

6

5

4

3

2

1

D

D

C

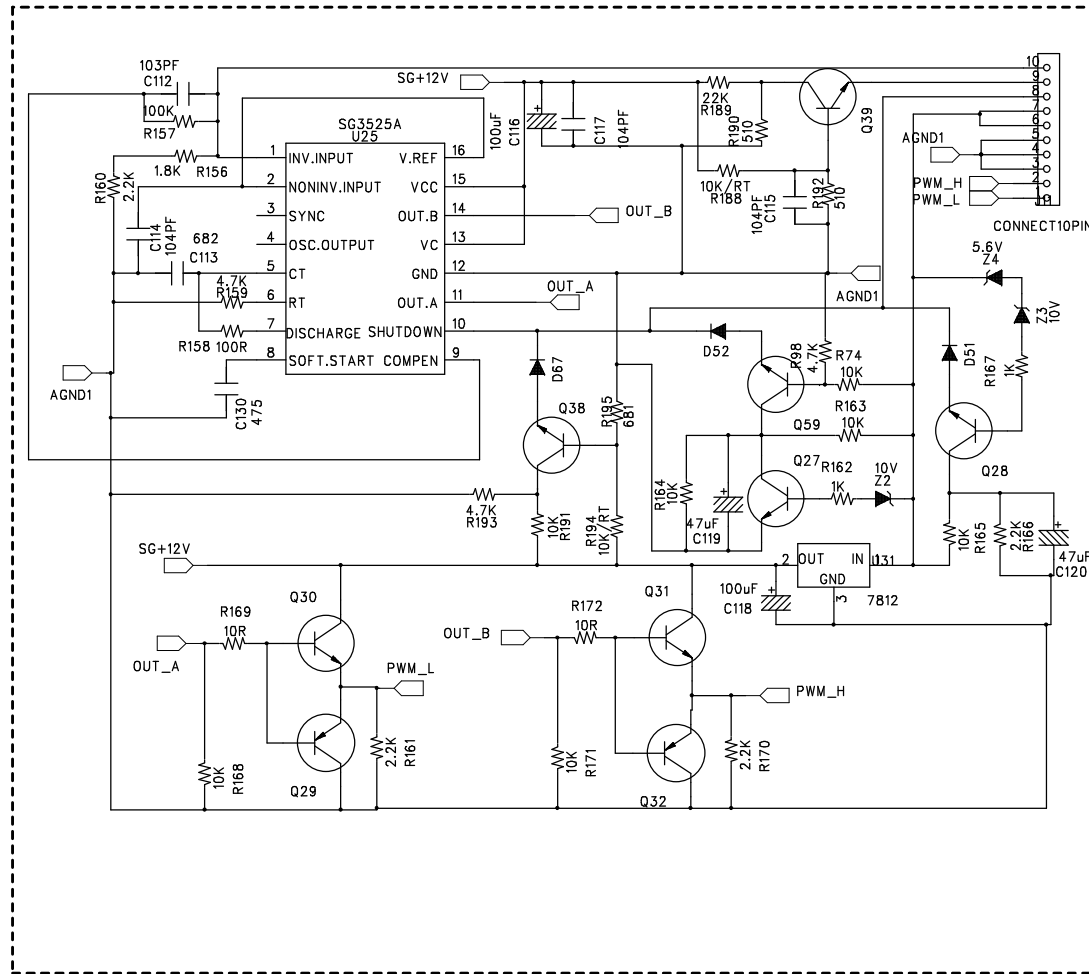
C

B

B

A

A



DRAWN:	DATED:	COMPANY:			
CHECKED:	DATED:	TITLE:			
QUALITY CONTROL:	DATED:	CODE:	SIZE:	DRAWING NO:	REV:
RELEASED:	DATED:	SCALE:			SHEET: OF