

6

5

4

3

2

1

D

D

C

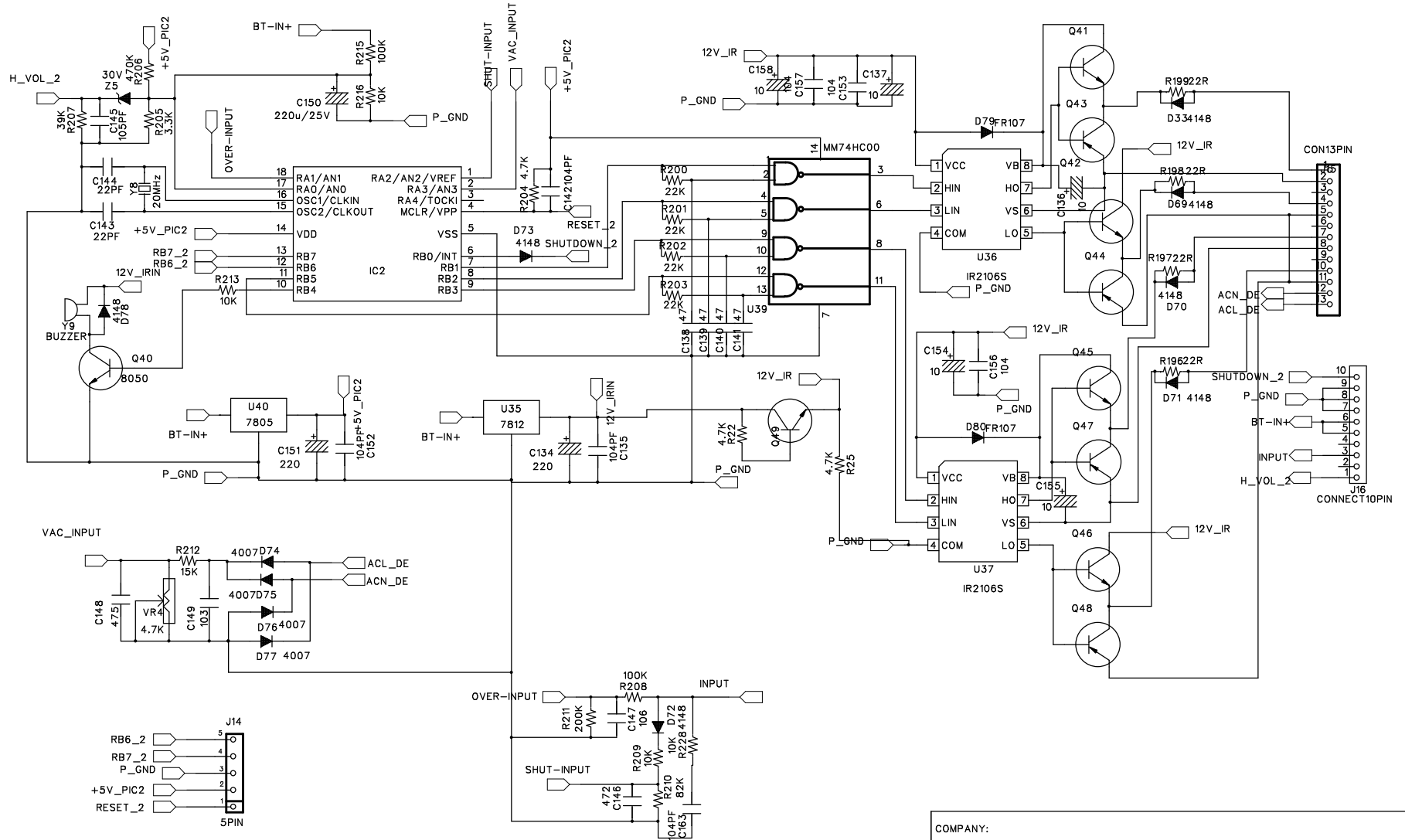
C

B

B

A

A



COMPANY:

TITLE:

CODE:	SIZE:	DRAWING NO:	REV:
	D		

SCALE:

SHEET: 1 OF 1

DRAWN:	DATED:
CHECKED:	DATED:
QUALITY CONTROL:	DATED:
RELEASED:	DATED: