

6

5

4

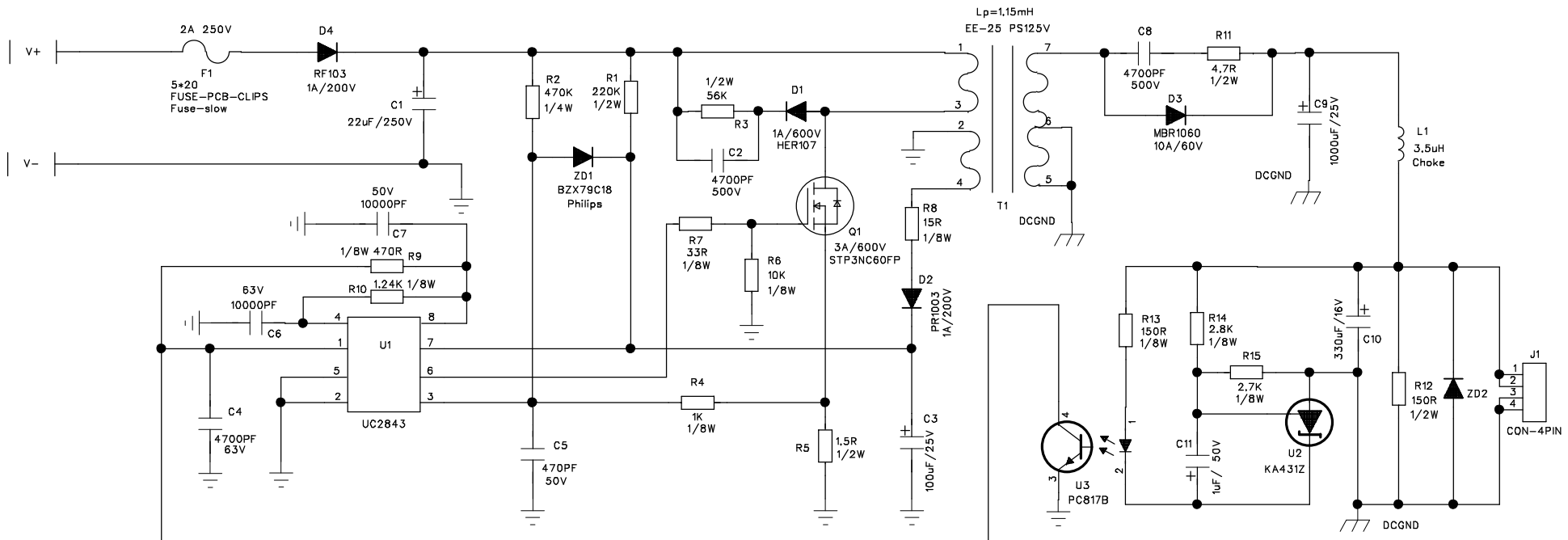
3

2

1

REVISION RECORD

LTR	ECO NO:	APPROVED:	DATE:



COMPANY:

IDEA CHIP TECHNOLOGY

TITLE:

LED09-125V

DRAWN:

Wilson

DATED:

CHECKED:

Wilson

DATED:

QUALITY CONTROL:

DATED:

RELEASED:

DATED:

CODE:

SIZE:

A3

DRAWING NO:

REV:

SCALE:

SHEET: 1 OF 1

D

D

C

C

B

B

A

A