

A

B

C

D

1

1

2

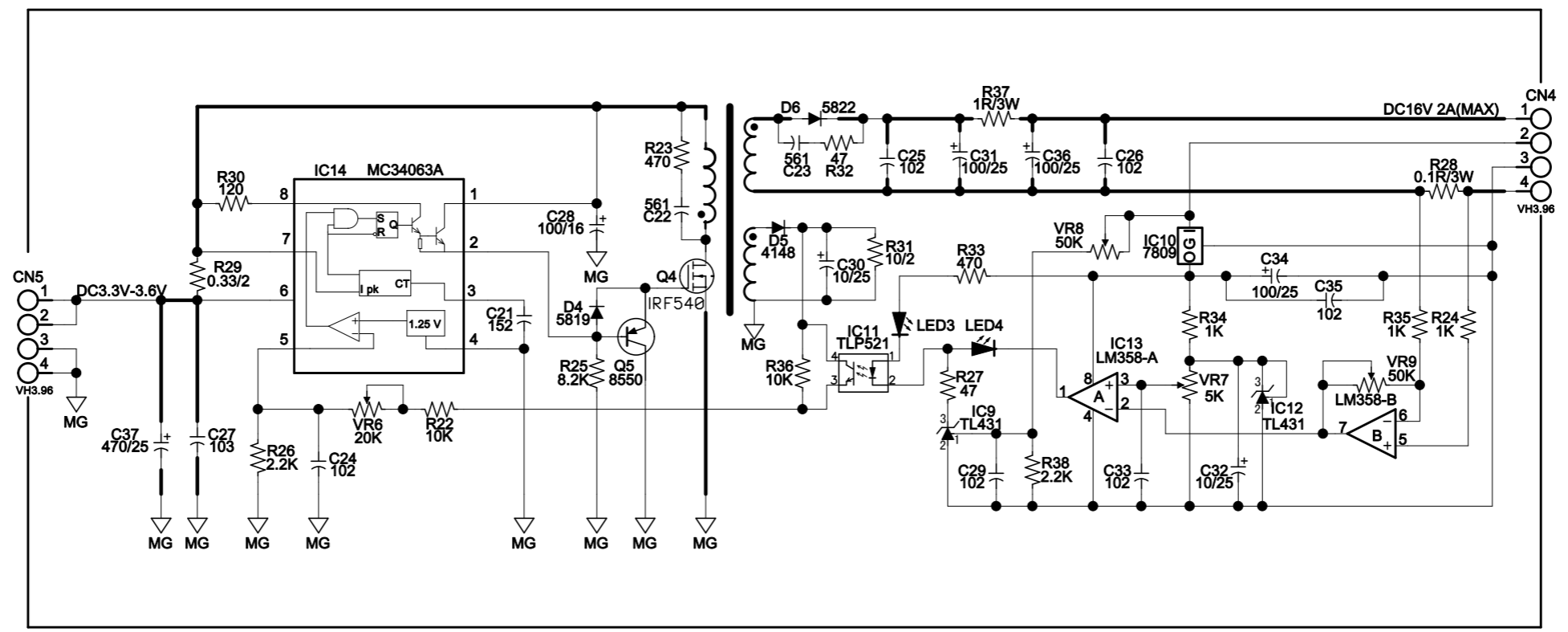
2

3

3

4

4



Title		
Size	Number	Rev
A4		
Date	Drawn by	
Filename	Sheet	of

A

B

C

D