

A

B

C

D

1

1

2

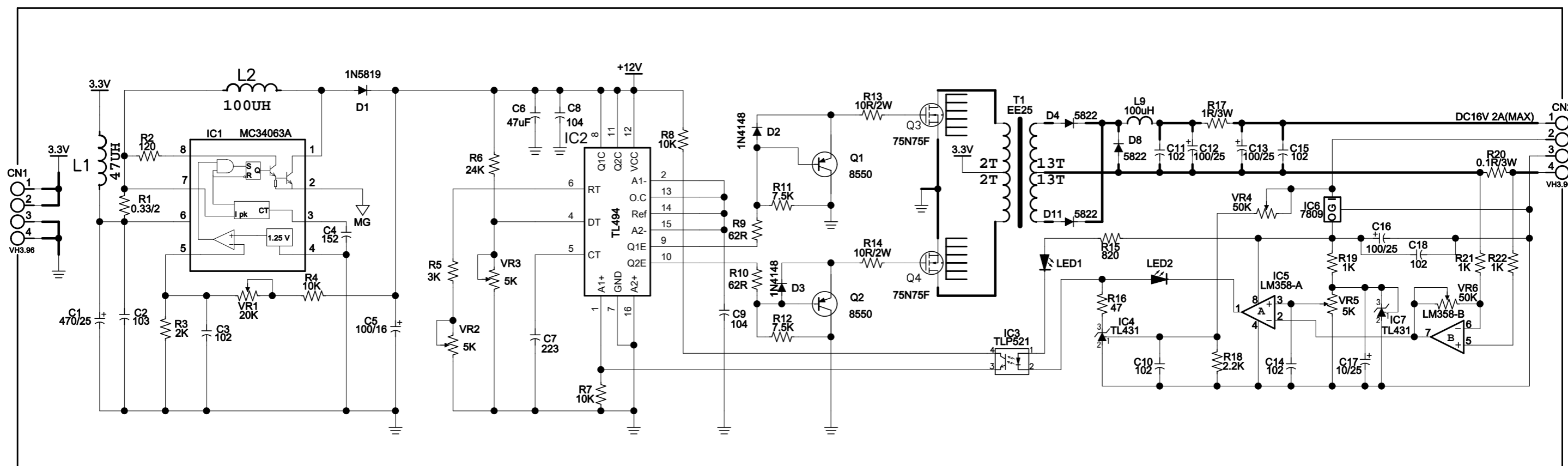
2

3

3

4

4



Title		
Size	Number	Rev
A4		
Date	Drawn by Xue Xiaozong	
Filename	Sheet 1 of 1	

A

B

C

D