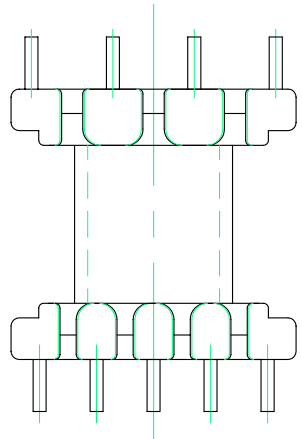
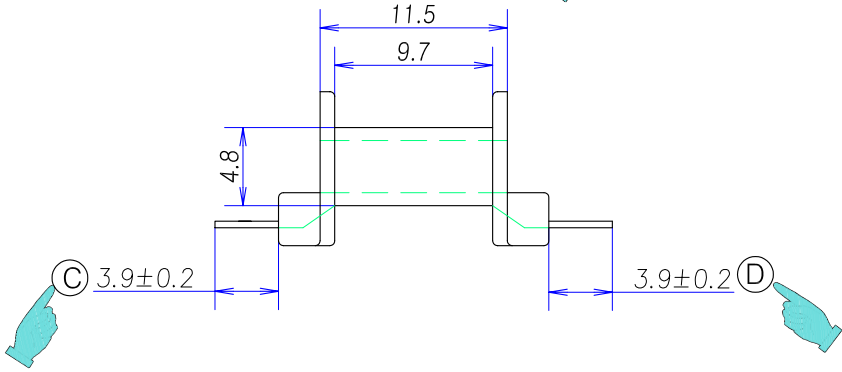
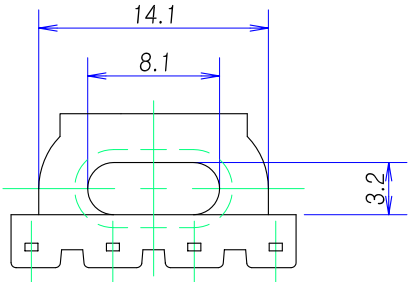
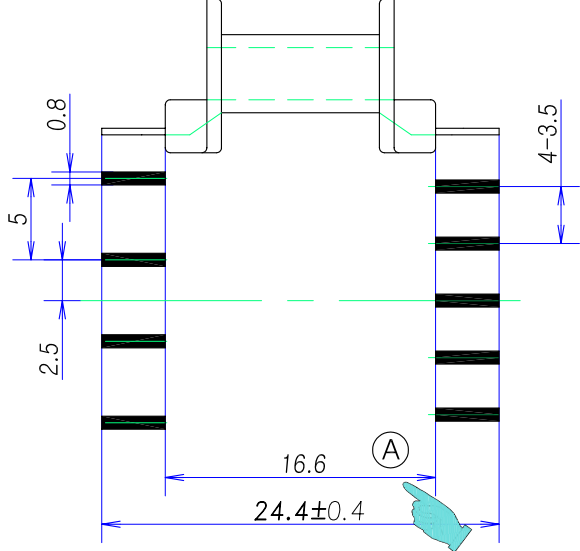
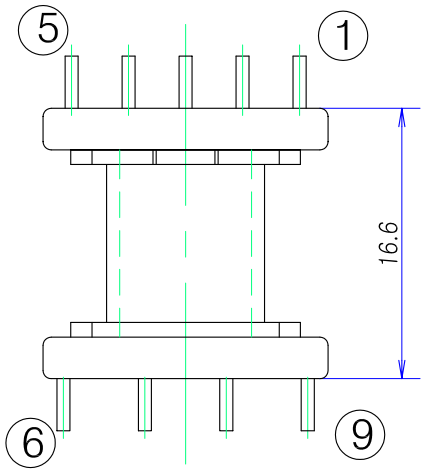


Model No <b>EPC17-SB</b>		Pin No <b>BS</b>	REVISIONS <b>01</b>	PIN OPTION <b>AB</b>	CHECK POINT <b>(A)</b>	<b>24.4±0.4</b>
Type <b>EFD TYPE SMD BOBBIN</b>		Drawing No <b>20030826</b>		<b>?</b>	<b>(B)</b>	
Core	Plastics Material	Pin Material	Soldering Spec	Pin Tension Load	<b>(C)</b>	<b>3.9±0.2</b>
<b>EPC1717</b>	<b>LCP 94V0</b>	<b>Phosphor Bronze</b>	<b>400°C 1-2sec</b>	<b>1.5kg/min</b>	<b>(D)</b>	<b>3.9±0.2</b>
					<b>(D1)</b>	



(5)				TOLERANCE	 <b>Chokwang.T</b> <a href="http://www.okck.com">http://www.okck.com</a> tel: 82-31-499-0300 (Fax: 499-177)			
(4)				0 < L ≤ 6 ±0.1				
(3)				6 < L ≤ 50 ±0.2				
(2)				50 < L ≤ 120 ±0.3				
(1)	05.02.28	핀 번호 및 양식 변경			Plot Date	DRAWN	CHECK	APPROVAL
REV.	DATE	REVISIONS	APPROVED	Third Angle Projection	05.04.29			