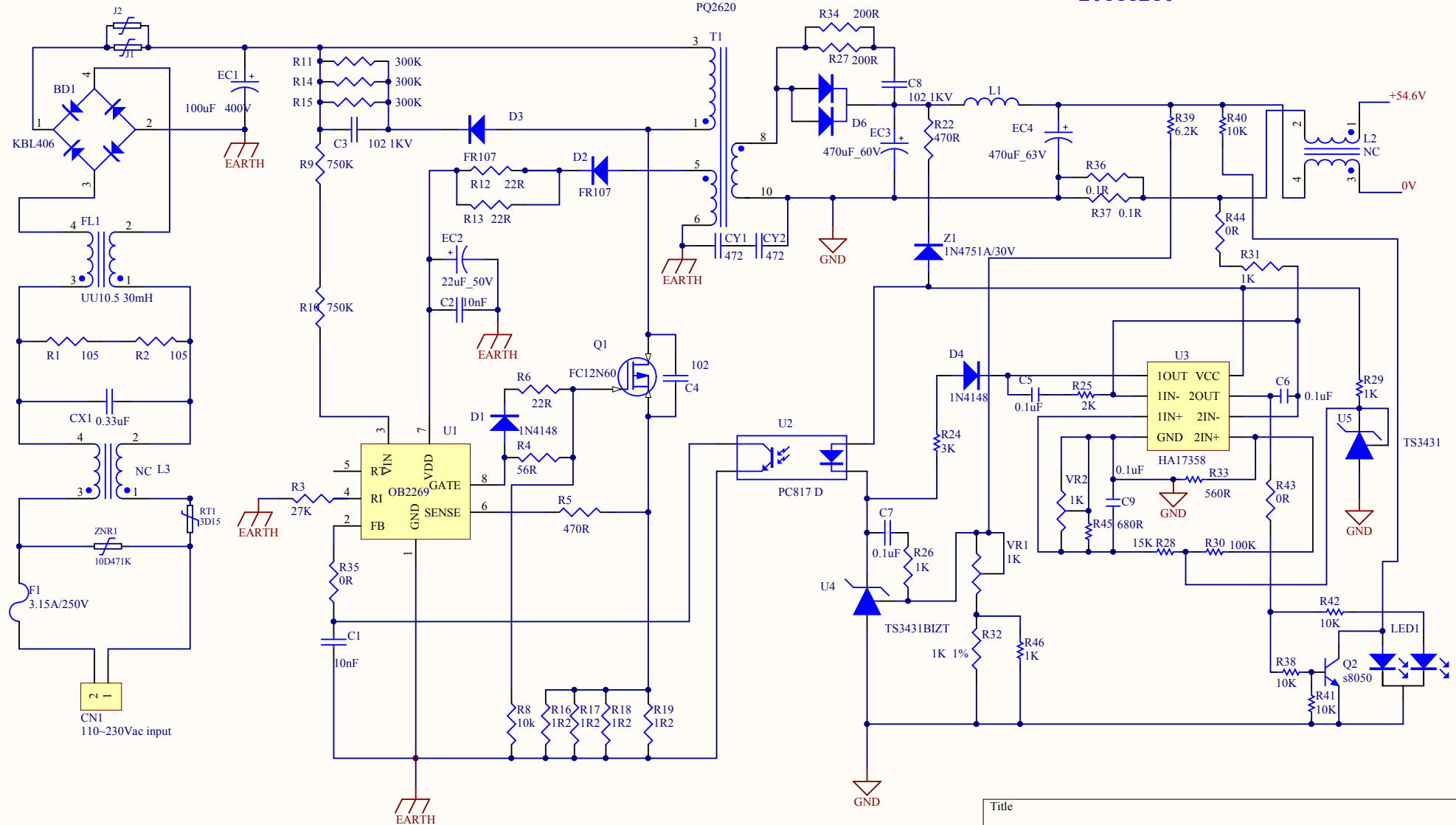


120W FLYBACK CONVERTER POWER SUPPLY I

20111210



Title		
Size	Number	Revision
A4		
Date:	2012-2-25	Sheet of
File:	D:\PROJECT\BAL-120P-54.6V2A.SchDoc	Drawn By: