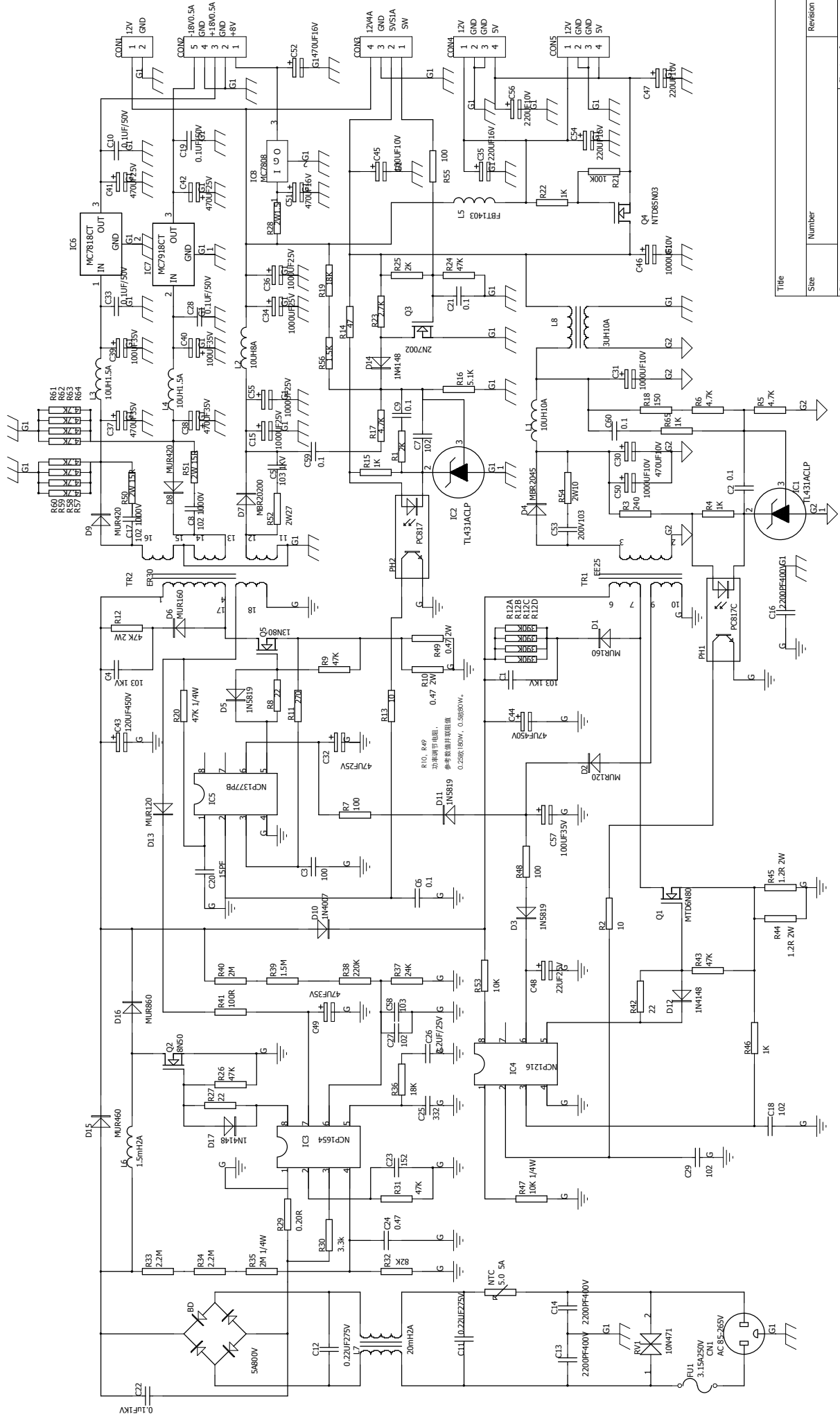


# XT150W AVD POWER SCH V3.0



Title	Revision
Size	Number
Date:	Sheet of
File:	Drawn By: