

BCC Series



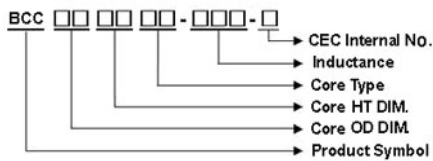
Feature

- Compact size and lightweight
- Excellent frequency characteristics

Applications

- For line filter of switching power supplies
- Countermeasures against static noise at power lines and signal lines
- For TVs, monitors and audio equipments
- For line filters of AC adapters, battery chargers, etc.

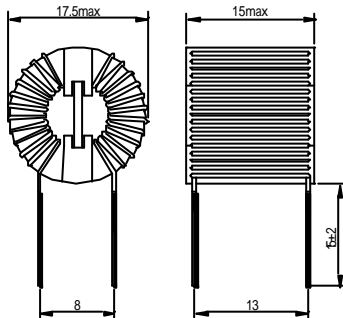
Product Identification



Electrical Specifications

| Part Number | Inductance (mH) Min | Rated Current (A) | DC Resistance (mΩ/line)Max | Wire Size (mm) |
|-----------------|---------------------|-------------------|----------------------------|-----------------|
| BCC1307RI-601-N | 0.6 | 1 | 60 | 0.4 |
| BCC1307RI-102-N | 1.0 | 1 | 70 | 0.4 |
| BCC1307RI-202-N | 2.0 | 1 | 100 | 0.4 |
| BCC1307RI-302-N | 3.0 | 1 | 120 | 0.4 |
| BCC1307RI-502-N | 5.0 | 1 | 150 | 0.4 |
| BCC1307RI-702-N | 7.0 | 1 | 200 | 0.4 |
| BCC1307RI-601-N | 0.6 | 2 | 50 | 0.5 |
| BCC1307RI-102-N | 1.0 | 2 | 60 | 0.5 |
| BCC1307RI-202-N | 2.0 | 2 | 70 | 0.5 |
| BCC1307RI-302-N | 3.0 | 2 | 85 | 0.45 |
| BCC1307RI-502-N | 5.0 | 2 | 95 | 0.45 |
| BCC1307RI-601-N | 0.6 | 3 | 30 | 0.6 |
| BCC1307RI-102-N | 1.0 | 3 | 35 | 0.6 |

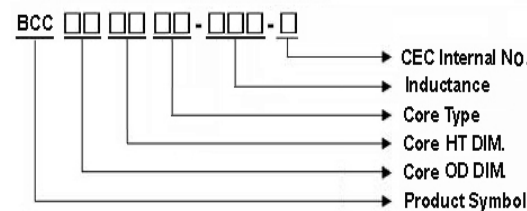
Shapes and Dimensions



Unit: mm

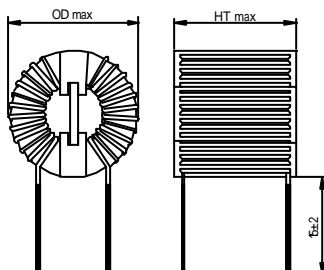
- Inductance measurement condition: 1KHz HP-4263B
- Note: lead-free
- Customized specifications are also welcome.

Product Identification



- Core Material (Mu-Zn)

Shapes and Dimensions



Dimensions in mm

| Part Number | Case OD | Case HT |
|-------------|---------|---------|
| BCC1608RI- | 17.5 | 12 |
| BCC1810RI- | 19.5 | 14 |
| BCC2208RI- | 23.5 | 12 |
| BCC2513RI- | 26.5 | 17 |
| BCC3113RI- | 32.5 | 17 |

- Note: lead-free
- Customer's specifications are also welcome.