

3 Circuit Diagram

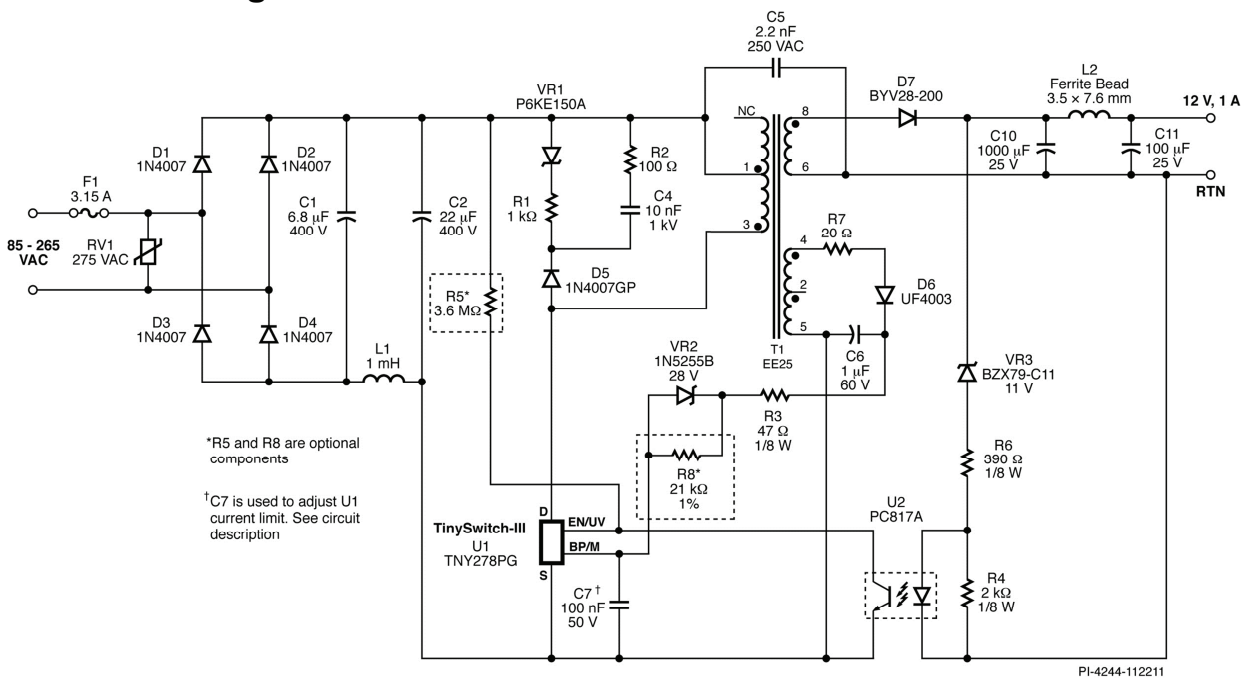


Figure 2 – Schematic.

