

6

5

4

3

2

1

| REVISION RECORD |         |           |       |
|-----------------|---------|-----------|-------|
| LTR             | ECO NO: | APPROVED: | DATE: |
|                 |         |           |       |
|                 |         |           |       |
|                 |         |           |       |

D

D

C

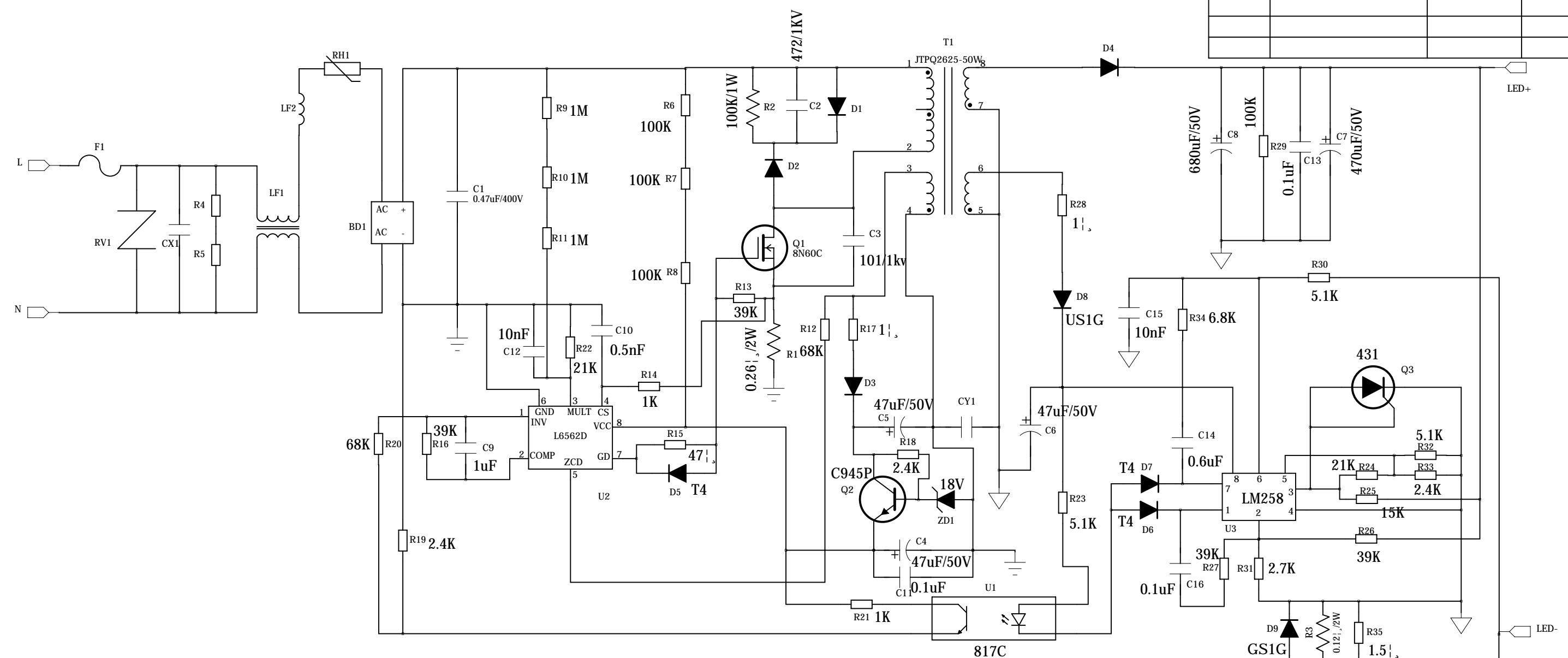
C

B

B

A

A



COMPANY: <Company Name>

TITLE: 50W Constand Current Driver

|                             |                          |
|-----------------------------|--------------------------|
| DRAWN:<br><Drawn By>        | DATED:<br><Drawn Date>   |
| CHECKED:<br><Checked By>    | DATED:<br><Checked Date> |
| QUALITY CONTROL:<br><QC By> | DATED:<br><QC Date>      |
| RELEASED:<br><Released By>  | DATED:<br><Release Date> |

|                    |                   |                           |                  |
|--------------------|-------------------|---------------------------|------------------|
| CODE:<br><b>01</b> | SIZE:<br><b>B</b> | DRAWING NO:<br><b>50W</b> | REV:<br><b>A</b> |
| SCALE: <Scale>     |                   |                           | SHEET: 1 of 1    |