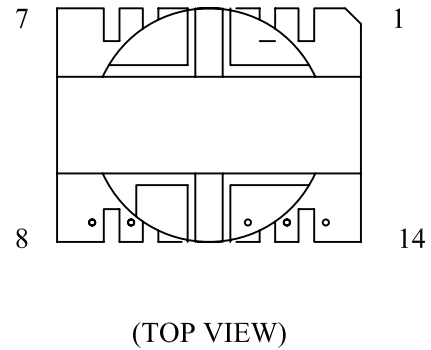
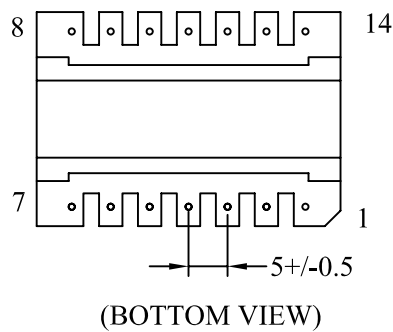
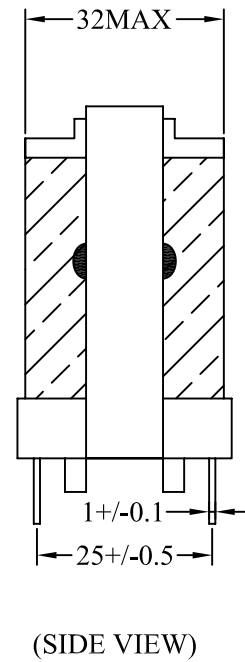
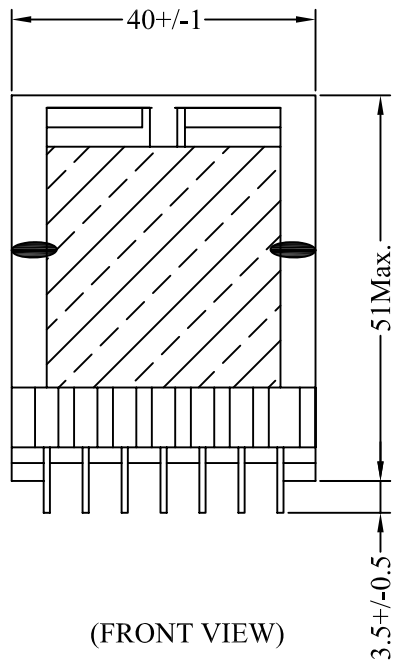


已修订
11-11-02, 15:09

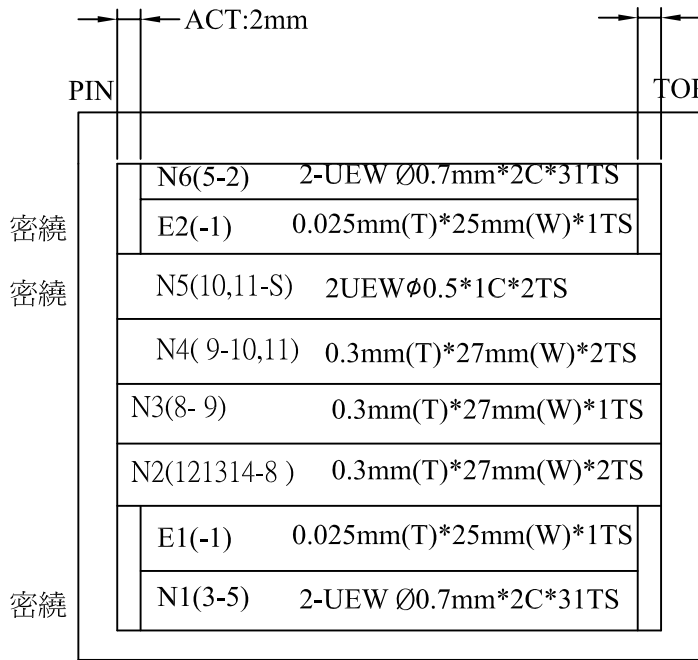


NOTE:

1. PIN6 7 CUT OFF , PIN5 CUT OFF 1/2
2. N2 N3 N4为0.3*27的铜带, 不用截断
3. S端出线从PIN10旁边出线长10MM加套管
4. 所有出线均加铁弗隆套管
5. PIN13挂0.8*2C, PIN12 13 8 9 10 均挂0.8*3C
6. 铁芯需点胶及含浸处理。
7. E1 E2需加引线0.5*1C挂PIN1.

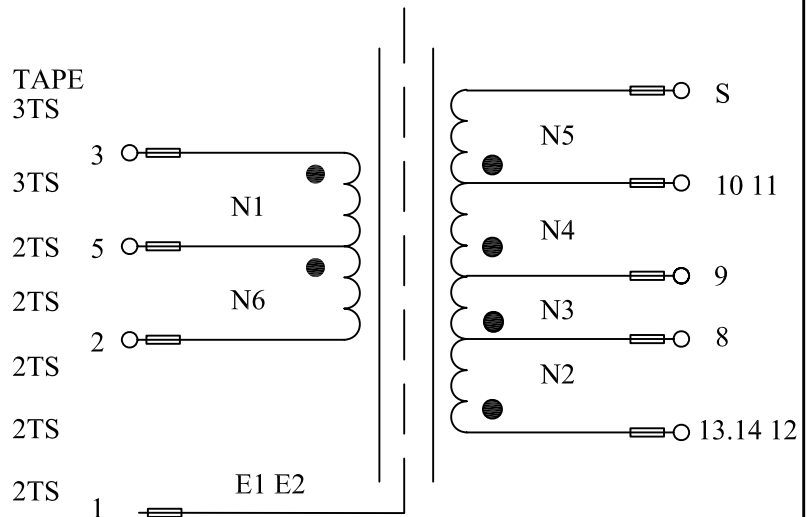
DESCRIPTION	ATX12V	REV:	1
PART NO.	T1	PAGE:	2 / 3
MODEL	750W	DATE:	

2. WINDING SEQUENCE:

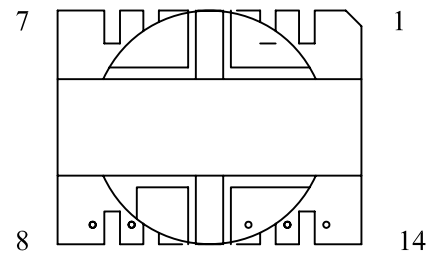


BOBBIN: ERL-39

3. SCHEMATIC DIAGRAM:



— TEFLON TUBE
(TOP VIEW)



4. ELECTRICAL SPECIFICATION:

4-1. INDUCTANCE: (1kHz 0.25V)

L(3-2)=7mH Min.

4-2. LEAKAGE INDUCTANCE: (1kHz 0.25V)

LK(3-2)=15uH Max. (ALL SECONDARY PIN SHORT)

4-3. DC RESISTANCE:

R(3-2)=120mΩ Max.

4-4. HI-POT TEST: AC 60Hz

APPLY 3750V/5mA BETWEEN PRIMARY TO SECONDARY FOR 1~3 SECONDS.

APPLY 2200V/5mA BETWEEN PRIMARY TO CORE 1~3 SECONDS.

APPLY 2200V/5mA BETWEEN SECONDARY TO CORE FOR 1~3 SECONDS.

4-5. INSULATION RESISTANCE: DC 500V

BETWEEN PRIMARY TO SECONDARY, PRIMARY TO CORE, SECONDARY TO CORE,
THE INSULATION RESISTANCE MORE THAN 100MOHM Min.

APPROVED BY	CHECKED BY	PREPARED BY

DESCRIPTION			REV: 1
PART NO.	T1		PAGE: 3 / 3
MODEL	750W		DATE:

5. MATERIAL REQUIREMENT

NO.	NAME	BRAND / MATERIAL	SUPPLIER OF MANUAL	SAFETY
1	WIRE	COPPER WIRE	PACIFIC ELECTRIC WIRE & CABLE CO.,LTD.	RECOGNIZED
2	BOBBIN	ERL-39		RECOGNIZED
3	CORE	ERL-39		RECOGNIZED
4	VARNISH			
5	TUBE	TEFLON TUBE		RECOGNIZED
6	MARGIN			

--	--	--

APPROVED BY	CHECKED BY	PREPARED BY