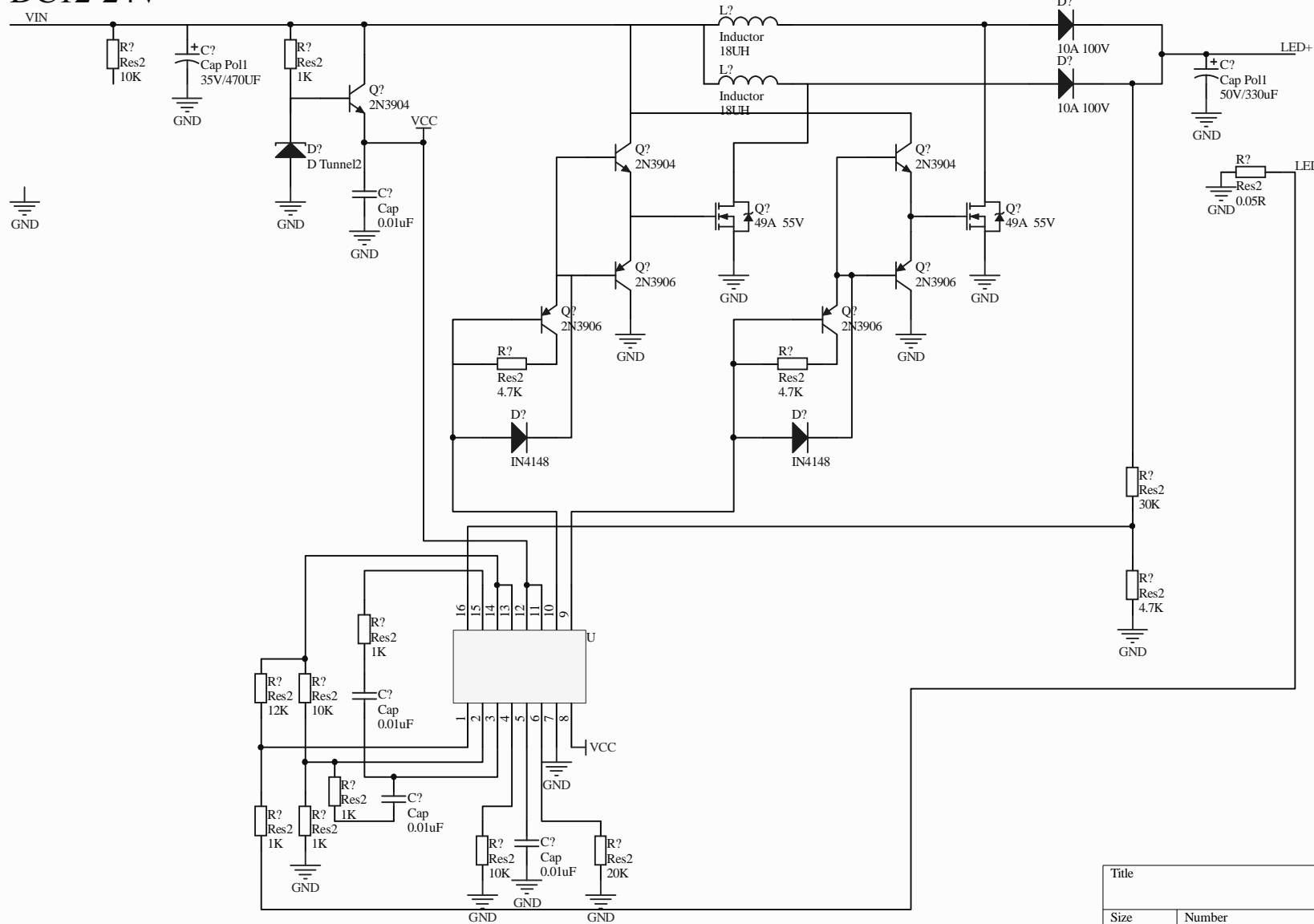


DC12-24V

30-36V 1.5A



Title		
Size	Number	Revision
A4		
Date:	2012/8/17	Sheet of
File:	C:\Users\A\DC-DC50W.SchDoc	Drawn By: