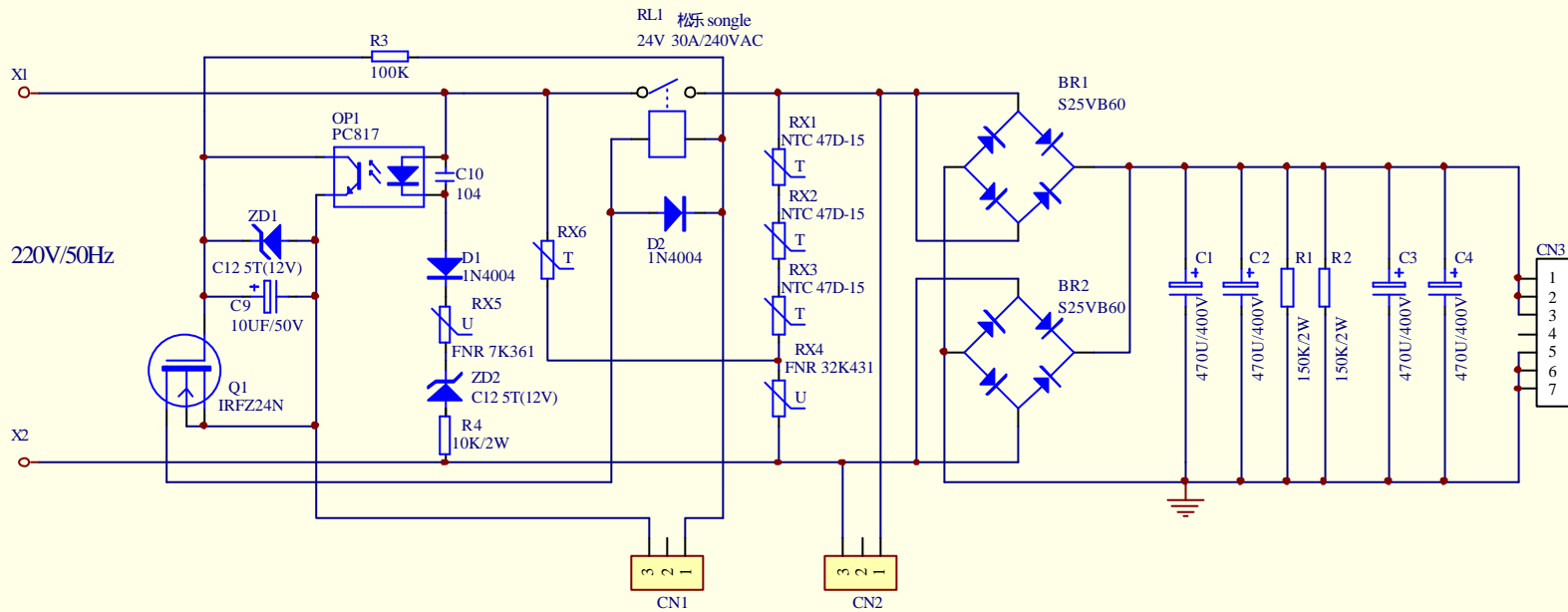
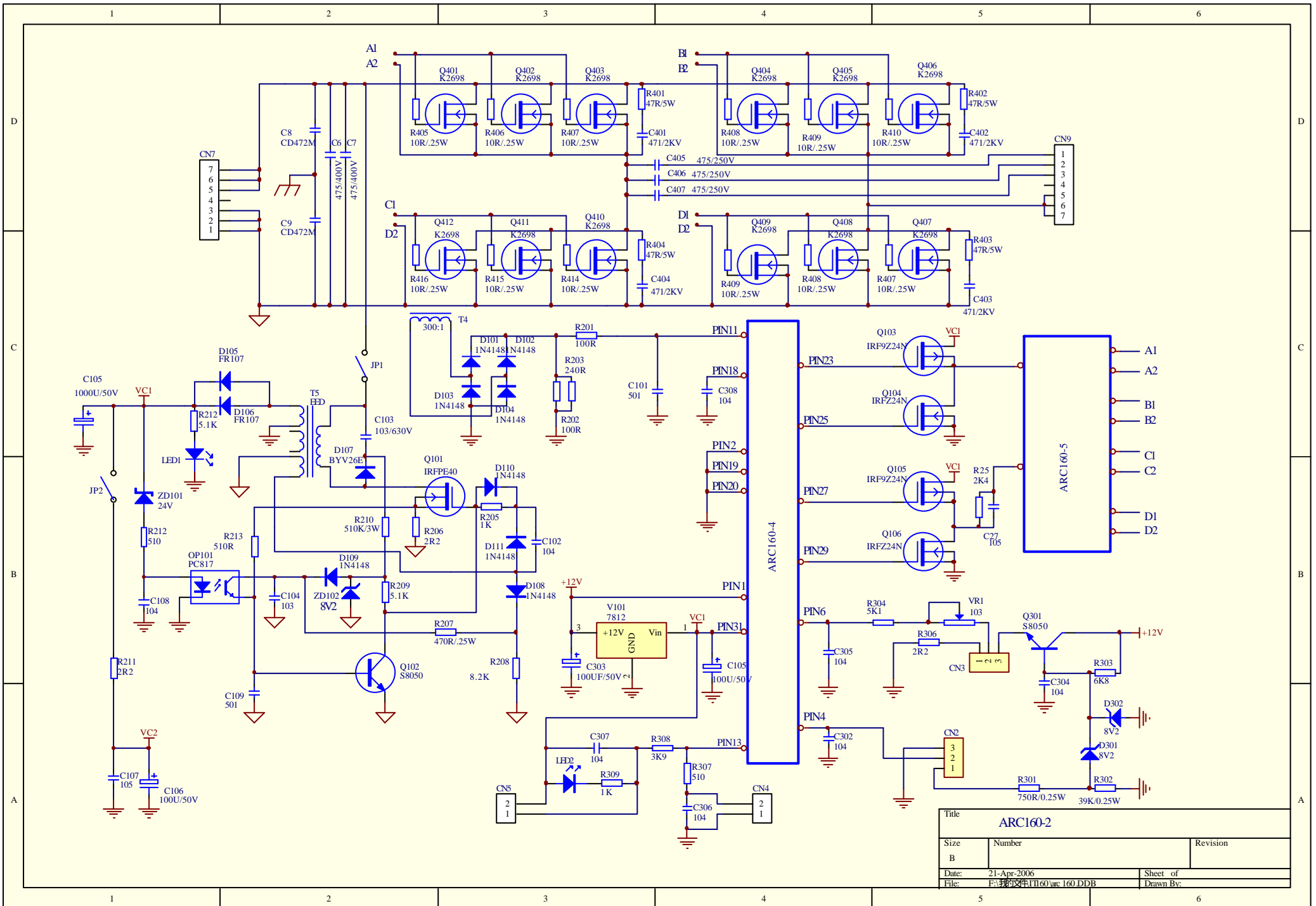


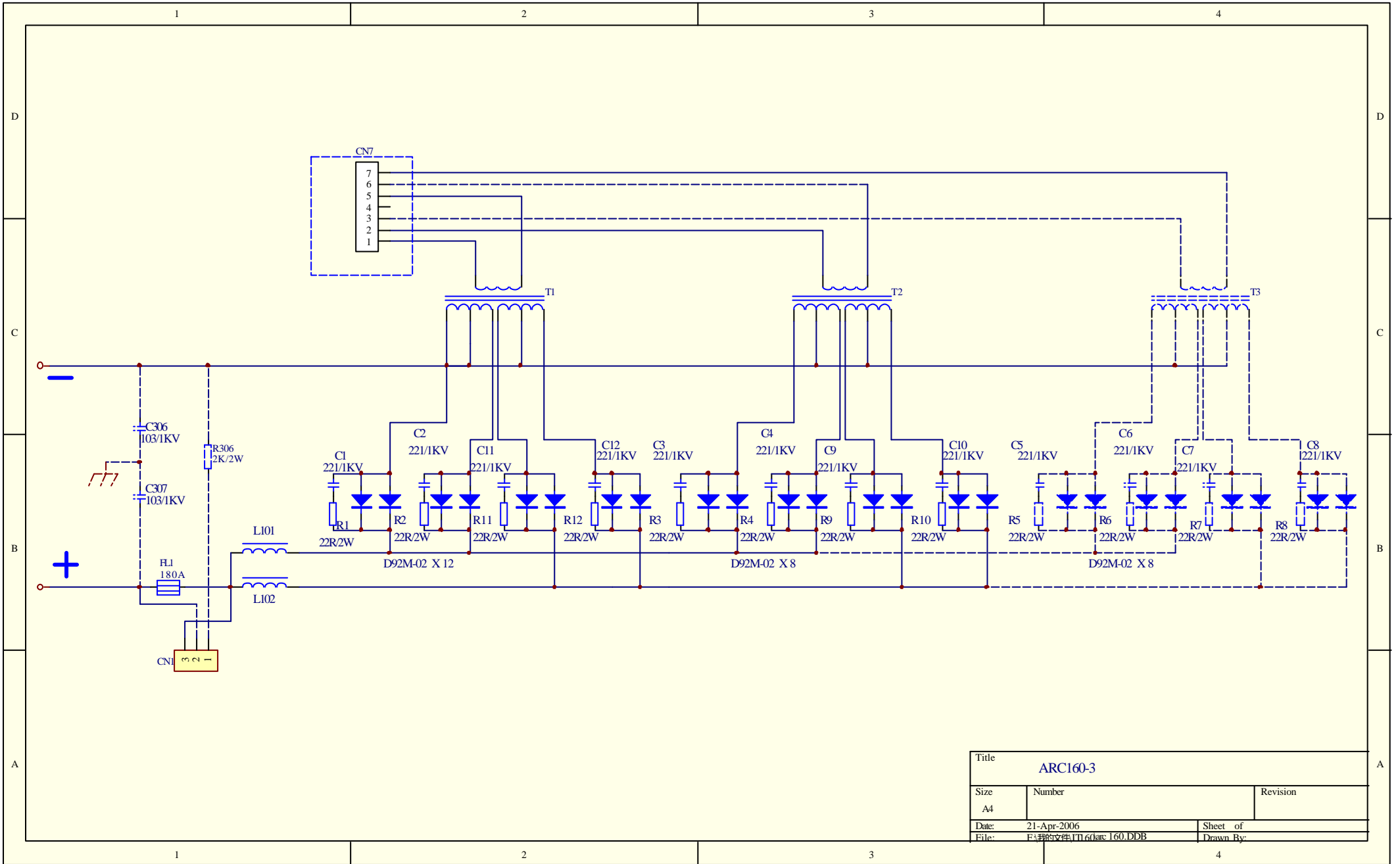
Title			ARC160		
Size	Number		Revision		
A4					
Date:	21-Apr-2006		Sheet of		
File:	E:\我的文件\IT160\arc 160.DDB		Drawn By:		



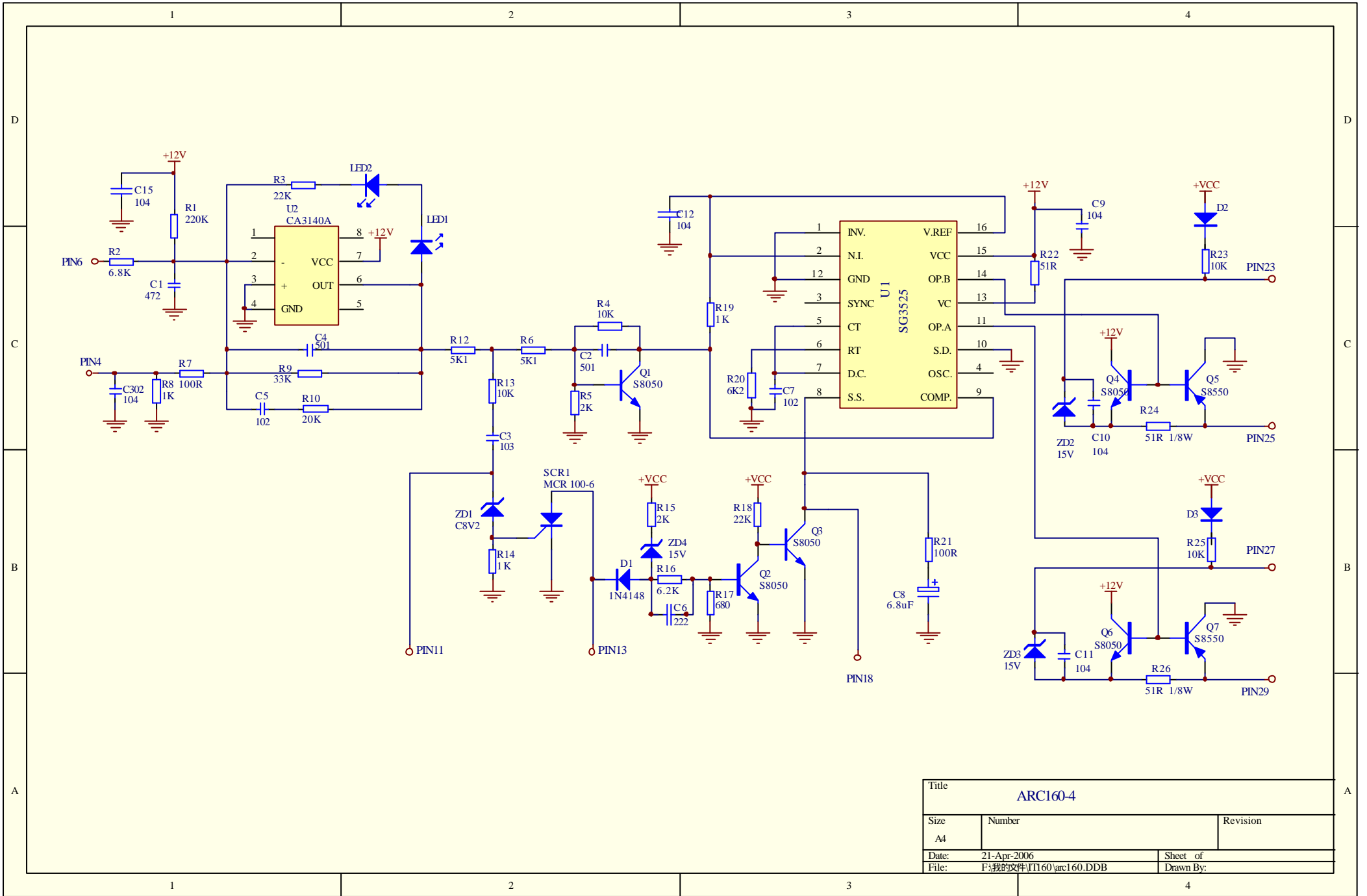
Title		
ARC160-1		
Size	Number	Revision
A4		
Date:	21-Apr-2006	Sheet 1 of
File:	F:\我的文件\IT160\arc160.DDB	Drawn By:



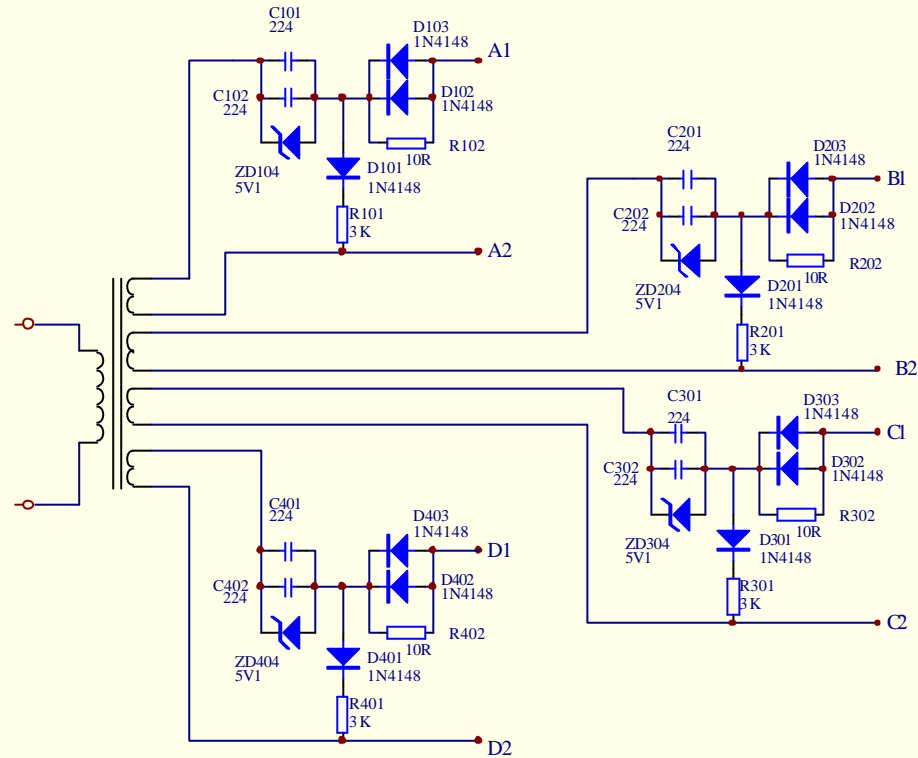
Title		
ARC160-2		
Size	Number	Revision
B		
Date:	21-Apr-2006	Sheet of
File:	F:\PCB\ARC160\arc160.DDB	Drawn By:



Title		
ARC160-3		
Size	Number	Revision
A4		
Date:	21-Apr-2006	Sheet of
File:	F:\项目\ARC160\arc 160.DDB	Drawn By:



Title		
ARC160-4		
Size	Number	Revision
A4		
Date:	21-Apr-2006	Sheet of
File:	F:\我的文件\IT160\arc160.DDB	Drawn By:



Title		
ARC160-5		
Size	Number	Revision
A4		
Date:	21-Apr-2006	Sheet of
File:	F:\我的文件\IT160\arc160.DDB	Drawn By: