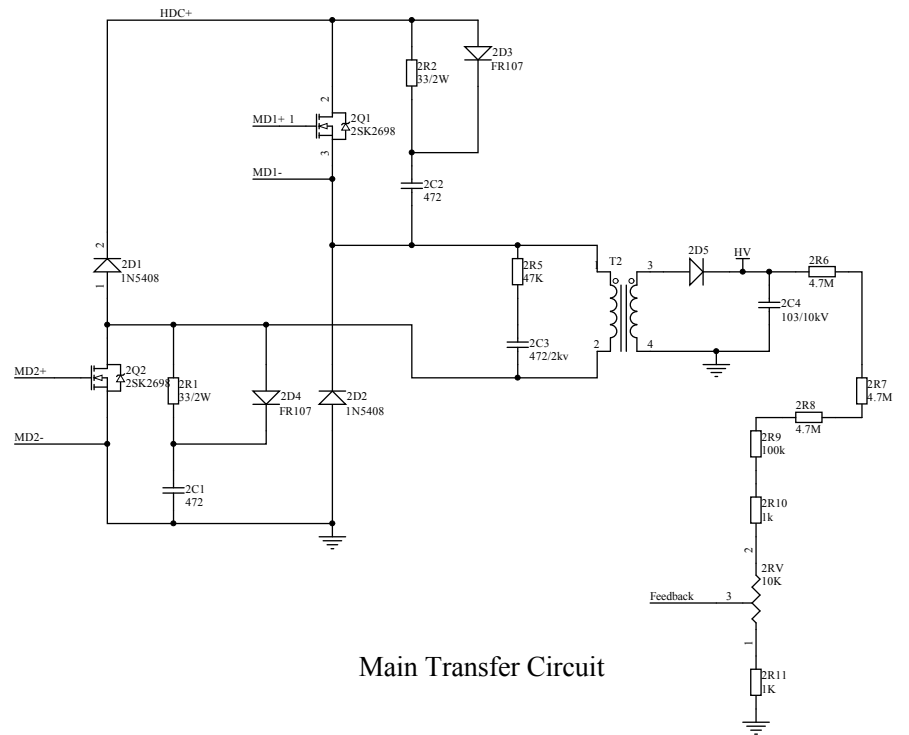
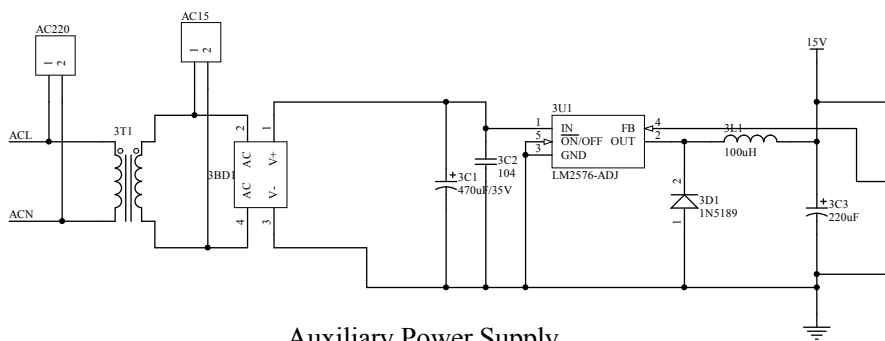


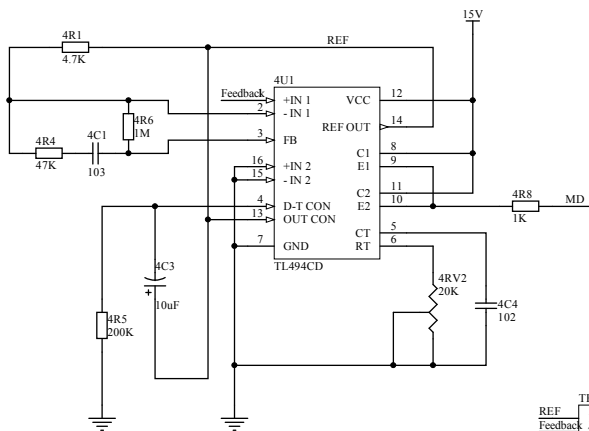
EMI Filter



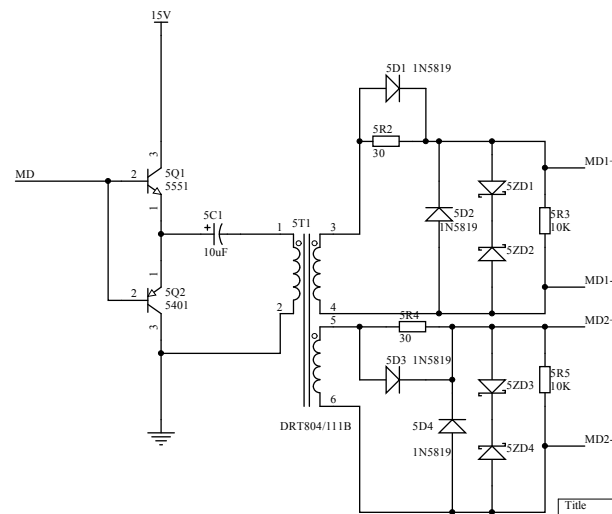
Main Transfer Circuit



Auxiliary Power Supply



PWM Control



MOSFET Drive

Title		
Size	Number	Revision
A3		
Date:	2012-9-7	Sheet of
File:	C:\Documents and Settings\...HV Switch\...SCHDOC	