

Green-Mode PWM Controller below 100mW Standby Power

Features

- Current mode PWM control
- Standby power below 100mW solution
- Under voltage lockout (UVLO)
- Non-audible-noise green-mode control
- Programmable switching frequency
- Internal leading-edge blanking
- Internal slope compensation
- Internal soft start
- Gate output voltage clamp
- Jitter and soft driving for reducing EMI
- Over-voltage protection (OVP) on VCC pin
- Over-load protection (OLP)
- Over-current protection (OCP) on CS pin

Description

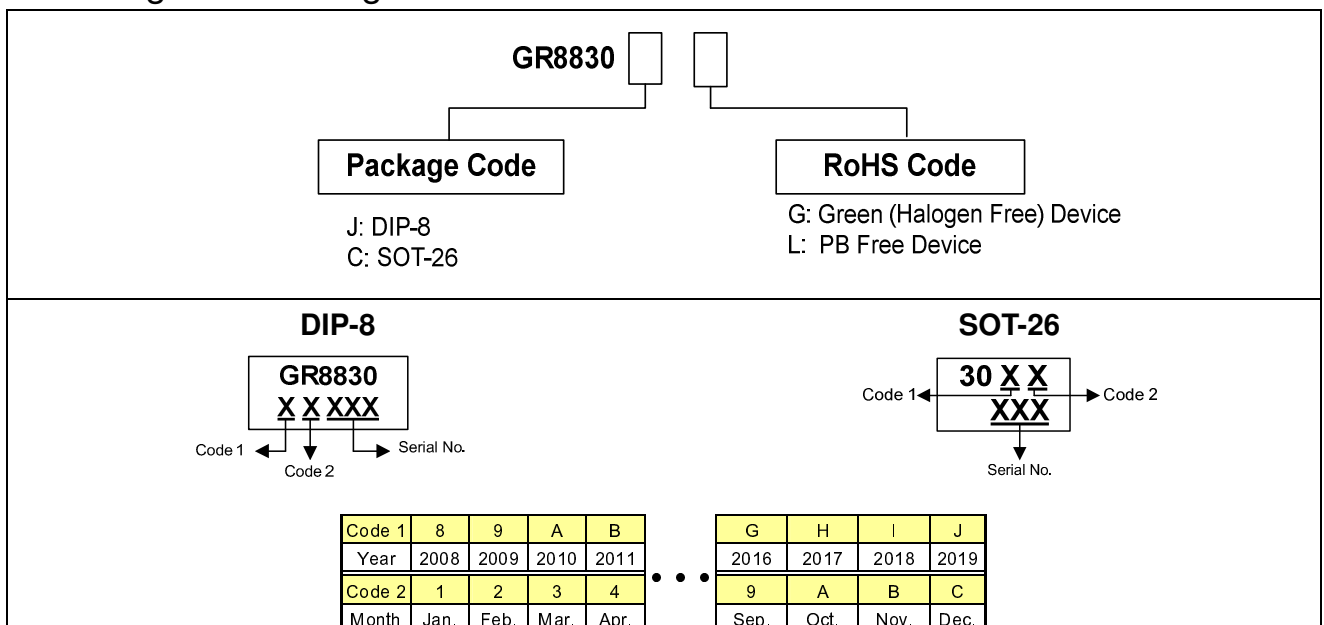
The GR8830 is a highly-integrated, low startup current, current mode PWM controller with Green-mode function. This function enables the power supply to easily meet even the strictest power conservation requirements. The integrated functions also include the leading-edge blanking of the current sensing, internal slope compensation, cycle-by-cycle peak current limiting, and soft start. OLP, OCP and OVP provide protection performance for fault conditions. For protecting the external power MOSFET from being damaged by supply over voltage, the GR8830 OUT pin voltage is clamped to about 13V.

The GR8830 improves the performance and reduces the cost of power supplies. It is with both DIP-8 and SOT-26 package.

Applications

- Switching AC/DC power adaptor
- Battery charger
- Open-frame SMPS

Ordering and Marking Information



Greenergy OPTO Inc. reserves the right to make changes to improve reliability or manufacture ability without notice, and advise customers to obtain the latest version of relevant information to verify before placing orders.

Pin Configuration



Pin Description

Pin No.	Name	Function
1	GND	Ground
2	COMP	Voltage feedback pin, by connecting a photo-coupler to control the duty cycle
3	RT	Connecting a resistor to ground to set the switching frequency
4	CS	Current sense pin, connect to sense the MOSFET current
5	VCC	Power Supply pin
6	OUT	The output driver for driving the external MOSFET

Note: Pin No. is only for SOT-26 package, DIP-8 see Pin Configuration.

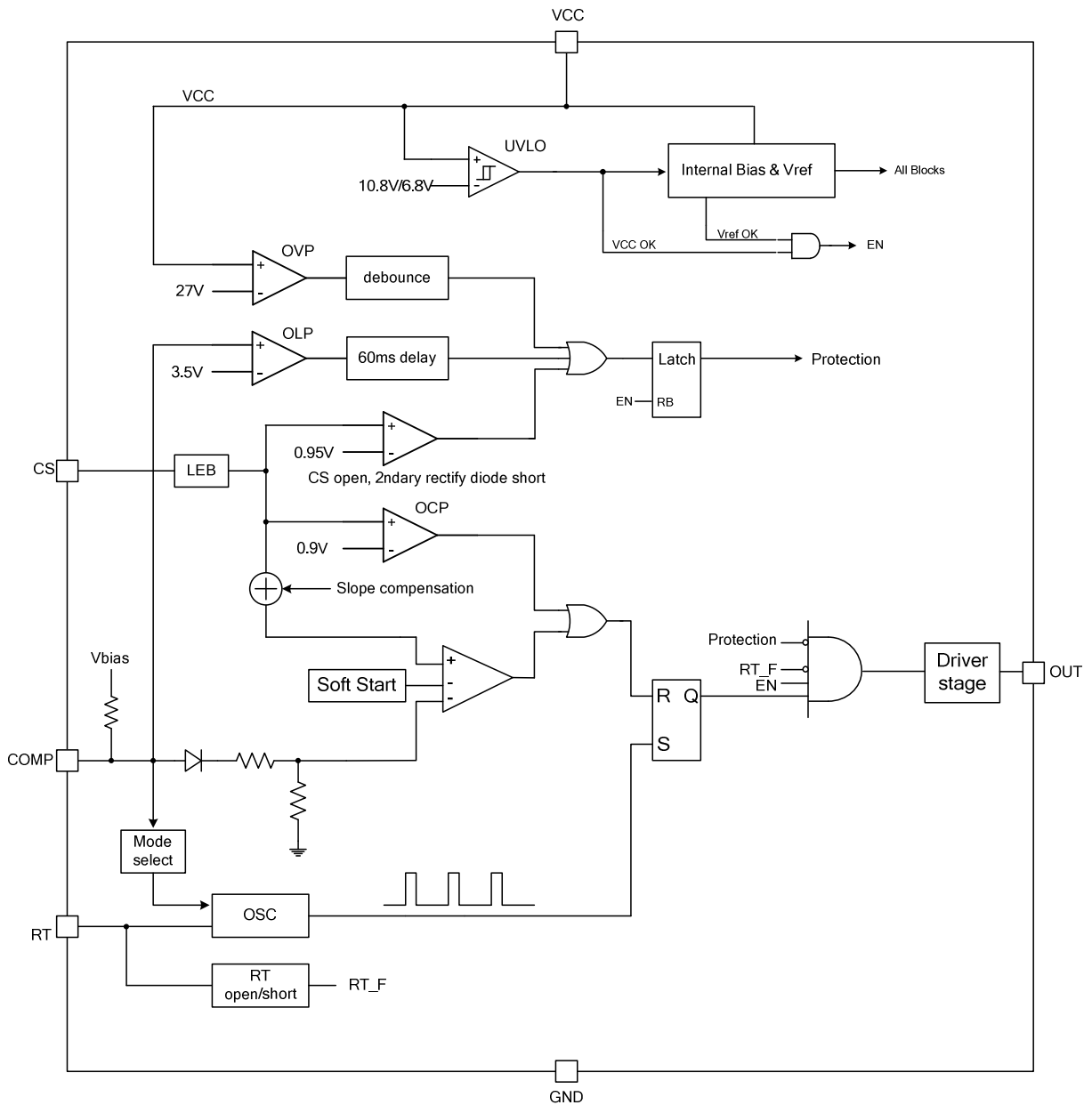
Absolute Maximum Ratings

Supply voltage VCC	30V
COMP, RT, CS	-0.3 ~ 7V
OUT	-0.3 ~ Vcc+0.3V
Junction temperature	150°C
Operating ambient temperature	-20°C ~ 85°C
Storage temperature range	-65°C ~ 150 °C
SOT-26 package thermal resistance	250°C/W
Power dissipation (SOT-26, at ambient temperature = 85°C)	250mW
Power dissipation (DIP-8, at ambient temperature = 85°C)	650mW
Lead temperature (All Pb free packages, soldering, 10 sec)	260°C
ESD voltage protection, human body model	2KV
ESD voltage protection, machine model	200V

Recommended Operating Conditions

Item	Min.	Max.	Unit
Supply voltage VCC	12	25	V
Switching frequency	50	130	KHz

Block Diagram





Electrical Characteristics (VCC = 15.0V and TA = +25°C, unless otherwise specified)

Parameter	Pin	Min.	Typ.	Max.	Unit
-----------	-----	------	------	------	------

SUPPLY VOLTAGE

Startup current	5		8	15	uA
Operating current (with 1nF load on OUT pin), Vcomp = 0V	5		1.5		mA
Operating current (with 1nF load on OUT pin), Vcomp = 2.5V	5		2.5		mA
Operating current (with 1nF load on OUT pin), protection tripped (OLP, OVP)	5		0.6		mA
UVLO (off)	5		6.8		V
UVLO (on)	5		10.8		V
OVP level on VCC pin	5	26	27	28	V

VOLTAGE FEEDBACK

Open loop voltage, COMP pin open	2			5	V
Green-mode threshold voltage	2		1.8		V

CURRENT SENSING

Maximum input voltage, Vcs (off)	4	0.85	0.9	0.95	V
Minimum input voltage at 0% duty, Vcs (off)			0.6		V
Leading-edge blanking time	4		350		nS
Input impedance	4	1			MΩ
Delay to output	4		100		nS

OSCILLATOR

Frequency (RT = 100KΩ)	3	60	65	70	KHz
Jitter frequency	3		±6		%
Green mode frequency (RT = 100KΩ)	3	20		25	KHz
Temp. stability (-40°C ~ 110°C)	3			3	%
Voltage stability (Vcc = 11V ~ 25V)	3			1	%

GATE DRIVER OUTPUT

Output low level, VCC = 15V, Io = 10mA	6			1	V
Output high level, VCC = 15V, Io = 10mA	6	8			V
Rising time, load capacitance = 1000pF	6		200		nS
Falling time, load capacitance = 1000pF	6		80		nS
VGATE-clamp (at VCC = 20V)	6	12	13	14	V

OLP

OLP trip level, Vcomp (OLP)	-		3.5		V
OLP delay time (note), Fs = 65KHz	-		60		mS

PWM Section

Maximum duty cycle	-	70	75	80	%
--------------------	---	----	----	----	---

Typical Performance Characteristics

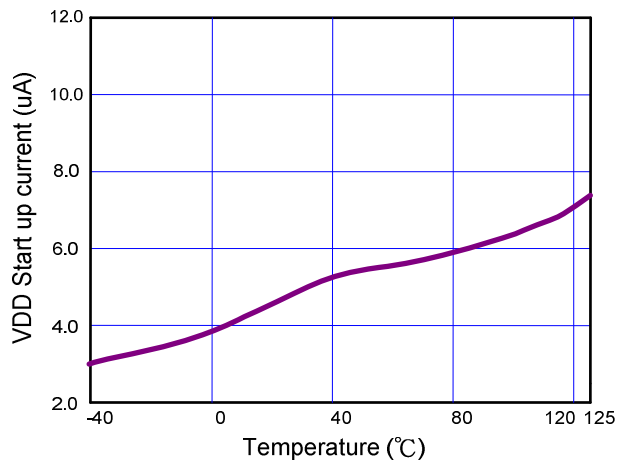


Fig. 1 VDD Start up current vs. Temperature

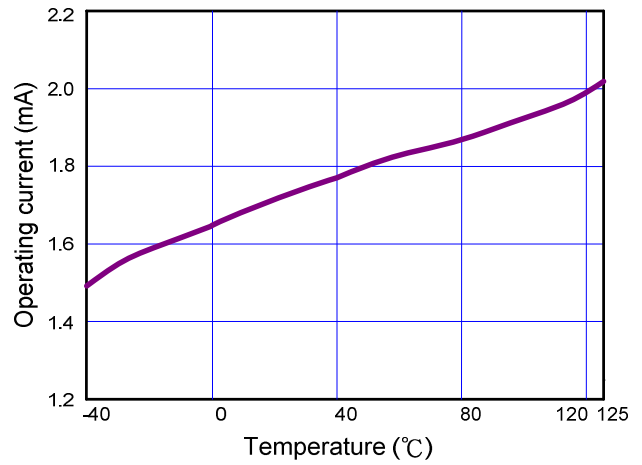


Fig. 2 Operating current vs. Temperature

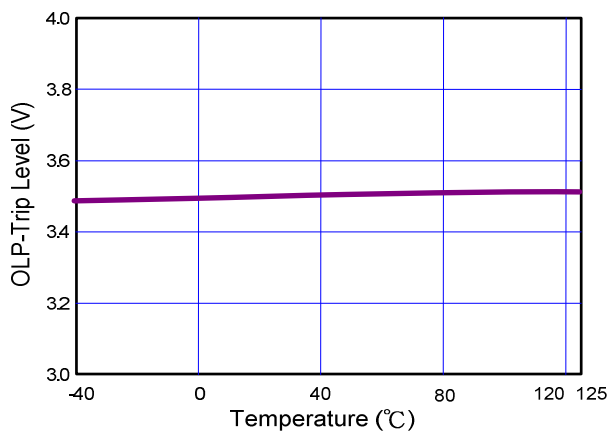


Fig. 3 OLP Trip Level vs. Temperature

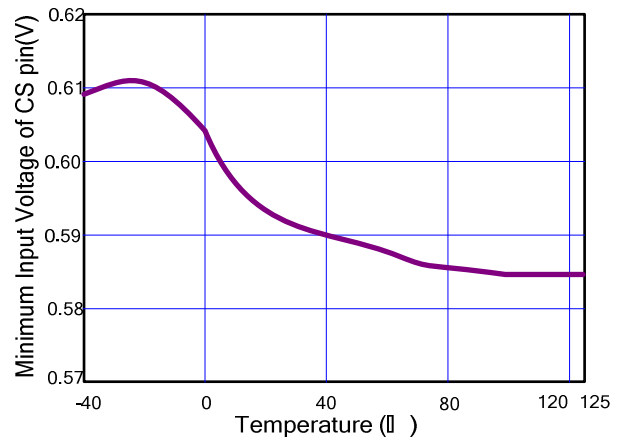


Fig. 4 Minimum Input Voltage of CS pin vs. Temperature

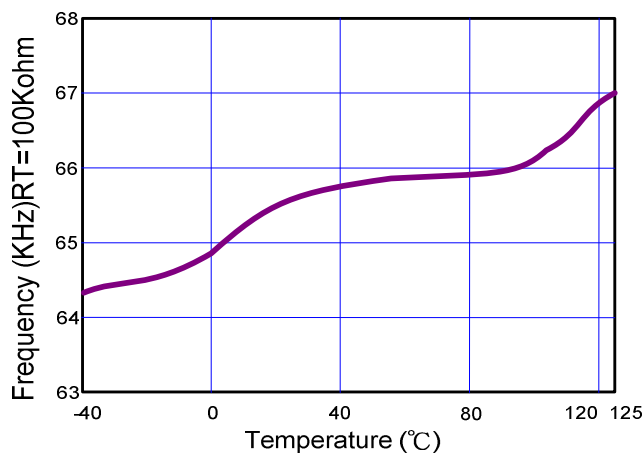


Fig. 5 Frequency vs. Temperature

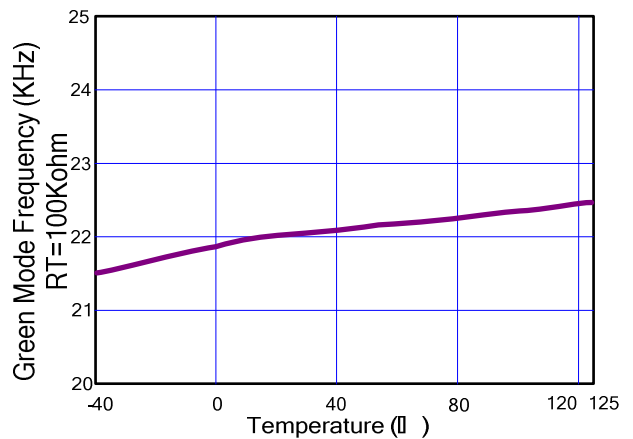


Fig. 6 Green Mode Frequency vs. Temperature

Application Information

Start-up Current

The typical start-up current is around 8uA. Very low start-up current allows the PWM controller to increase the value of start-up resistor and then reduce the power dissipation on it.

Under-voltage Lockout (UVLO)

A hysteresis UVLO comparator is implemented in GR8830, once the VCC rises above UVLO (on) voltage, the controller starts to switch with a soft start period. It will continue to operate unless the voltage drops below UVLO (off) voltage. It's operation is shown in Fig. 7

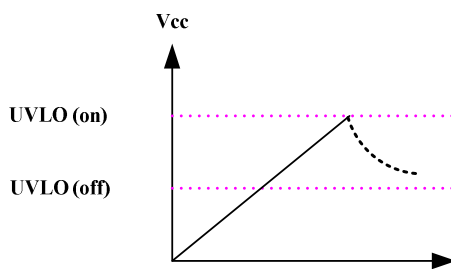


Fig. 7

Soft Start

During initial power on, the GR8830 provides soft start function. It effectively suppresses the start up peak current to reduce the power MOSFET drain voltage especially at high line.

Oscillator

The maximum duty-cycle of internal oscillator is limited about 75% to avoid the transformer saturation. The frequency of the oscillator is decided by an external resistor connected from RT pin to ground.

$$f_{osc} = 6500\text{KHz}/R \text{ (Kohm)}$$

Where R is the resistor connected at RT pin. A 100Kohm resistor results in 65KHz switching frequency. The recommended range of oscillation frequency is 50 KHz~130 KHz.

Green-Mode Operation

When the load decreases to an extent, the frequency of the controller will decrease so as to reduce the system power consumption. The minimum frequency is about 21 KHz, which is outside the audio range.

Leading-edge Blanking (LEB)

Each time the power MOSFET is switched on, a turn-on spike will inevitably occur at the sense resistor. To avoid fault trigger, a 350ns leading-edge blanking time is built in. Conventional RC filtering can therefore be omitted. During this blanking period, the current-limit comparator is disabled and can not switch off the gate driver.

Internal Slope Compensation

A built-in slope compensation circuit is constructed in GR8830. When the switch is on, a ramp voltage is added to the sensed voltage across the CS pin, which helps to stabilize the system and prevent sub-harmonic oscillations.

Application Information (Cont.)

Over-load Protection (OLP)

The controller has over load protection function. An internal circuit detects the load level, when the load is larger than a threshold and the condition lasts more than 60ms, the gate output will keep low level. Then VCC decreases below UVLO off level, the controller resets again. Fig. 8 shows the waveform of the OLP operation.

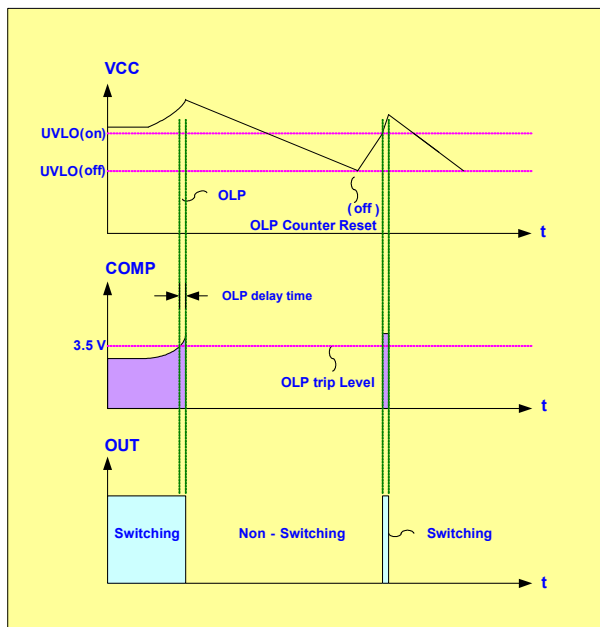


Fig. 8

Over-voltage Protection (OVP) on VCC

To prevent power MOSFET from being damaged, the GR8830 is implemented an OVP function on VCC. When the VCC voltage is higher than the OVP threshold voltage, the output gate driver circuit will be shut down immediately to stop the switching of power MOSFET. The VCC OVP function is an auto-recovery type protection. If OVP happens, the pulses will be stopped and recover at the next UVLO on. The GR8830 is working in a hiccup mode as shown in Fig. 9.

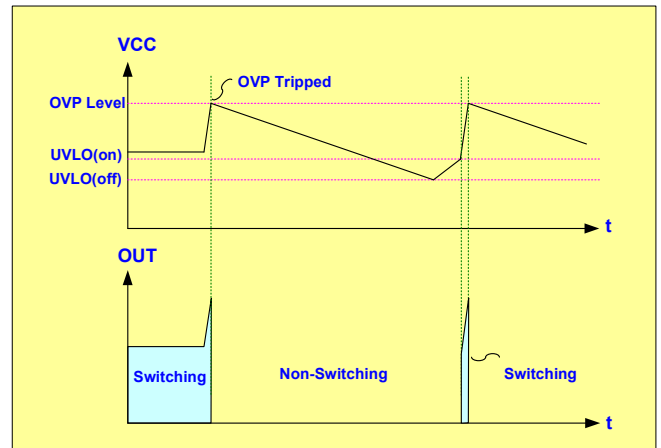


Fig. 9

Gate Clamp/Soft Driving

Driver is clamped to 13V by an internal clamping circuit. Those damages usually come from undesired over-voltage gate signals. Under the conditions listed below, the gate output will turn off immediately to protect the power circuit. The GR8830 also has soft driving function to minimize EMI.

VCC Mode Operation

In order to avoid the output voltage shut down by load changing from full to no load, the GR8830 is built-in the VCC mode function. When the load from full changes to no load, the output voltage will overshoot and pull low the COMP pin by feedback loop. Thus the duty will disappear and no power delivers to the secondary. If there is without any mechanism to prevent this situation, the VCC pin voltage will down to UVLO off and the IC will re-start again. In the GR8830, before the VCC is down to UVLO off, it will force the OUT pin outputs the specified duty to pull the VCC higher than UVLO off. The operation is shown in Fig.10.

Application Information (Cont.)

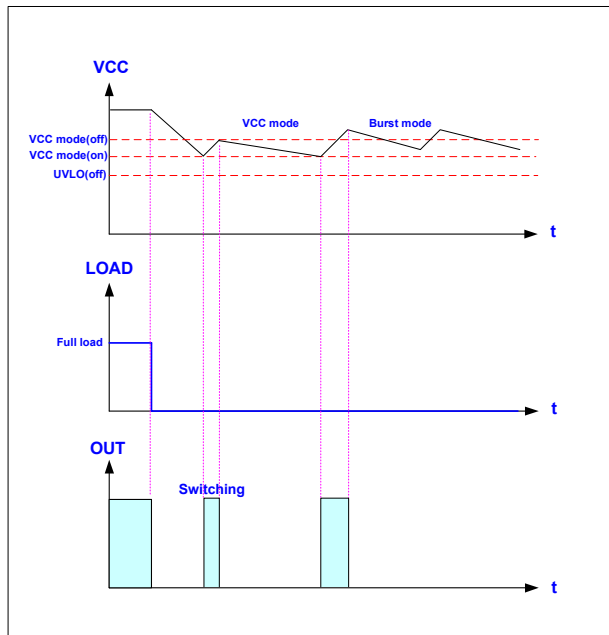
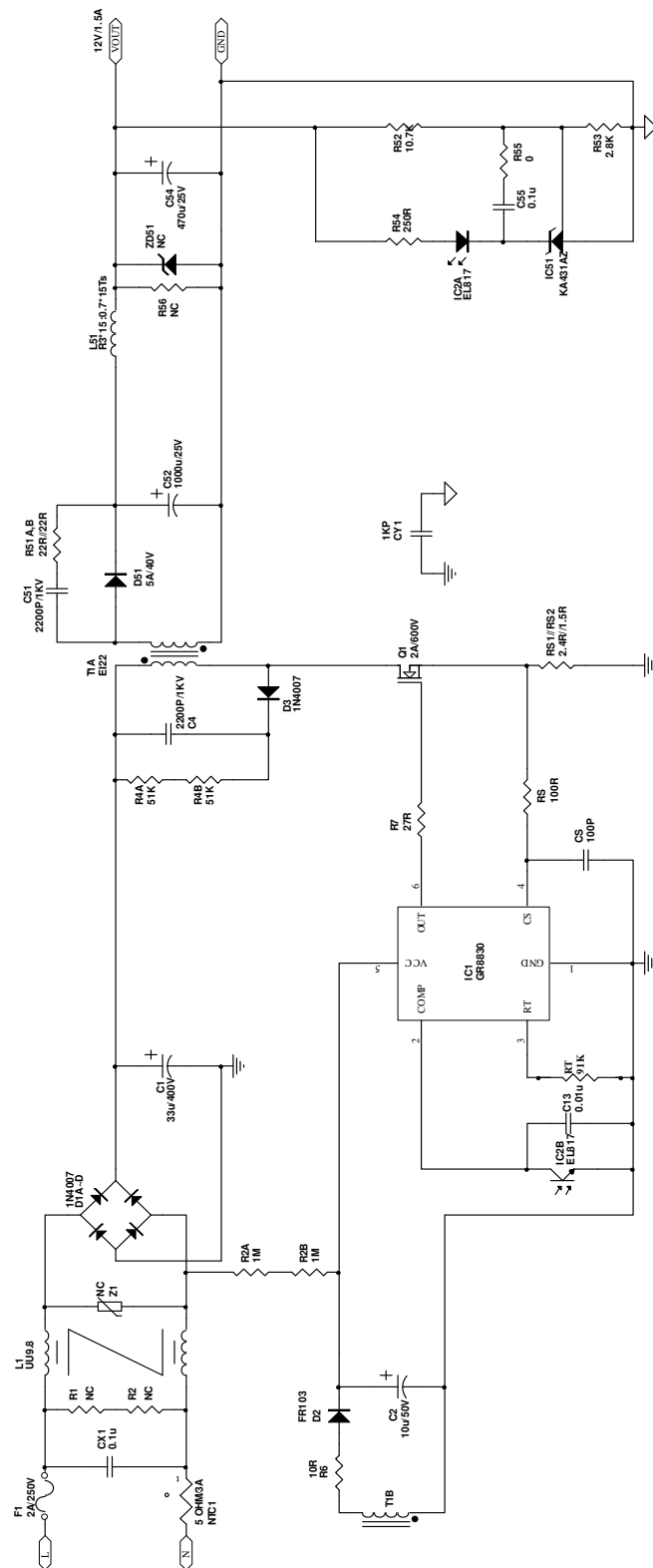
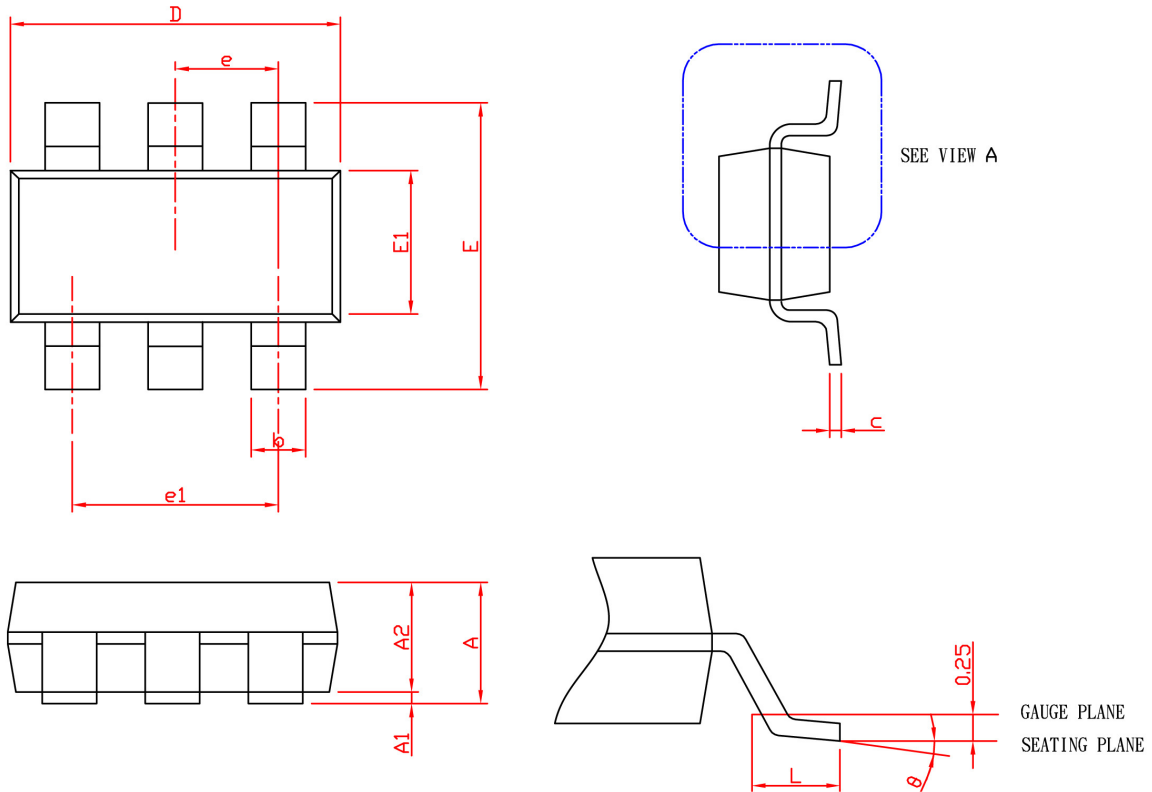


Fig. 10

The VCC mode function is used to prevent the output re-start again when load changes. So never let the system operate on the VCC mode at no load. The system should operate on burst mode, otherwise the input power may become larger.

Typical Application Circuit

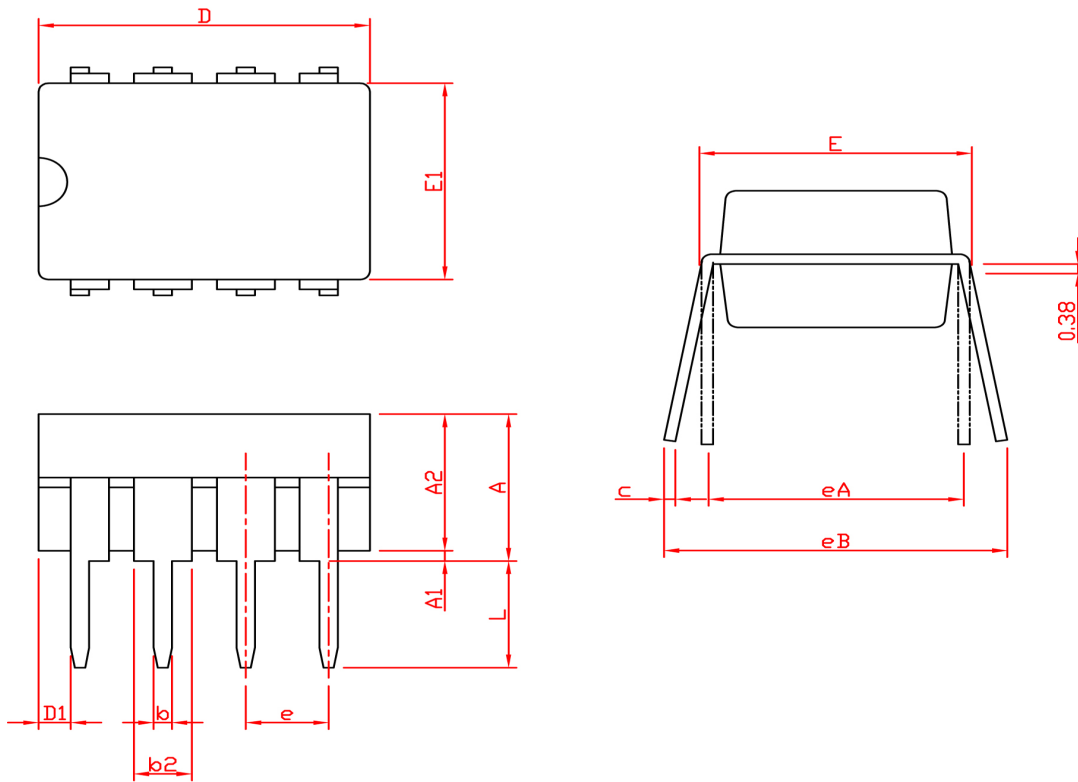


Package Information


SYMBOL	SOT-26			
	MILLIMETERS		INCHES	
	MIN.	MAX.	MIN.	MAX.
A		1.45		0.057
A1	0.00	0.15	0.000	0.006
A2	0.90	1.30	0.035	0.051
b	0.30	0.50	0.012	0.020
c	0.08	0.22	0.003	0.009
D	2.70	3.10	0.106	0.122
E	2.60	3.00	0.102	0.118
E1	1.40	1.80	0.055	0.071
e	0.95 BSC		0.037 BSC	
e1	1.90 BSC		0.075 BSC	
L	0.30	0.60	0.012	0.024
θ	0°	8°	0°	8°

Note: 1. Followed from JEDEC TO-178 AB.

2. Dimension D and E1 do not include mold flash, protrusions or gate burrs. Mold flash, protrusions or gate burrs shall not exceed 10 mil per side.

Package Information


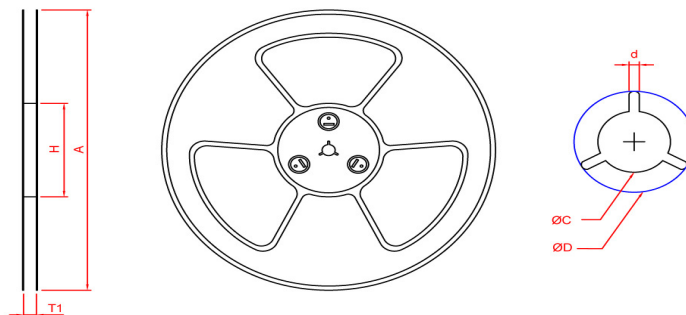
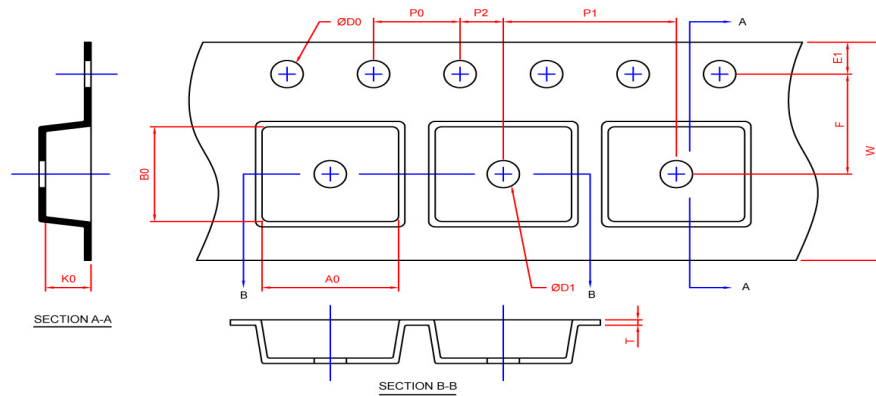
SYMBOL	DIP-8			
	MILLIMETERS		INCHES	
	MIN.	MAX.	MIN.	MAX.
A		5.33		0.210
A1	0.38		0.015	
A2	2.92	4.95	0.115	0.195
b	0.36	0.56	0.014	0.022
b2	1.14	1.78	0.045	0.070
c	0.20	0.35	0.008	0.014
D	9.01	10.16	0.355	0.400
D1	0.13		0.005	
E	7.62	8.26	0.300	0.325
E1	6.10	7.11	0.240	0.280
e	2.54 BSC		0.100 BSC	
eA	7.62 BSC		0.300 BSC	
eB		10.92		0.430
L	2.92	3.81	0.115	0.150

Note: 1. Followed from JEDEC MS-001 BA.

2. Dimension D, D1 and E1 do not include mold flash or protrusions. Mold flash or protrusions shall not exceed 10 mil.

Carrier Tape & Reel Dimensions

SOT-26



Application	A	H	T1	C	d	D	W	E1	F
SOT-26	178.0±2.00	50 MIN.	8.4+2.00 -0.00	13.0+0.50 -0.20	1.5 MIN.	20.2 MIN.	8.0±0.30	1.75±0.10	3.5±0.05
	P0	P1	P2	D0	D1	T	A0	B0	K0
	4.0±0.10	4.0±0.10	2.0±0.05	1.5+0.10 -0.00	1.0 MIN.	0.6+0.00 -0.40	3.20±0.20	3.10±0.20	1.50±0.20

(mm)

Application	Carrier Width	Cover Tape Width	Devices Per Reel
SOT -26	8	5.3	3000

Taping direction information

SOT-26

