

## High Performance, High Power Factor Flyback PWM Controller

### FEATURES

- ◆ Programmable Load Over Voltage Protection (Load OVP)
- ◆ Built-in Over Load Protection (OLP) with 120ms Debounce Time
- ◆ Built-in Soft Start
- ◆ Very Low Startup Current
- ◆ Under Voltage Lockout with 7.7V Hysteresis
- ◆ VCC Over Voltage Protection (OVP)
- ◆ Clear External EA Feedback Network before Power On
- ◆ Transition Mode (TM) Operation
- ◆ Highly Linear Analog Multiplier
- ◆ Proprietary "Frequency Adjusting" for Higher PF and Low THD
- ◆ 3.3us Min. OFF Time
- ◆ 270KHz Max Frequency Clamp
- ◆ Trimmed 1.5% Internal Voltage Reference
- ◆ Restart Timer for Stand-alone Applications
- ◆ Cycle-by-Cycle Current Limiting
- ◆ Built-in Leading Edge Blanking (LEB)
- ◆ Audio Noise Free Operation
- ◆ 10V to 32V Wide Range of VCC Voltage
- ◆ 800mA Drive Capability

### APPLICATIONS

- ◆ LED Lighting Application
- ◆ Single Stage High PF Flyback AC/DC SMPS

### GENERAL DESCRIPTION

SFL330 is a high performance, high power factor flyback PWM controller special for LED lighting applications. The IC adopts transition mode (TM) operation for high efficiency and low EMI.

SFL330 has programmable **Load Over Voltage Protection (Load OVP)** which can simplify system design greatly. The IC also has built-in **Over Load Protection (OLP)** with 120ms debounce time, which can protect the system especially when load is short. SFL330 will **Clear External EA Feedback Network** before IC power on. The IC also has **Soft Start** control during power on period.

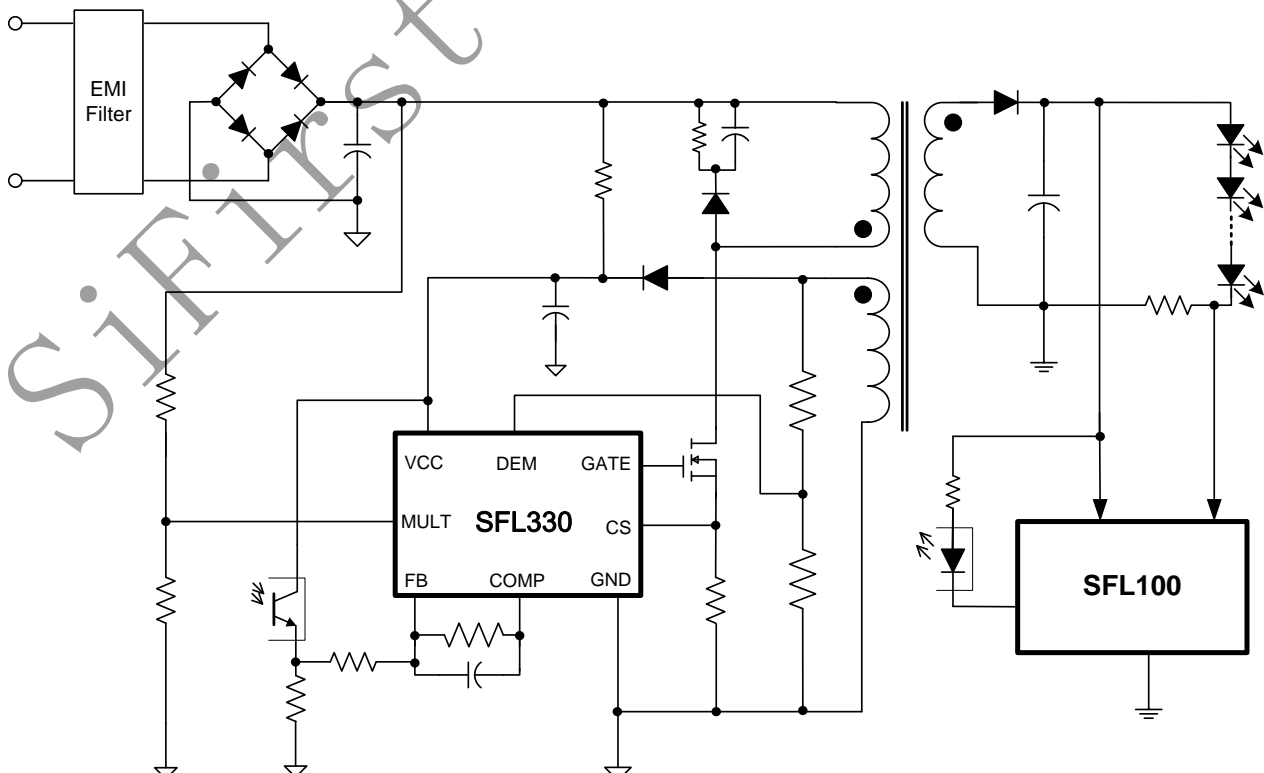
In SFL330, a highly linear analog multiplier is integrated to achieve low THD and high power factor. A restart timer is for stand alone applications. The IC also has the function of Min. OFF time and Max. Frequency Clamp to limits power MOS Vds spike when LED output is short.

In SFL330, the proprietary "**Frequency Adjusting**" can help to improve THD performance, while ensures audio noise free operation. A VCC Over Voltage Protection (VCC OVP) is integrated to improve system reliability.

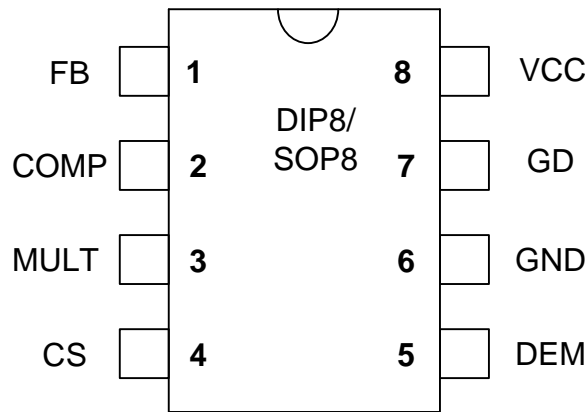
SFL330 integrates functions and protections of Under Voltage Lockout (UVLO), Over Load Protection (OLP), VCC Over Voltage Protection (OVP), Load Over Voltage Protection (Load OVP), Soft Start, Cycle-by-cycle Current Limiting (OCP), GD Clamping, VCC Clamping, etc.

SFL330 is available in SOP-8 and DIP-8 packages.

### TYPICAL APPLICATION



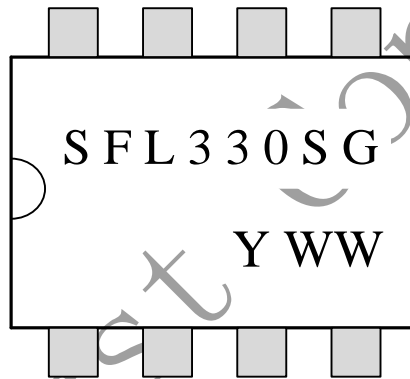
**Pin Configuration**



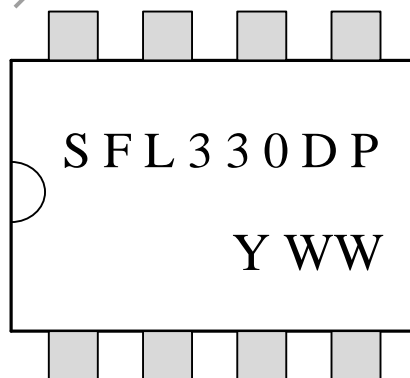
**Ordering Information**

Part Number	Top Mark	Package		Tape & Reel
SFL330SG	SFL330SG	SOP8	Green	
SFL330SGT	SFL330SG	SOP8	Green	Yes
SFL330DP	SFL330DP	DIP8	RoHS	

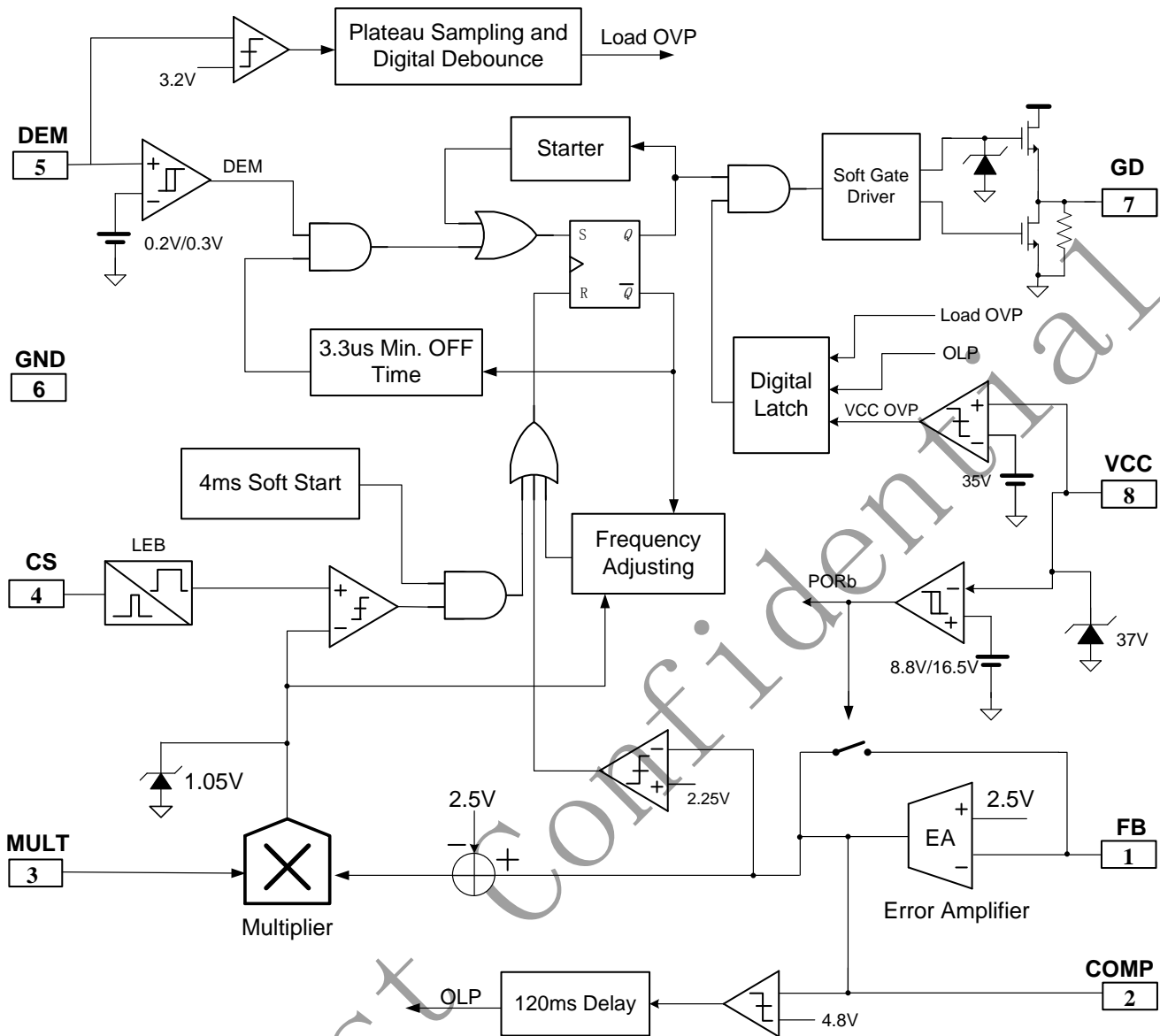
**Marking Information**



YWW: Year&Week code



YWW: Year&Week code

**Block Diagram**

**Pin Description**

Pin Num	Pin Name	I/O	Description
1	FB	I	Inverting input of the error amplifier. Before power on, this pin is internally shorted to COMP pin to clear external feedback network.
2	COMP	O	Output of the error amplifier. A feedback network is placed between this pin and pin 1. The voltage of COMP and pin CS generates PWM duty cycle. If this pin voltage is higher than 4.8V and lasts 120ms, then OLP protection is triggered and the IC will shutdown PWM and enter into auto-recovery type protection.
3	MULT	I	Input to the multiplier stage. This pin is connected to the rectified mains voltage via a resistor divider and provides the sinusoidal reference to the current loop.
4	CS	I	Current sense input pin.
5	DEM	I	Input form auxiliary winding for demagnetization. This pin is also used for load over voltage protection (Load OVP).
6	GND	P	IC ground pin.
7	GD	O	Totem-pole gate driver output to drive the external MOSFET.
8	VCC	P	IC power supply pin.

**Absolute Maximum Ratings** (Note 1)

Parameter	Value	Unit
VCC DC Supply Voltage	37	V
VCC DC Clamp Current	10	mA
GD pin	20	V
FB, COMP, MULT, CS, voltage range	-0.3 to 7	V
DEM Pin Max. Sink/Source Current	50(source) /10(sink)	mA
Package Thermal Resistance (DIP-8)	90	°C/W
Package Thermal Resistance (SOP-8)	150	°C/W
Maximum Junction Temperature	150	°C
Operating Temperature Range	-40 to 85	°C
Storage Temperature Range	-65 to 150	°C
Lead Temperature (Soldering, 10sec.)	260	°C
ESD Capability, HBM (Human Body Model)	3	kV
ESD Capability, MM (Machine Model)	250	V

**Recommended Operation Conditions** (Note 2)

Parameter	Value	Unit
Supply Voltage, VCC	10 to 32	V
Operating Ambient Temperature	-40 to 85	°C

**ELECTRICAL CHARACTERISTICS**
 $(T_A = 25^{\circ}\text{C}, V_{CC} = 14.5\text{V}$  if not otherwise noted)

Symbol	Parameter	Test Conditions	Min	Typ	Max	Unit
<b>Supply Voltage Section (VCC Pin)</b>						
I <sub>vcc_startup</sub>	VCC Start up Current	VCC=11V, Measure current into VCC		5	15	uA
UVLO(ON)	VCC Under Voltage Lockout Exit (Startup)		15.5	16.5	17.5	V
UVLO(OFF)	VCC Under Voltage Lockout Enter		8.0	8.8	9.6	V
UVLO(Hys)	UVLO Hysteresis	UVLO(ON)-UVLO(OFF)		7.7		V
VCC_OVP	VCC Over Voltage Protection trigger		33	35	37	V
VCC_Clamp	VCC Zener Clamp Voltage	I(VCC) = 5mA	35	37	39	V
I_VCC_Op	Operation Current	@70KHz, GD=1nF		4	5.5	mA
I_VCC_quiet	Quiescent Current	No Switching		3	4	mA
T_Softstart	Soft Start Time			4		mSec
<b>Error Amplifier Section (FB and COMP Pin)</b>						
V <sub>FBREF</sub>	Voltage Feedback Input Threshold		2.45	2.500	2.55	V
$\Delta V_{FB\_line}$	Line Regulation	10V < VCC < 32V		4	10	mV
$\Delta V_{FB\_Temp}$	Temperature Stability	-40°C < T <sub>A</sub> < 125°C		13		mV
G <sub>V</sub>	Voltage Gain	Note 3	60	80		dB
GBW	Unit Gain Bandwidth	Note 3		1.2		MHz
I <sub>COMP_source</sub>	Source Current	V <sub>COMP</sub> =3.6V, V <sub>INV</sub> =2.4V	-2	-4.8	-10	mA
I <sub>COMP_sink</sub>	Sink Current	V <sub>COMP</sub> =3.6V, V <sub>INV</sub> =2.6V	-2	-4.8		mA
V <sub>COMP_Clamp_U</sub>	Upper Clamp Voltage	I <sub>COMP</sub> (source)=0.5mA		5.4		V
V <sub>COMP_min_duty</sub>	COMP under voltage gate clock is off			2.3		V
V <sub>TH_COMP_PL</sub>	Power Limiting COMP Threshold Voltage			4.8		V
T <sub>D_COMP_PL</sub>	Power limiting Debounce Time	Note 3		120		mSec
<b>Multiplier Section (MULT Pin)</b>						
V <sub>mult</sub>	Linear Operating		0~3.5			V

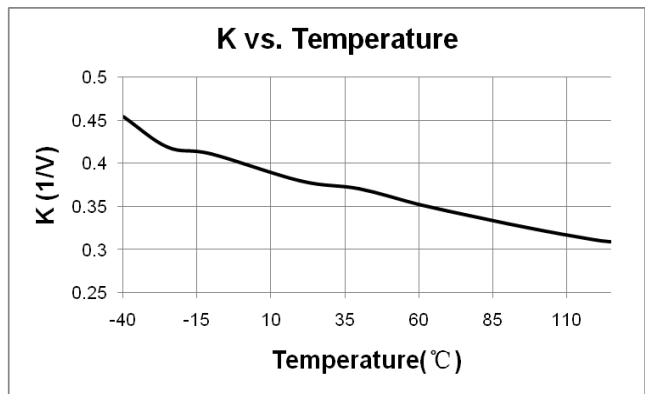
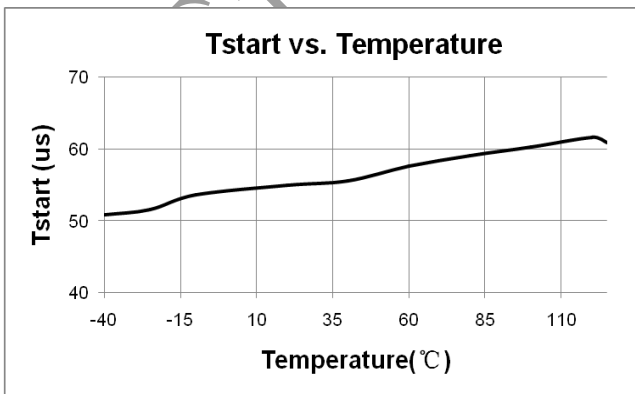
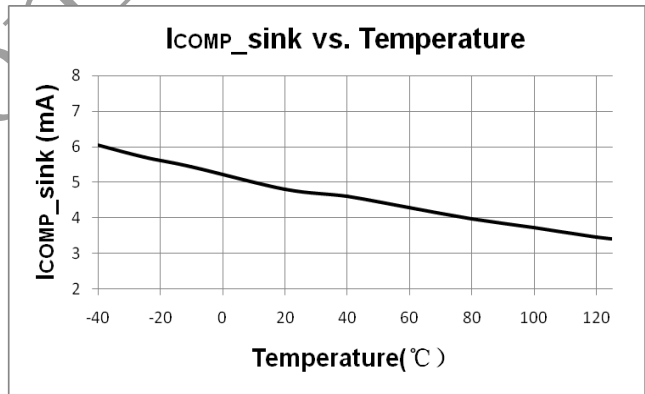
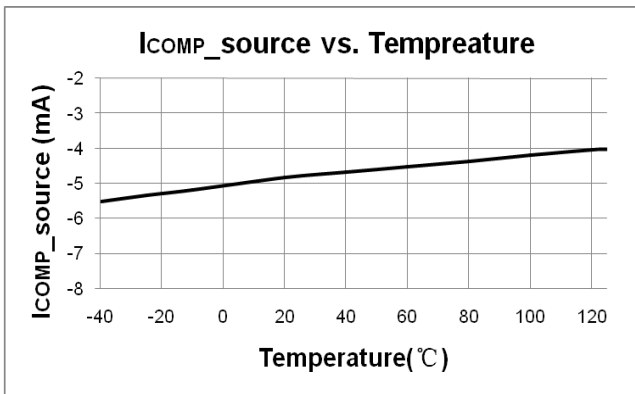
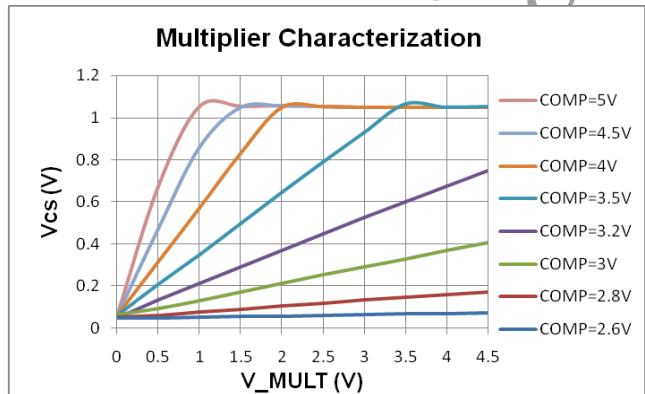
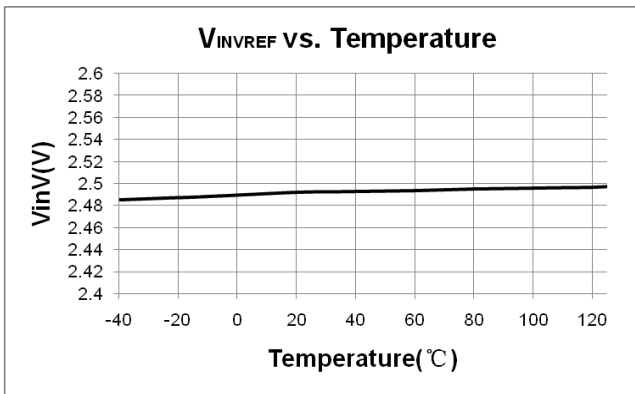
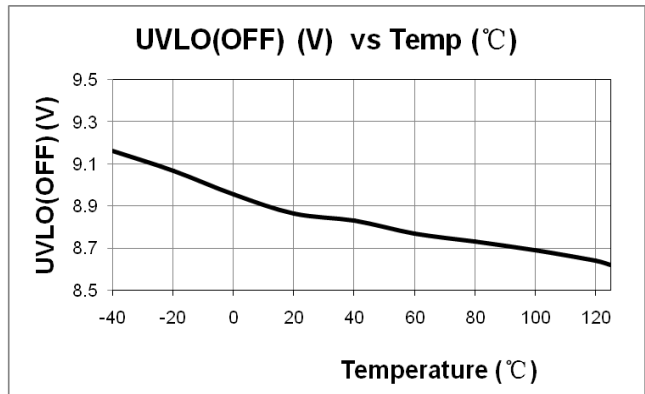
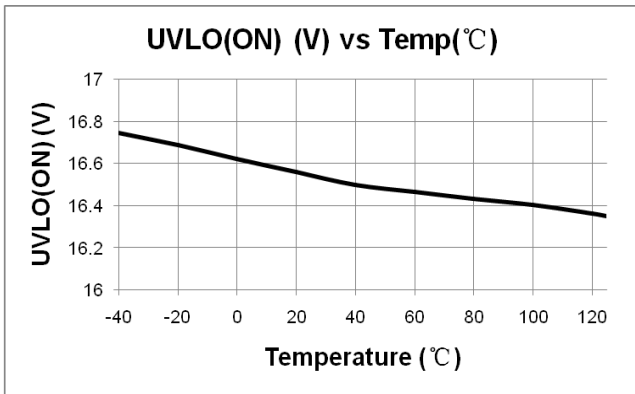
	Range					
K	Multiplier Gain	$V_{MULT}=1V, V_{COMP}=3.5V$	0.3	0.36	0.42	1/V
$\Delta V_{cs}/\Delta V_{mult}$	Output Max. Slope	$V_{MULT}=\text{from } 0 \text{ to } 0.5V, V_{COMP}=\text{Upper Clamp Voltage}$	0.95	1.1		V/V
<b>Current Sense Section (CS Pin)</b>						
$V_{CS\_clamp}$	Current Sense Reference Clamp		0.95	1.05	1.1	V
$T_{blinking}$	CS Input Leading Edge Blanking Time			250		nSec
$T_{D\_OC}$	Over Current Detection and Control Delay	$CL=1nF \text{ at } GD,$		100		nSec
<b>Demagnetization Detection Section (DEM Pin)</b>						
$V_{TH\_DEM}$	DEM Comparator Threshold Voltage (Negative going edge)			0.2		V
$V_{TH\_DEM\_hys}$	Hysteresis for DEM Comparator			0.1		V
$V_{DEM\_clamp\_H}$	High clamp voltage		5.4	6	6.6	V
$V_{DEM\_clamp\_L}$	Low clamp voltage	$I(DEM)=-2.5mA$		0		V
$V_{TH\_OVP}$	Output over voltage protection threshold			3.2		V
$N_{TRUE\_OVP}$	Number of subsequent cycles to be true OVP			2		Cycle
$T_{min\_OFF}$	Minimum OFF time	Note 3		3.3		uSec
$I_{DEM\_source}$	Source Current Capability		-2.5		-5	mA
$I_{DEM\_sink}$	Sink Current Capability	Note 3	3			mA
<b>Starter and Max Switching Frequency Limitation Section</b>						
$T_{start}$	Start Timer Period		45	55	65	us
$f_{sw\_max}$	Max switching frequency			270		KHz
<b>Gate Drive Section (GD Pin)</b>						
VOL	Output Low Level	$I_o = 100 \text{ mA (sink)}$			1.5	V
VOH	Output High Level	$I_o = 100 \text{ mA (source)}$	8			V
GD_Clamp	Output Clamp Voltage Level	$VCC=24V$		16		V
$T_r$	Output Rising Time	$GD = 1nF$		50		nSec
$T_f$	Output Falling Time	$GD = 1nF$		30		nSec

**Note 1.** Stresses beyond those listed under "Absolute Maximum Ratings" may cause permanent damage to the device. These are stress ratings only, and functional operation of the device at these or any other conditions beyond those indicated in the operational sections of the specifications is not implied. Exposure to absolute maximum rating conditions for extended periods may affect device reliability.

**Note 2.** The device is not guaranteed to function outside its operating conditions.

**Note 3.** Guaranteed by design.

CHARACTERIZATION PLOTS



**OPERATION DESCRIPTION**

SFL330 is a high performance, high power factor flyback PWM controller special for LED lighting applications. The built-in high level protection features improves the system reliability and performance without increasing the system cost.

**◆ UVLO (with 7.7V Hysteresis) and 5uA Startup Current**

Fig.1 shows a typical startup circuit. Before the IC begins switching operation, it consumes only startup current (typically 5uA) and current supplied through the startup resistor Rst charges the VDD hold-up capacitor Cdd. When VDD reaches UVLO turn-on voltage of 16.5V(typical), SFL330 begins switching and the IC current consumed increased to 3mA (typical). The hold-up capacitor Cdd continues to supply VDD before the energy can be delivered from auxiliary winding Na. During this process, VDD must not drop below UVLO turn-off voltage (typical 8.8V). The selection of Rst and Cdd should be a trade off between the power loss and startup time.

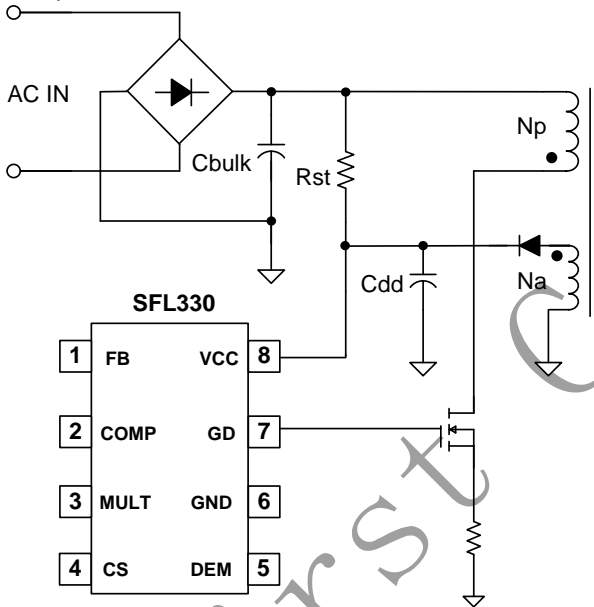


Fig.1

**◆ Low Operating Current**

The operating current in SFL330 is as small as 3mA (typical). The small operating current results in higher efficiency and reduces the VDD hold-up capacitance requirement.

**◆ 4ms Soft Start**

SFL330 features an internal 4ms (typical) soft start that slowly increases the threshold of cycle-by-cycle current limiting comparator during startup sequence. It helps to prevent transformer saturation and reduce the stress on the secondary diode during startup. Every restart attempt is followed by a soft start activation.

**◆ Error Amplifier**

The inverting input of the EA is compared to an internal reference voltage (2.5V) to determine COMP voltage. An external loop compensation network is placed between COMP and FB. When COMP voltage is below 2.25V, PWM cycle will stop.

**◆ Clear External EA Feedback Network**

SFL330 features a control that clear the external EA feedback network before IC power on, as shown in Fig.2. This control can ensure the system start up softly by clearing the residue voltage on C1 and reduce the output LED current spike when system does the ON/OFF testing.

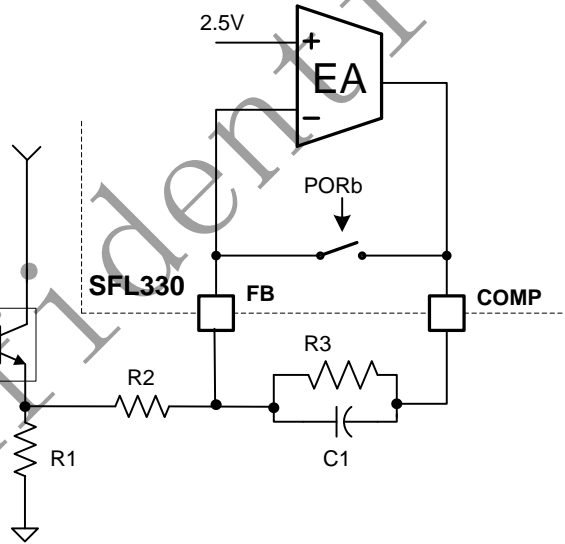


Fig.2

**◆ Analog Multiplier for Power Factor Correction**

The analog multiplier output limits the MOSFET peak current with respect to the AC half wave rectified input voltage. By controlling the CS comparator threshold as the AC line voltage traverses sinusoidally from zero to peak line voltage, the load appears to be resistive to the AC line. The multiplier in SFL330 has two inputs. One is the error amplifier (EA) output voltage (VCOMP), while the other is VMULT which is obtained by a resistor divider from the rectified line. The multiplier output can be expressed as the following equation:

$$V_{Multiplier} = 0.38 \times V_{MULT} \times (V_{COMP} - 2.5V)$$

The analog multiplier in SFL330 is specially designed to achieve high linearity over a wide dynamic range. Special efforts have been made to assure universal line applications with respect to a 90 to 264 VAC range.

The multiplier output is clamped to 1.05V internally.

### ◆ Frequency Adjusting

In SFL330, a proprietary function of “Frequency adjusting” is integrated. By setting a low frequency clamp which tracks the variation of the AC half wave rectified input voltage, the PFC THD performance can be improved, as shown in Fig.3.

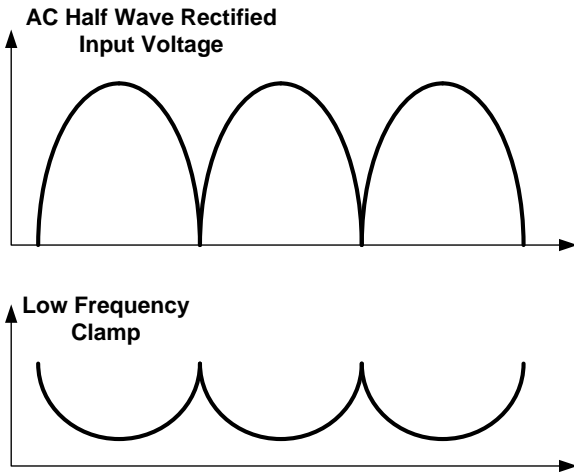


Fig.3

### ◆ Leading Edge Blanking (LEB)

Each time the power MOSFET is switched on, a turn-on spike occurs across the sensing resistor. To avoid premature termination of the switching pulse, an internal leading edge blanking circuit is built in. During this blanking period (250ns, typical), the current limiting comparator is disabled and cannot switch off the gate driver. Thus, conventional RC filtering is not necessary and the propagation delay of current limit protection can be minimized.

### ◆ 3.3us Minimum OFF Time and 270KHz Maximum Switching Frequency Clamp

In SFL330, a minimum OFF time (typically 3.3us) is implemented to suppress ringing when GATE is off. The maximum frequency of SFL330 is clamped to 270KHz (typical). The minimum OFF time and maximum switching frequency clamp are necessary in applications where the transformer has a large leakage inductance, particularly at low output voltages or startup.

### ◆ Demagnetization Detection

SFL330 can perform demagnetization detection by using an auxiliary winding of the inductor. When the stored energy is fully released to the output, the voltage on DEM goes down. If DEM pin voltage drops below 0.2V, an internal DEM comparator is triggered and a new switching cycle is initiated following the DEM triggering. The power MOSFET is always turned on with zero inductor current such that the turn-on loss and noise can be minimized. An internal restart timer (55us, typical) is built in to ensure proper start up operation. The maximum and minimum voltage of DEM pin is internally clamped to 5.8V and 0V respectively.

### ◆ VCC OVP (Over Voltage Protection)

When VCC voltage is higher than 35V (typical), VCC OVP (Over Voltage Protection) will be triggered in SFL330 and it is a protection of auto recovery mode (as mentioned below).

### ◆ Over Load Protection (OLP) / Open Loop Protection (OLP) / LED Output Short Protection(SCP)

When over load, open loop, or LED short circuit occurs, a fault is detected. If this fault is present for more than 120ms (typical), the OLP or SCP protection will be triggered, the IC will experience an auto-recovery mode protection as mentioned below, as shown in Fig.4. The 120ms delay time is to prevent the false trigger from the power-on and turn-off transient.

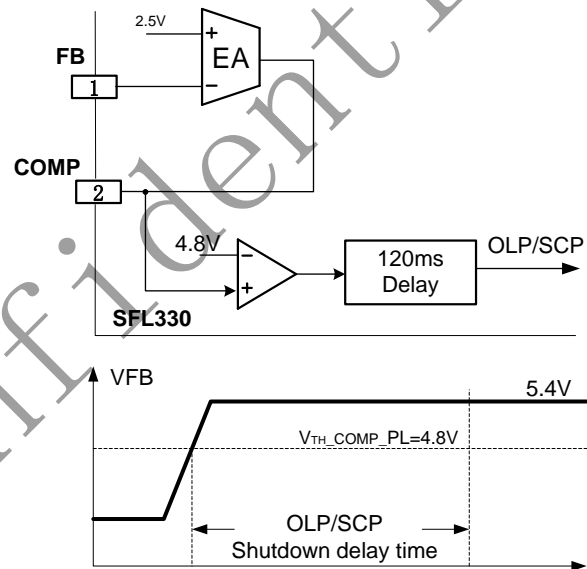


Fig.4

### ◆ Load Over Voltage Protection (Load OVP)

In SFL330, the load OVP is integrated by plateau sampling the auxiliary winding in flyback phase. The threshold voltage for output OVP is 3.2V, as shown in Fig.5.

If the sampled plateau voltage exceeds the OVP threshold (3.2V), an internal counter starts counting subsequent OVP events. If OVP events are detected in successive 2 cycles, the controller assumes a true OVP and it stops all switching operations. The counter has been added to prevent incorrect OVP detection which might occur during ESD or lightning events. If the output voltage exceeds the OVP threshold less than 2 successive cycles, the internal counter will be cleared and no fault is asserted.

Output OVP is auto-recovery mode protection (mentioned below).



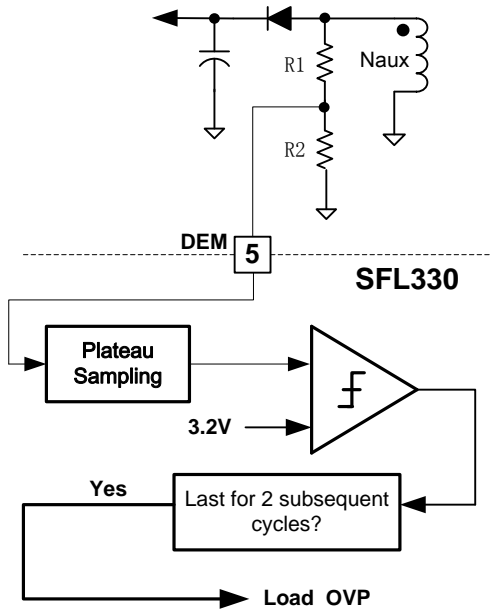


Fig.5

◆ **Auto Recovery Mode Protection**

As shown in Fig.6, once a fault condition (VCC OVP) is detected, switching will stop. This will cause VCC to fall because no power is delivered from the auxiliary winding. When VCC falls to UVLO(OFF) (typical 8.8V), the protection is reset and the operating current reduces to the startup current, which causes VCC to rise, as shown in Fig.6. However, if the fault still exists, the system

will experience the above mentioned process. If the fault has gone, the system resumes normal operation. In this manner, the auto restart can alternatively enable and disable the switching until the fault condition is disappeared.

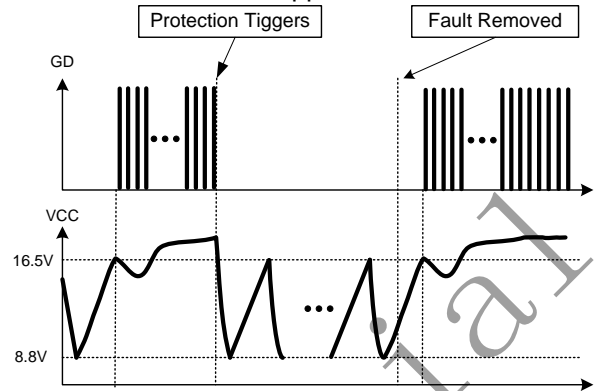
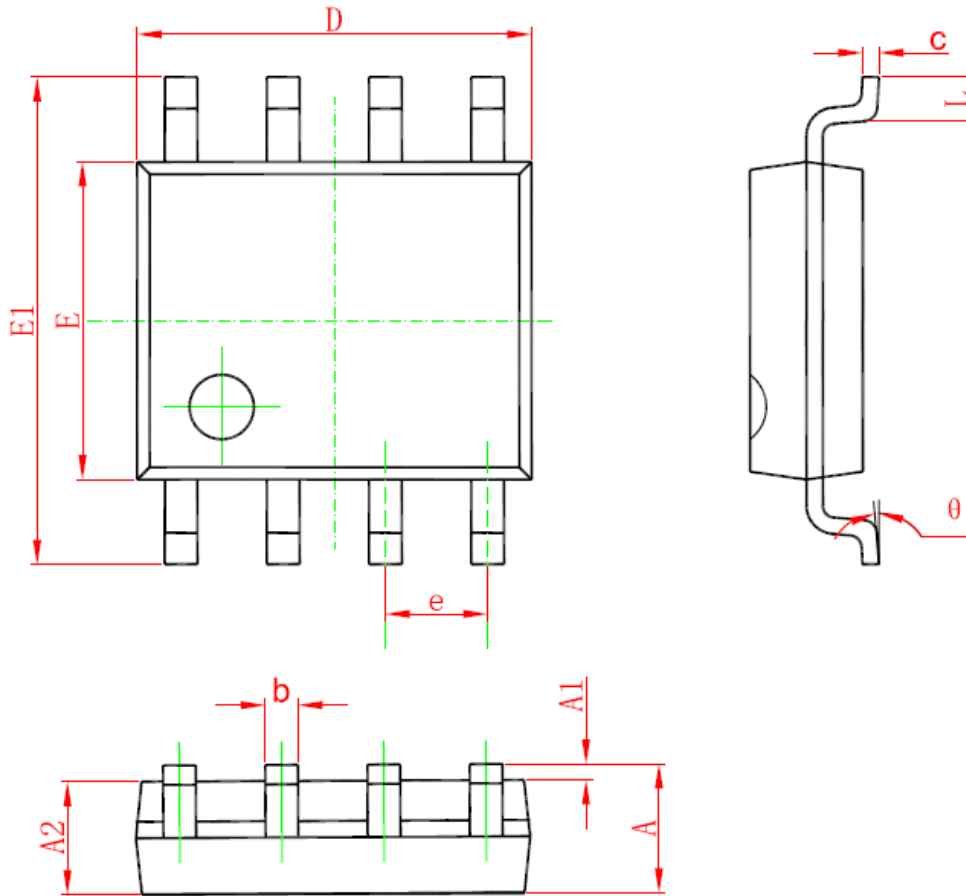


Fig.6

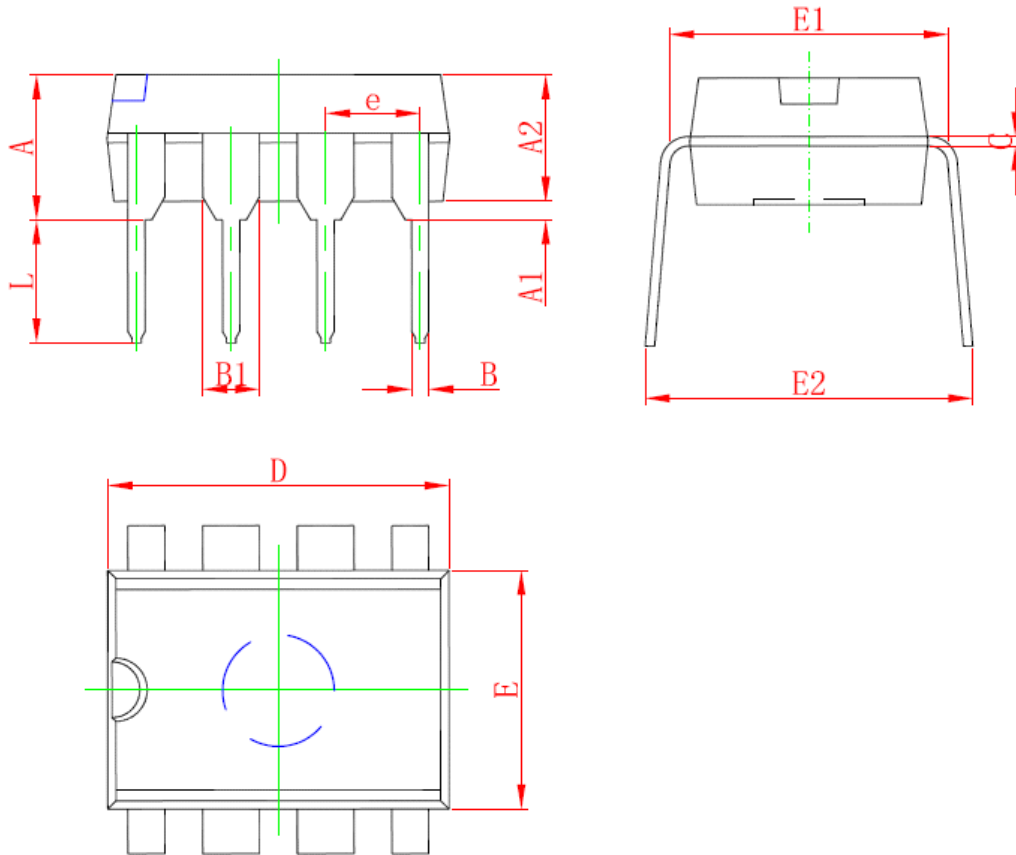
◆ **Soft Gate Drive**

SFL330 has a fast totem-pole gate driver with 800mA capability. Cross conduction has been avoided to minimize heat dissipation, increase efficiency, and enhance reliability. An internal 16V clamp is added for MOSFET gate protection at higher than expected VCC input. A soft driving waveform is implemented to minimize EMI.

**PACKAGE MECHANICAL DATA**
**SOP8 PACKAGE OUTLINE DIMENSIONS**


Symbol	Dimensions In Millimeters		Dimensions In Inches	
	Min	Max	Min	Max
A	1.350	1.750	0.053	0.069
A1	0.050	0.250	0.002	0.010
A2	1.250	1.650	0.049	0.065
b	0.310	0.510	0.012	0.020
c	0.170	0.250	0.006	0.010
D	4.700	5.150	0.185	0.203
E	3.800	4.000	0.150	0.157
E1	5.800	6.200	0.228	0.244
e	1.270 (BSC)		0.05 (BSC)	
L	0.400	1.270	0.016	0.050
θ	0°	8°	0°	8°

**DIP8 PACKAGE OUTLINE DIMENSIONS**



Symbol	Dimensions In Millimeters		Dimensions In Inches	
	Min	Max	Min	Max
A	3.710	4.310	0.146	0.170
A1	0.510		0.020	
A2	3.200	3.600	0.126	0.142
B	0.380	0.570	0.015	0.022
B1	1.524 (BSC)		0.06 (BSC)	
C	0.204	0.360	0.008	0.014
D	9.000	9.400	0.354	0.370
E	6.200	6.600	0.244	0.260
E1	7.320	7.920	0.288	0.312
e	2.540 (BSC)		0.100 (BSC)	
L	3.000	3.600	0.118	0.142
E2	8.400	9.000	0.331	0.354

## IMPORTANT NOTICE

SiFirst Technology Nanhai, Ltd (SiFirst) reserves the right to make corrections, modifications, enhancements, improvements and other changes to its products and services at any time and to discontinue any product or service without notice. Customers should obtain the latest relevant information before placing orders and should verify that such information is current and complete.

SiFirst warrants performance of its hardware products to the specifications applicable at the time of sale in accordance with SiFirst's standard warranty. Testing and other quality control techniques are used to the extent SiFirst deems necessary to support this warranty. Except where mandated by government requirements, testing of all parameters of each product is not necessarily performed.

SiFirst assumes no liability for application assistance or customer product design. Customers are responsible for their products and applications using SiFirst's components. To minimize the risks associated with customer products and applications, customers should provide adequate design and operating safeguards.

Reproduction of SiFirst's information in SiFirst's data books or data sheets is permissible only if reproduction is without alteration and is accompanied by all associated warranties, conditions, limitations, and notices. Reproduction of this information with alteration is an unfair and deceptive business practice. SiFirst is not responsible or liable for such altered documentation. Information of third parties may be subject to additional restrictions.

Resale of SiFirst's products or services with statements different from or beyond the parameters stated by SiFirst for that product or service voids all express and any implied warranties for the associated SiFirst's product or service and is an unfair and deceptive business practice. SiFirst is not responsible or liable for any such statements.

SiFirst's products are neither designed nor intended for use in military applications. SiFirst will not be held liable for any damages or claims resulting from the use of its products in military applications.

SiFirst's products are not designed to be used as components in devices intended to support or sustain human life. SiFirst will not be held liable for any damages or claims resulting from the use of its products in medical applications.