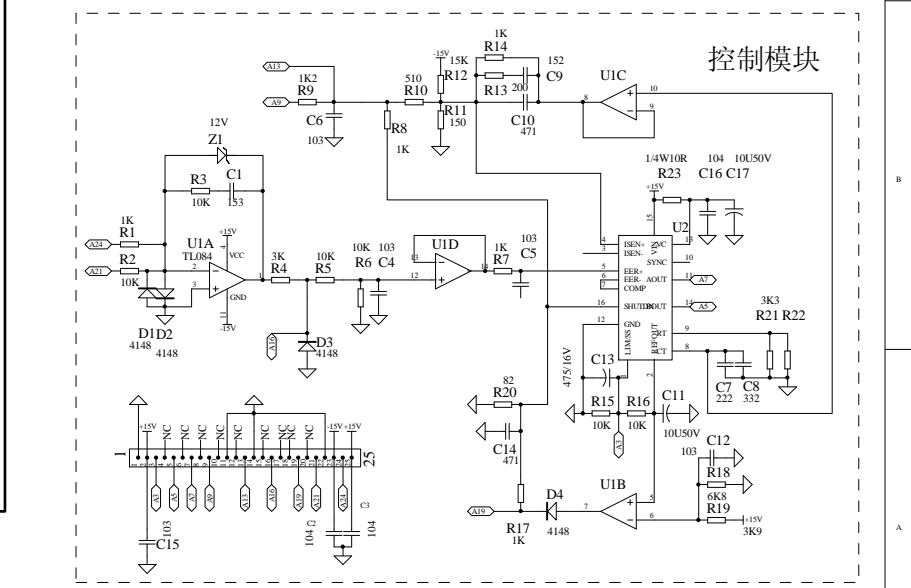
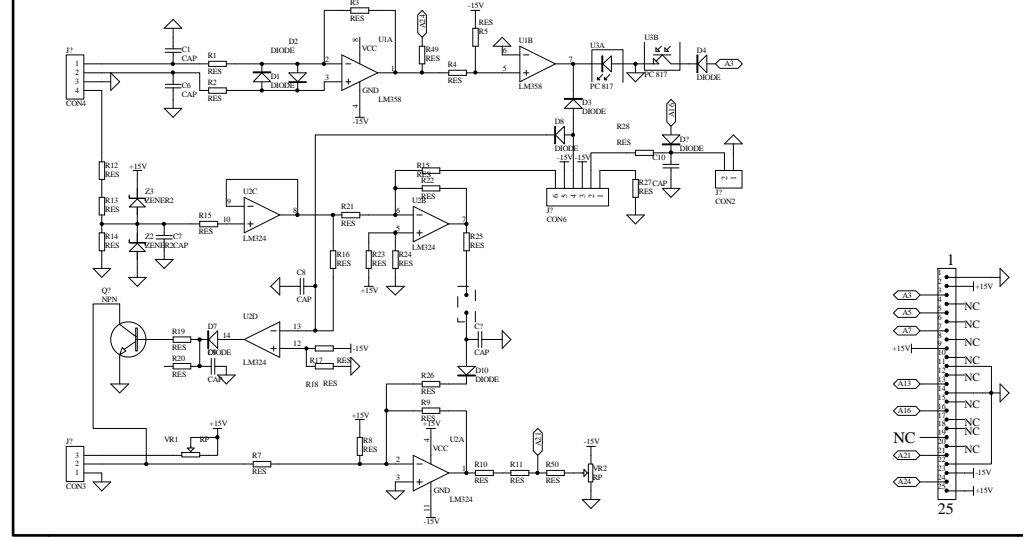
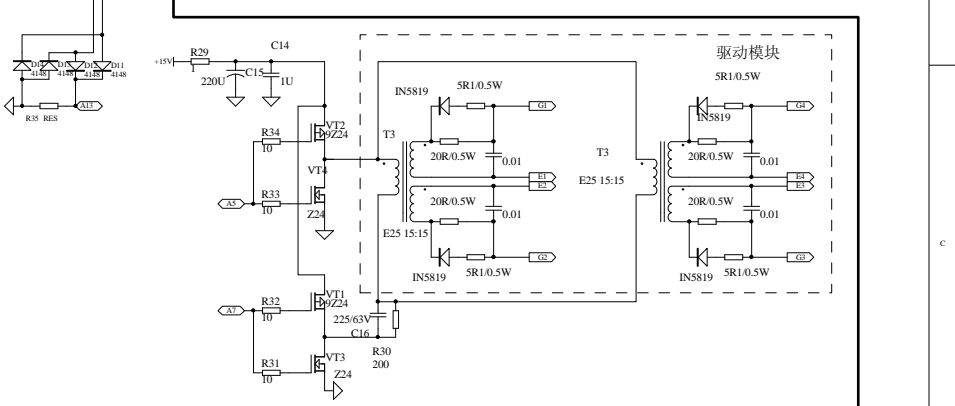
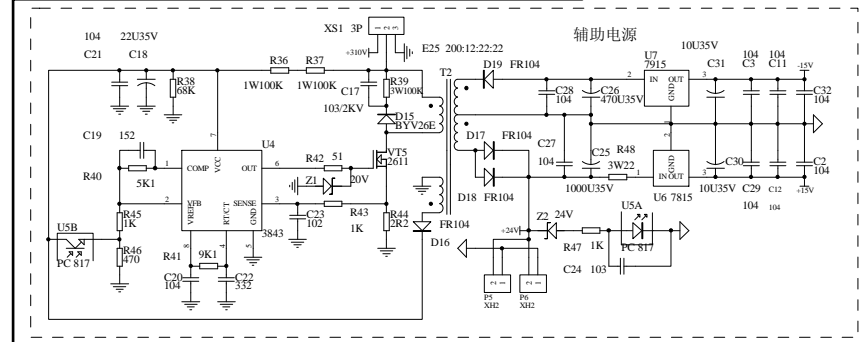
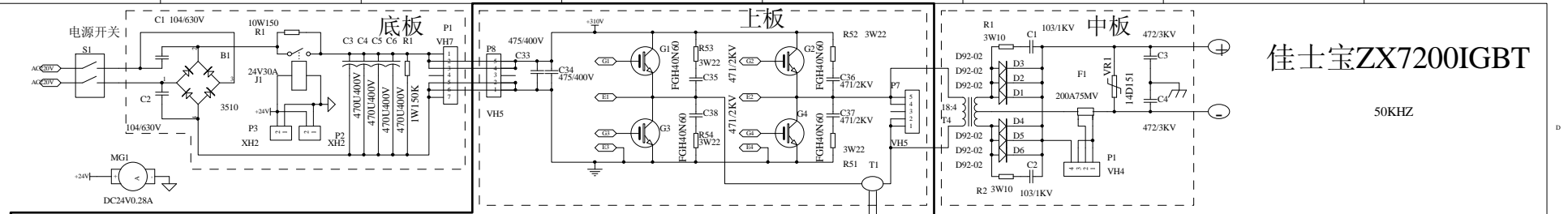


佳士宝ZX7200IGBT

50KHZ



Title		
Size	Number	Revision
A2		
Date:	22 May 2010	Sheet of
File:	E:\文件\佳士宝\ZX7200\ZX7200\PCB\ZX7200_00_001_01.BOM	