

Asynchronous Boost Controller

General Description

The SX1302 is a boost topology switching regulator control IC for battery-powered applications. The SX1302 includes a totem-pole single output stage for driving NPN transistor or N-MOS, high precision reference voltage(0.5V) to compare output voltage with feedback amplifier, an internal duty time control for controlling the minimum duty cycle, programmable soft start with short circuit protection function and logic level control for operating mode or standby mode.

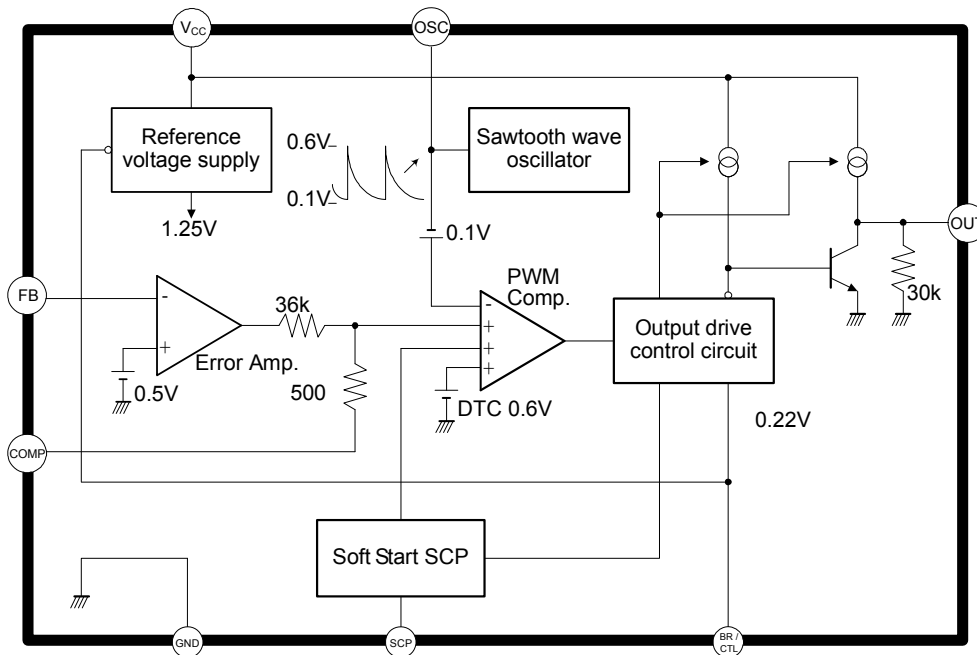
Features

- Wide Supply Voltage Operating Range: 1.8 to 15V
- Precision Reference Voltage: 0.5V \pm 2%
- Low Current Consumption: 5.5mA in Operation Mode
- Low Current Consumption: 1 μ A in Standby Mode
- High Oscillator Frequency: 1MHz max.
- Totem-Pole Output with Adjustable ON / OFF Current (for NPN Transistors or n-Channel MOSFET)
- Logic Level Control Stand-by Mode Function
- Programmable Soft Start Function (SS)
- Short Circuit Protection Function (SCP)
- Package: TSSOP-8L

Applications

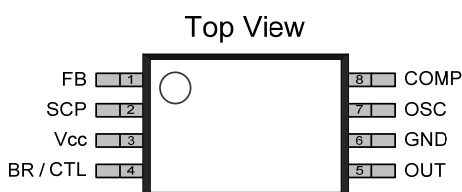
- Digital Camera
- PDA
- Portable Equipment

Function Block Diagram



Pin Descriptions

TSSOP-8L



Name	No.	I / O	Description
FB	1	I	Error Amplifier Inverting Input
SCP	2	I	Soft Start and SCP Function Connect a Capacitor to this pin
V _{CC}	3	P	IC power supply
BR / CTL	4	I	Output Current Setting and Control
OUT	5	O	Totem-Pole Output
GND	6	P	IC Ground
OSC	7	I	Oscillator Output: Connect Capacitor and Resistor to this pin for Frequency Adjustment
COMP	8	O	Error Amplifier Compensation Output

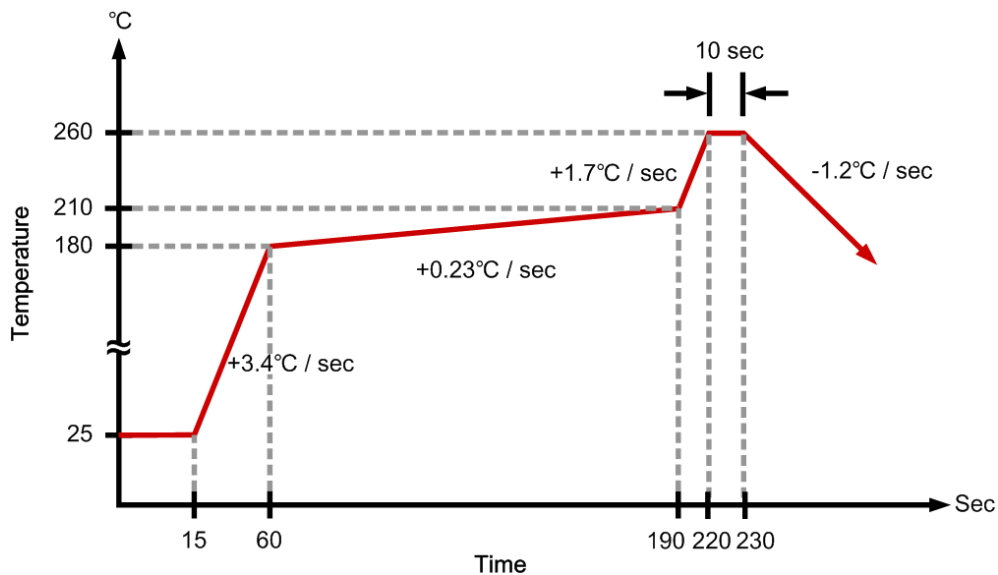
Ordering Information

Part Number	Operating Temperature	Package	MOQ	Description
SX1302BWR-LF	-10°C ~ +85°C	TSSOP-8L	2500EA	Tape & Reel

Absolute Maximum Ratings

Parameter	Symbol	Conditions	Min.	Typ.	Max.	Unit
Power Supply Voltage	V_{IN}				15	V
Output Source Current					-50	mA
Output Sink Current					50	mA
Allowable Power Dissipation		SOP-8L, $T_A \leq +25^\circ\text{C}$			570	mW
		MSOP-8L, $T_A \leq +25^\circ\text{C}$			400	mW
		TTSOP-8L, $T_A \leq +25^\circ\text{C}$			400	mW
Storage Temperature			-55		+125	°C
Lead Temperature		SOP-8L, (soldering, 10 sec)			+260	°C
		TSSOP-8L, (soldering, 10 sec)			+260	°C
		MSOP-8L, (soldering, 10 sec)			+260	°C

Suggested IR Re-flow Soldering Curve



Recommended Operating Conditions

Parameter	Symbol	Conditions	Min.	Typ.	Max.	Unit
Supply Voltage			1.8		15	V
Operating Temperature			-10		+85	°C

DC Electrical Characteristics (V_{CC}= +2V, T_A=25°C, unless otherwise noted)

Parameter	Symbol	Test Conditions	Min.	Typ.	Max.	Unit
Under Voltage Lock-Out Section (UVLO)						
Low Threshold Voltage	V _{LOW}				0.9	V
Upper Threshold Voltage	V _{UPPER}		1.1	1.3	1.5	V
Soft Start Section (SS)						
Input Source Current	I _{SS}	V _{SCP} = 0V	-1.5	-1.0	-0.7	μA
Soft Start Threshold Voltage	V _{SST}		0.8	0.9	1.0	V
Short Circuit Protection Section (SCP)						
Input Source Current	I _{SCP}	V _{SCP} = 0V	-1.5	-1.0	-0.7	μA
SCP Threshold Voltage	V _{SCP}		0.7	0.8	0.9	V
Oscillator Section						
Oscillation Frequency	f	R _T =3.0kΩ, C _T =270pF	400	500	600	KHz
Frequency Change With Voltage	Δf / ΔV	V _{CC} =2V to 15V		2	10	%
Frequency Change With Temperature	Δf / ΔT	T _A = 0°C to 85°C		5		%
Idle Period Adjustment Section						
Maximum Duty Cycle	T _{DUTY}	R _T =3.0kΩ, C _T =270pF, V _{FB} =0.8V		85		%
Maximum Duty Cycle Change With Temperature	ΔT _{DUTY} / ΔT	T _A = -10°C to 85°C		10		%
Total Device Section						
Standby Current	I _{STANDBY}	Pin 4 is open or =V _{CC}			1	μA
Average Current Consumption	I _{AVE}	R _B =390Ω, V _{CC} =0~15V		5.0	10	mA
Error Amplifier Section						
Input Threshold Voltage	V _{FB}	V _{COMP} =450mV	490	500	510	mV
V _T Change With Voltage	ΔV _{FB} / ΔV	V _{CC} =2V to 15V		5	20	mV
V _T Change With Temperature	ΔV _{FB} / ΔT	T _A = -10°C to 85°C		1		%
Input Bias Current	I _B		-1.0	-0.2	1.0	μA
Voltage Gain	A _V			100		V / V
Frequency Bandwidth	BW	A _V =0 dB		6		MHz
Output Voltage Swing Positive	V _{POS}		0.78	0.87		V
Output Voltage Swing Negative	V _{NEG}			0.05	0.2	V
Output Source Current	I _{SOURCE}	V _{COMP} =450 mV		-40	-24	μA
Output Sink Current	I _{SINK}	V _{COMP} =450 mV	24	40		μA

Parameter	Symbol	Test Conditions	Min.	Typ.	Max.	Unit
Output Section						
Output High Voltage	V_{OH1}	$R_B=390\Omega, I_O=-15mA$	1.0	1.2		V
	V_{OH2}	$R_B=750\Omega, I_O=-10mA, V_{CC}=1.8V$	0.8	1.0		V
Output Saturation Voltage	V_{OL1}	$R_B=390\Omega, I_O=15mA$		0.1	0.2	V
	V_{OL2}	$R_B=750\Omega, I_O=10mA, V_{CC}=1.8V$		0.1	0.2	V
Output Source Current	$I_{OSOURCE}$	$R_B=390\Omega, V_O=0.9V$		-40	-20	mA
Output Sink Current	I_{OSINK}	$R_B=390\Omega, V_O=0.3V$	30	40	-	mA
Internal Pull-Down Resistor	R_O		20	30	40	k Ω
Output Current Setting / Control Section						
Pin Voltage	V_{BR}	$R_B=390\Omega$	0.15	0.22	0.3	V
Input Off Condition	I_{OFF}		-20		0	μA
Input On Condition	I_{ON}				-45	μA
Pin Current Range	I_{BR}		-1.8		-0.1	mA

Typical Operating Characteristics

($V_{CC}=2V$, $T_A=25^\circ C$, unless otherwise noted)

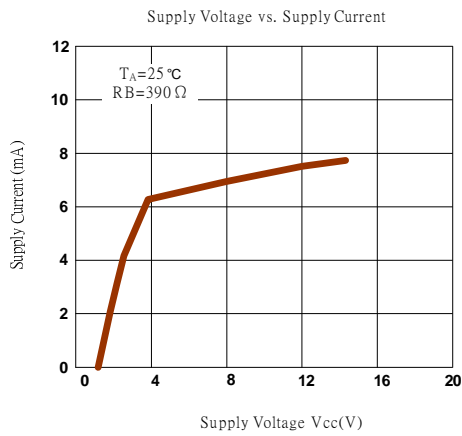


Figure 1

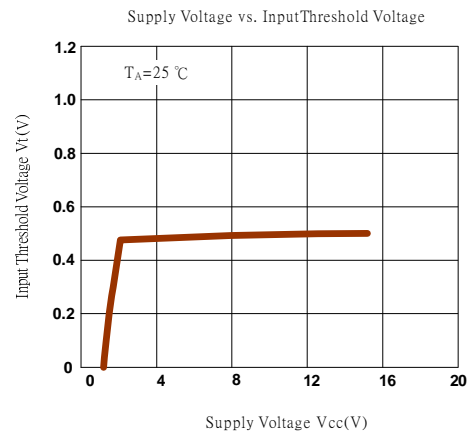


Figure 2

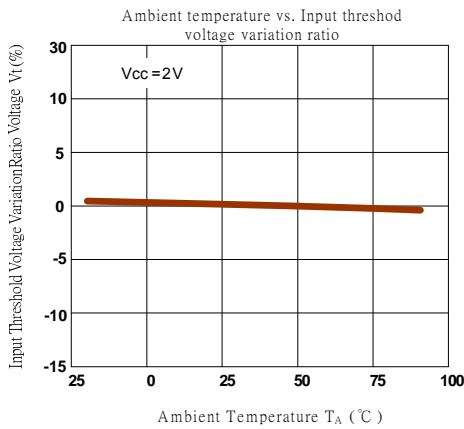


Figure 3

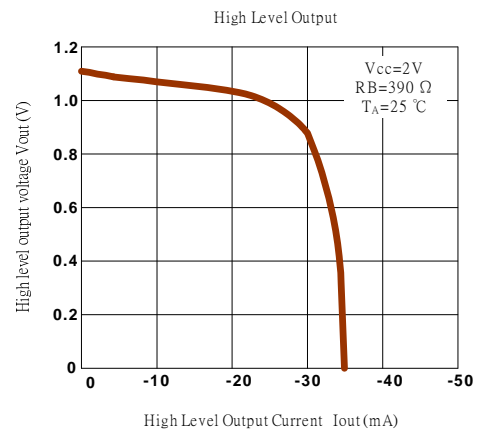


Figure 4

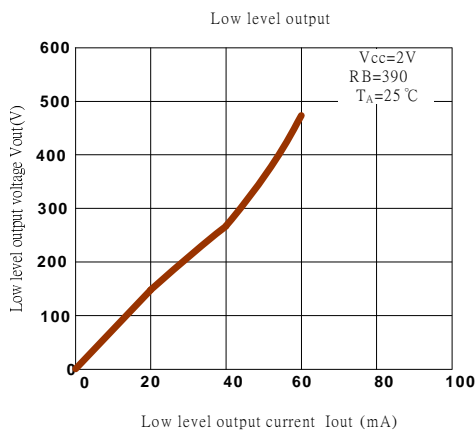


Figure 5

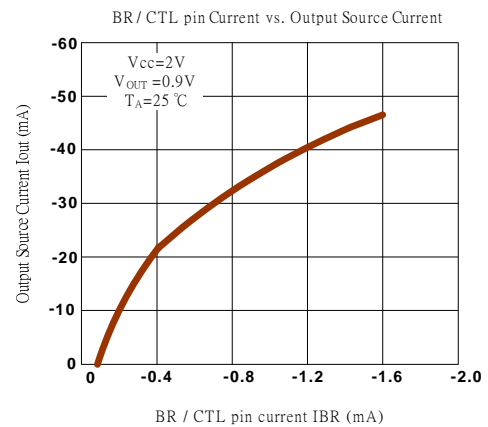


Figure 6

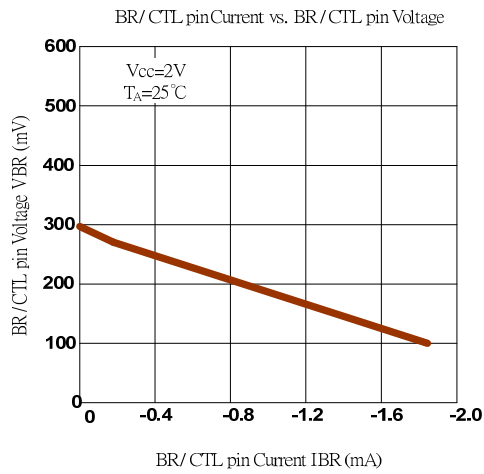


Figure 7

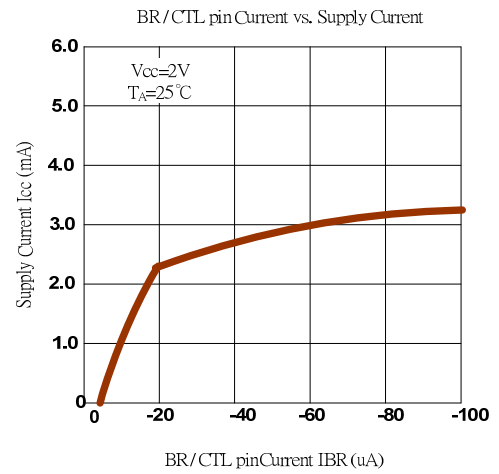


Figure 8

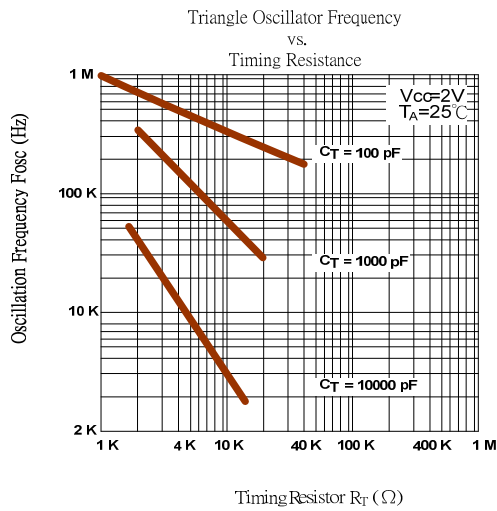


Figure 9

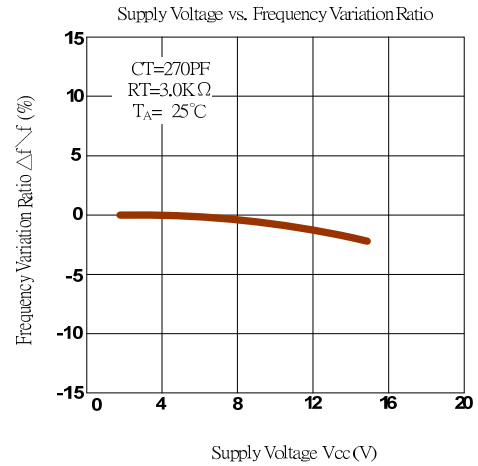


Figure 10

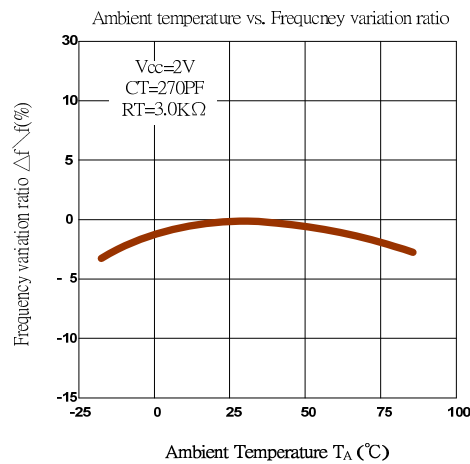


Figure 11

Function Description

Voltage Reference

A 1.25V regulator operating from V_{CC} is used to power the SX1302 internal circuitry. An internal resistive divider provides 0.5V reference for the error amplifier, Soft-start (0.9V typ.) and SCP (0.8V typ.) circuits.

Error Amplifier

The error amplifier compares a sample of the DC-DC converter output voltage to the 0.5V reference and generates an error signal for the PWM comparator. Output voltage of DC-DC converter is setting with the resistor divider using the following equation (see figure12):

$$V_{OUT} = \left(1 + \frac{R1}{R2}\right) \times 0.5$$

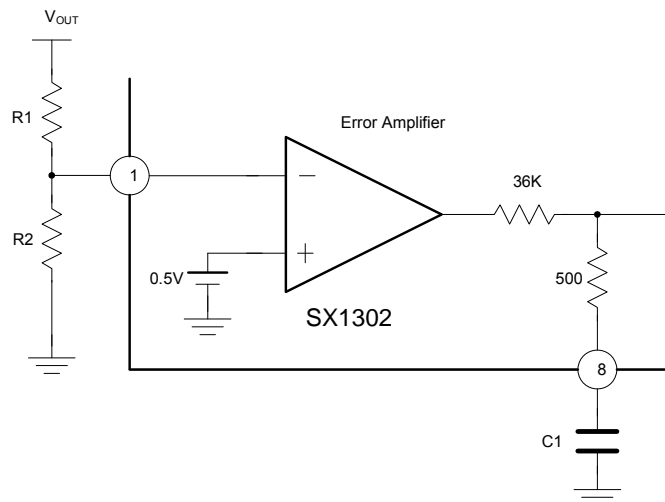


Figure 12 Error Amplifier with Feedback resistance divider

Oscillator

The oscillator frequency can be set from 20KHz to 1MHz by connecting a resistor and a capacitor at OSC pin of SX1302 to ground. The oscillator frequency can be determined by using the graph shown in Figure 9.

The oscillator output is a sawtooth wave with a minimum value of approximately 0.1V and a maximum value of approximately 0.6V. The PWM comparator compares the oscillator voltage with error amplifier output voltage, internal maximum duty control voltage (0.6V typ.) and soft start setting voltage. When the sawtooth wave voltage is lower than all of above three-output voltage, the output of SX1302 is high (Turn on external NPN transistor or NMOS).

Under Voltage Lockout (UVLO)

The under voltage lockout circuits turn the output off whenever the supply voltage drops too low (approximately 0.9V at 25°C) for proper operation. A hysteresis voltage of 200mV eliminates false triggering on noise and chattering.

Soft Start/ Short-circuit protection (SS / SCP)

The soft start is functional after power on. The interval of soft start time is determined by a capacitor connected to SCP pin (pin 2). When soft start function finished, the internal soft start voltage is setting high, but external SCP pin is setting low in order to change to short circuit detection / protection function.

The time of soft start is:

$$T_{ss}[mS] = 0.35 \times C[\mu F]$$

The short circuit protection is triggered when a heavy loading makes output voltage drop and error amplifier output (COMP pin) is larger than V_{POS} (0.9V typ.). The SS pin capacitor will be charged to the SCP threshold voltage (0.8V typ.), then SX1302 output is disabled (internal pull-low) and the capacitor is discharged to low.

The time of short circuit protection is:

$$T_{scp}[mS] = 0.8 \times C[\mu F]$$

Output Transistor

The SX1302 has a totem-pole transistor with a 40mA source/sink current capability to drive an external NPN transistor or NMOS directly. The driving current capability depends on a resistor R that is connected to BR / CTL pin (Pin4) of SX1302. (see figure 13)

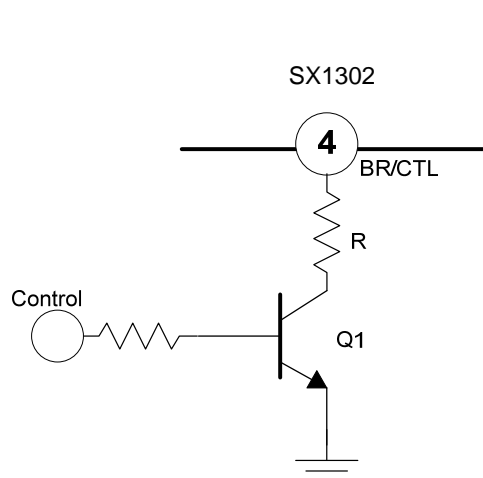


Figure 13 Output Transistor Driving Control Circuit

BR / CTL pin can also use to control the output of SX1302 for disable or enable function of system.

Control Pin	Q1	BR / CTL Pin	Output Transistor Function	Mode
Low	Off	Open	Disable	Stand-by
High	On	Bias Current	Enable	Operation

Application Information

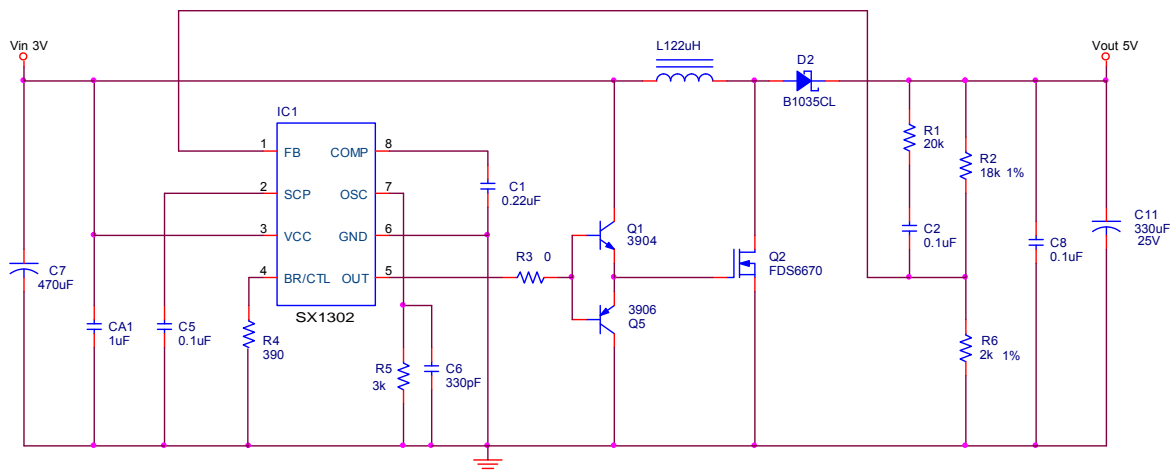


Figure14 DC 3V to DC 5V Boost Converter Circuit

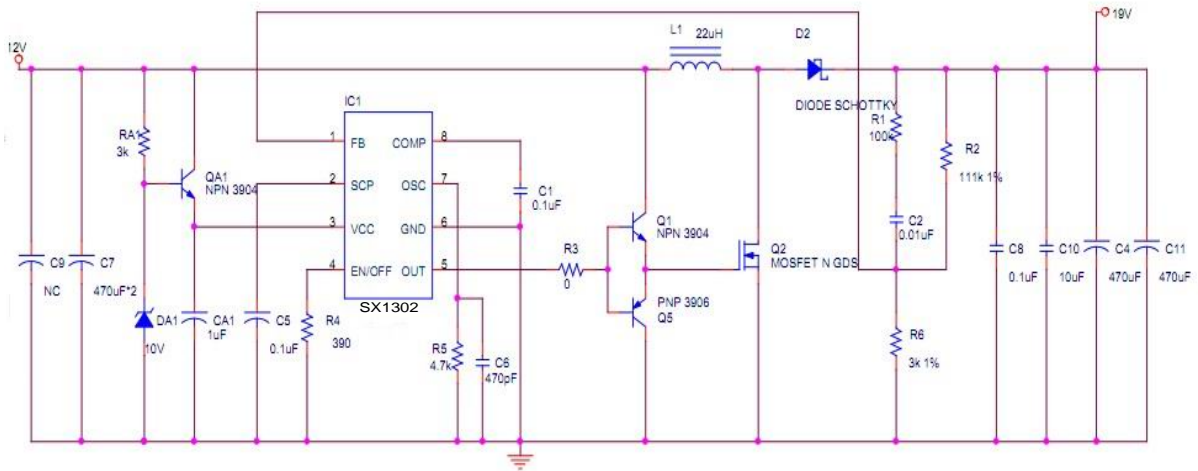


Figure15 DC 12V to DC 19V Boost Converter Circuit

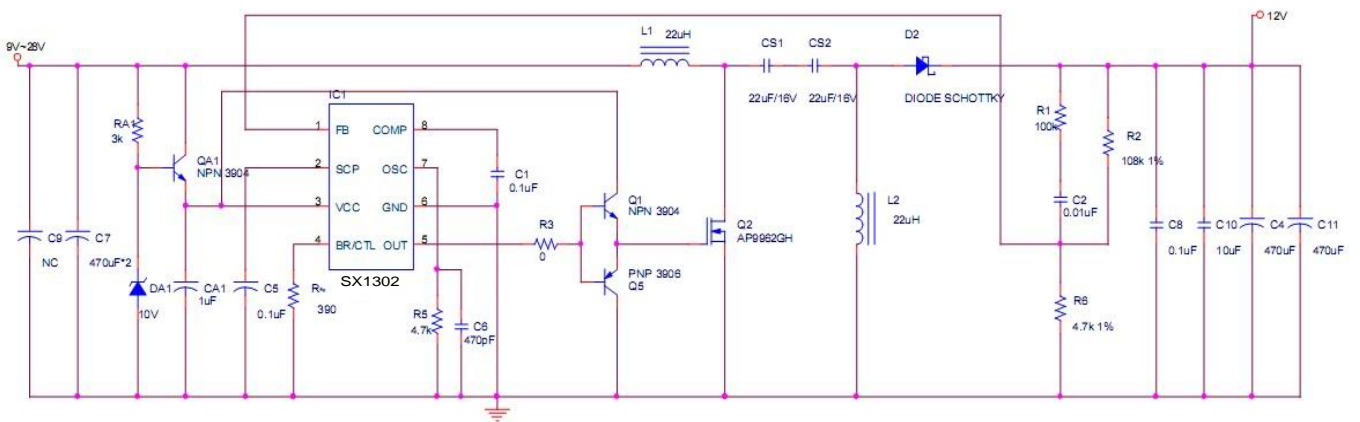


Figure16 DC 9V~24V to DC 12V SEPIC Converter Circuit

Timing Waveform

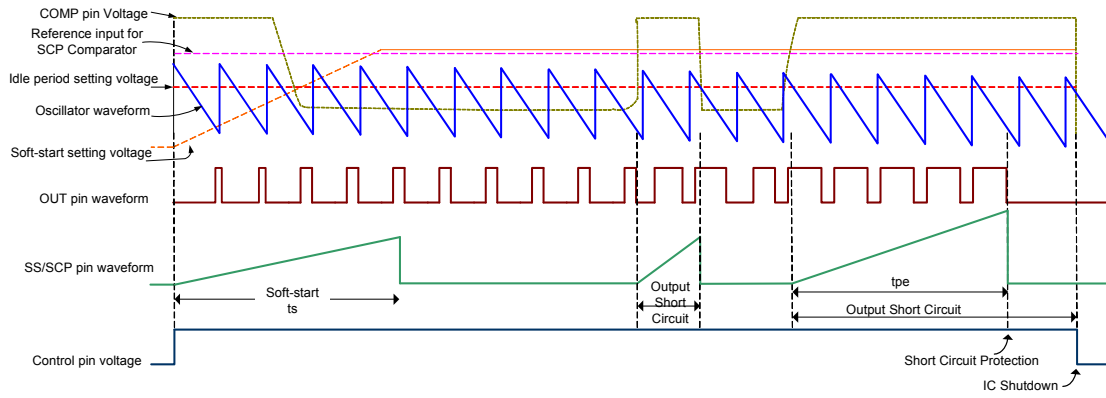
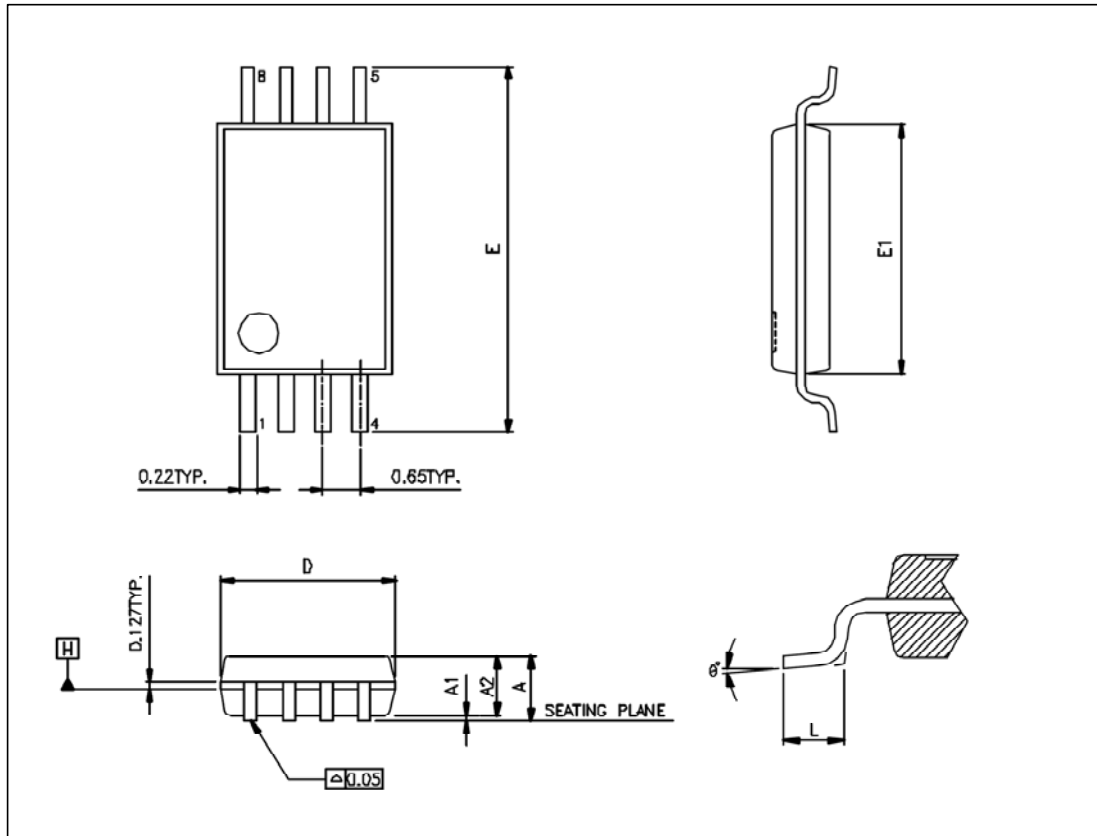


Figure17 Timing Diagram

Package Outline
TSSOP-8L

UNIT: mm

Symbols	Min. (mm)	Max. (mm)
A		1.200
A1	0.050	0.150
A2	0.960	1.060
D	2.900	3.100
E	6.400 BSC	
E1	4.300	4.500
L	0.450	0.750
θ°	0°	8°

Notes:

1. Package dimensions are in compliance with JEDEC outline: MO-153 AA.
2. Dimension "D" does not include molding flash, protrusions or gate burrs.
3. Dimension "E1" does not include inter-lead flash or protrusions.