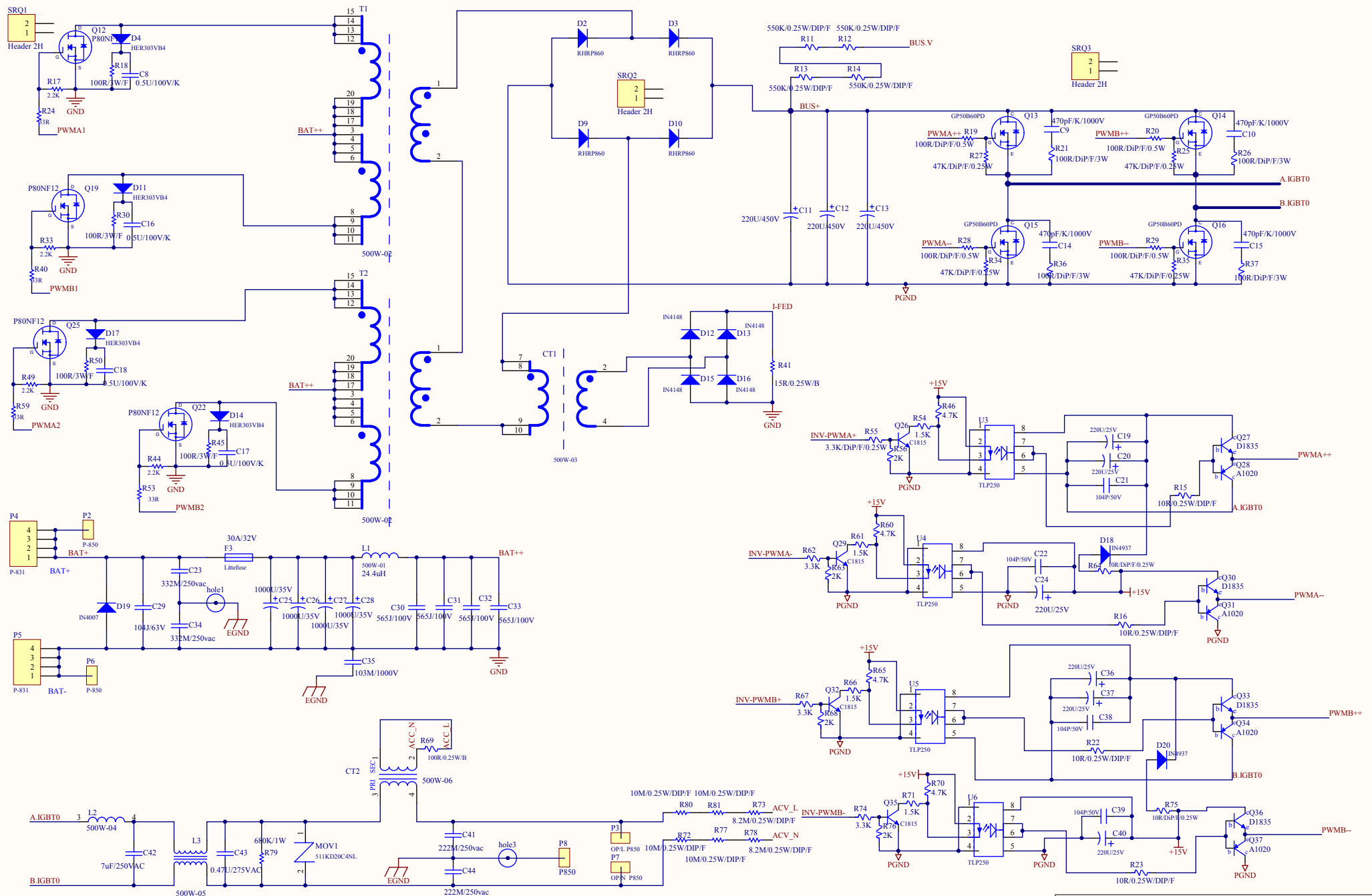


Title		
Size	Number	Revision
A4		
Date:	2013/2/22	Sheet of
File:	F:\500W \ \DC-DC .Sch	Drawn By:



Title		
Size	Number	Revision
A3		
Date:	2013/2/22	Sheet of
File:	F:500W	SchDoc Drawn By: