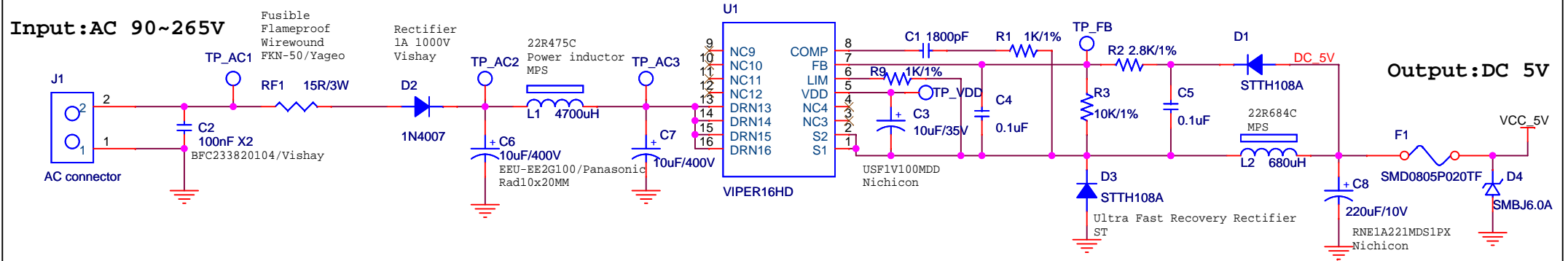


VIPER16 buck converter



Title		
Smart_Plug_ACDC		
Size	Document Number	Rev
		0.1
Date:	Wednesday, February 27, 2013	Sheet 2 of 2