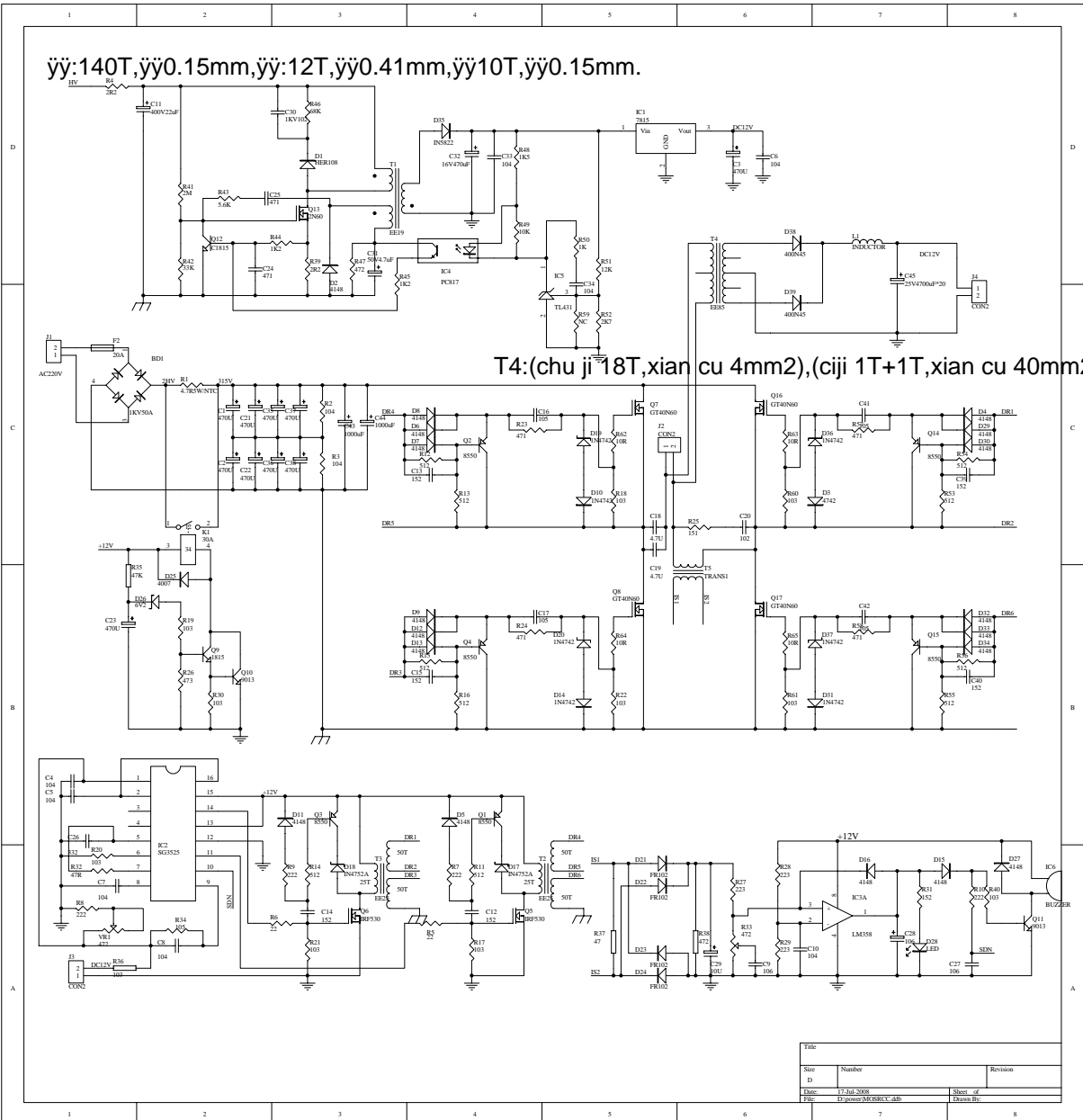


ÿÿ:140T,ÿÿ0.15mm,ÿÿ:12T,ÿÿ0.41mm,ÿÿ10T,ÿÿ0.15mm.



T4:(chu ji 18T,xian cu 4mm2),(ciji 1T+1T,xian cu 40mm2)

File	Number	Revision
Sheet		
Drawn	15-Jun-2008	Sheet of
File	D:\power\MCSRC.dwg	Drawn By: