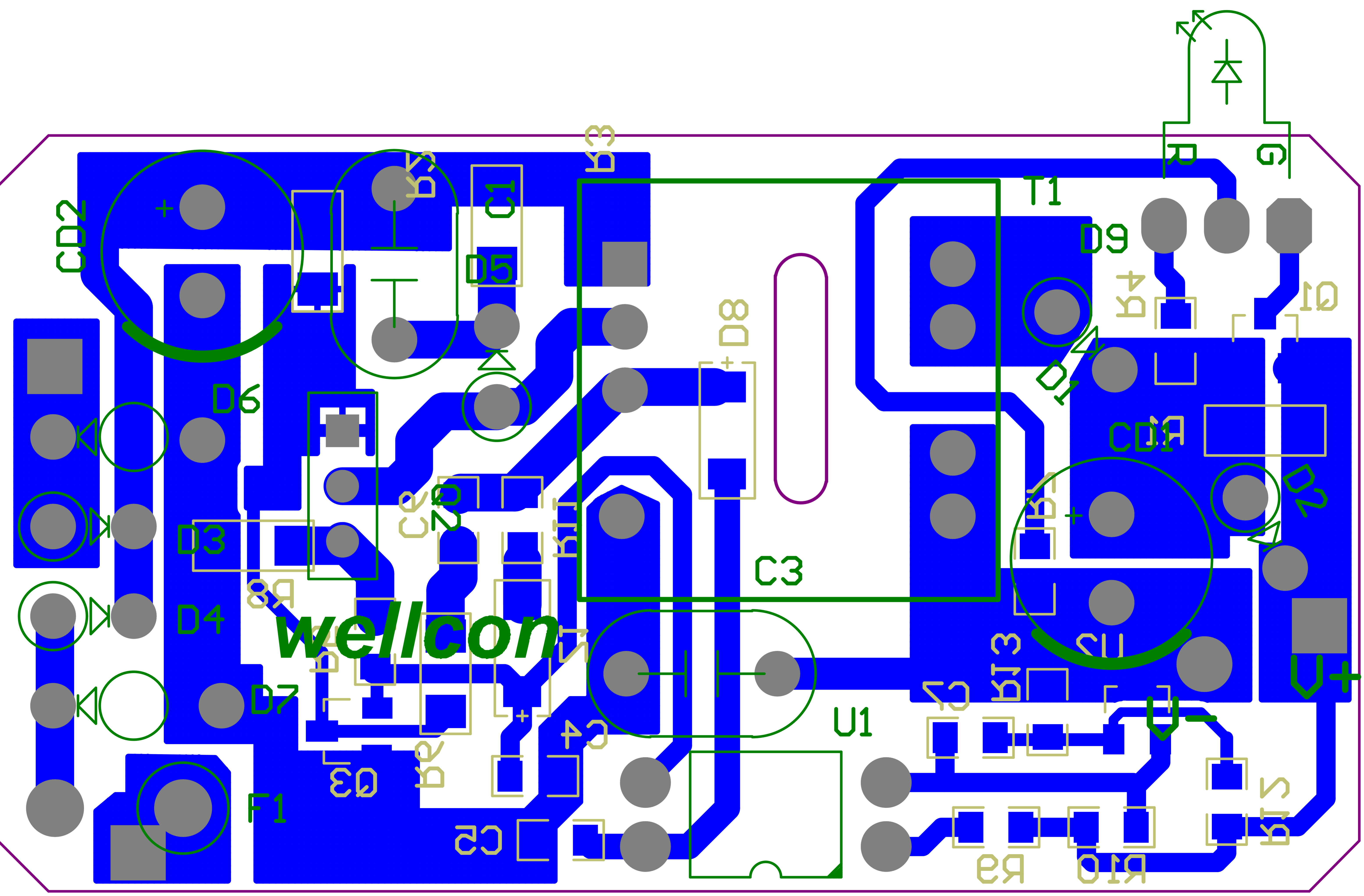


Title		
Size	Number	Revision
A4		
Date:	2013/5/17	Sheet of
File:	F:\ \.\13003.SchDoc	Drawn By:



wellcon

CD2

+

B3

C1

B3

T1

D9

4R

10

D6

D5

D8

D4

CD1

D2

D3

C2

C3

D3

+

D4

8R

wellcon

HT1

U1

31R

13

+

F1

30

2R

C2

C4

C2

31R

13

51R

R3

R10

51R

G

R

+

+

G