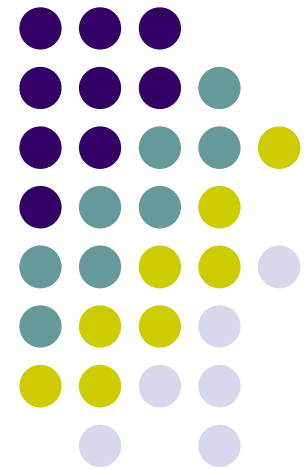


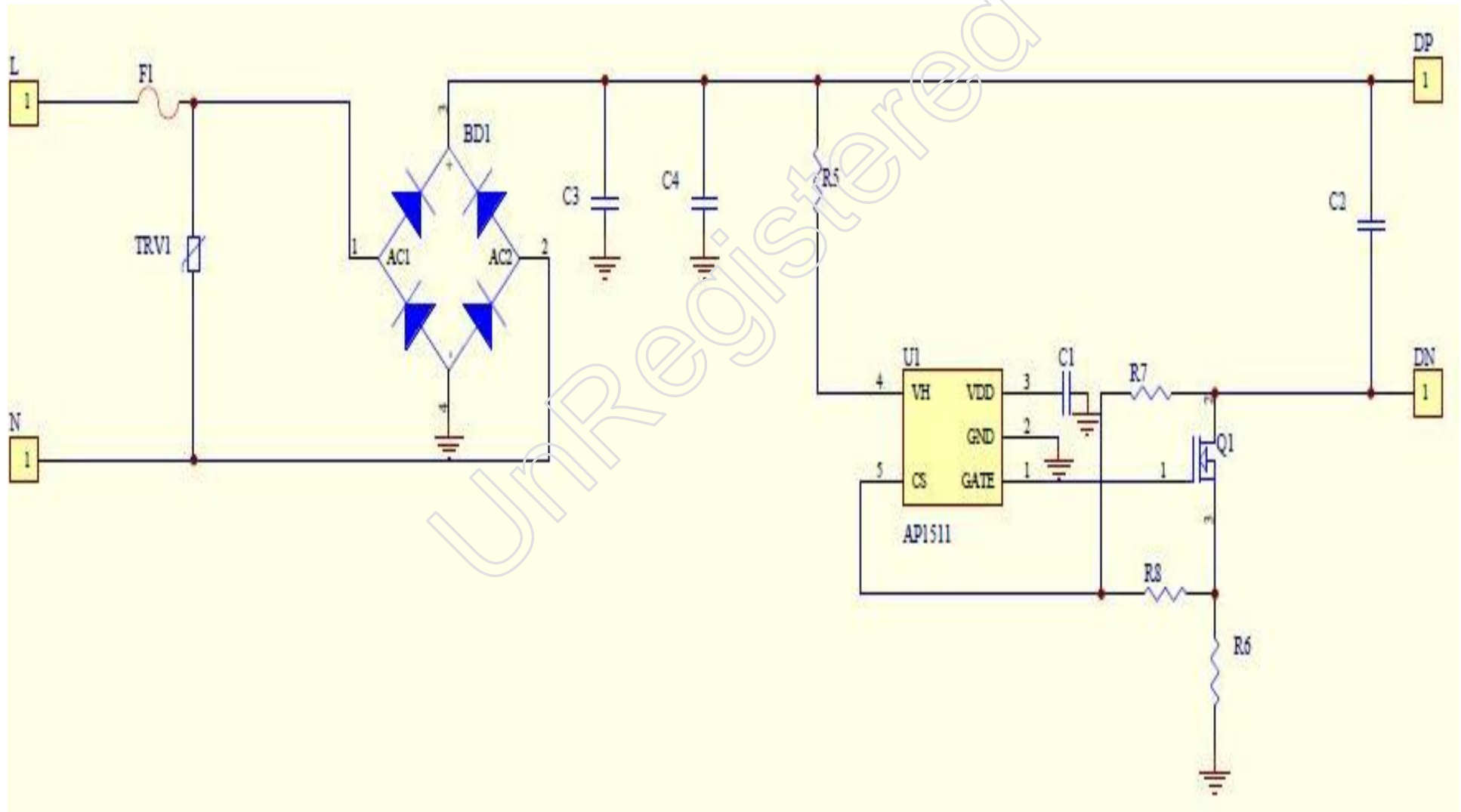
AS1511



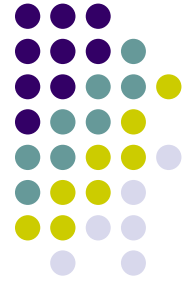
日期：2013/05/09

Author：Saywa / 黃鍾信

AS1511 Application Circuit



AS1511_ BOM Table



ITEM	Component	Specification	Amount	Location
1	Fuse	SMD, 1206,2A/250V	1	F1
2	Resistor	SMD, 0805,5.1K	1	R5
3	Resistor	SMD, 0603,2R2	1	R6
4	Resistor	SMD, 0603,1M	1	R7
5	Resistor	SMD, 0603,4.3K	1	R8
6	MLCC	SMD, 0603, 1uF/16V X7R	1	C1
7	EC Cap	DIP, 8x11.5, 10uF, +/-20%, 400V	1	C2
8	NMOS	DIP, TO251,4N60,4A/600V	1	Q1
9	AC/DC IC	AS1511(SOT25)	1	U1
10	Bridge	SMD,TB6S,1A/600V	1	BD1

AS1511 Metrical data



$AC^{(V)}$	$W^{(W)}$	PF	$V_{LED} (V)$	$I_{LED} (mA)$	η (%)
200	15.1	0.713	250.2	55.0	91.1
220	17.9	0.795	252.3	62.0	87.4
230	17.8	0.801	252.0	60.1	85.1
240	16.2	0.767	250.7	54.8	84.8

AS1511



MOS Temp = 60°C