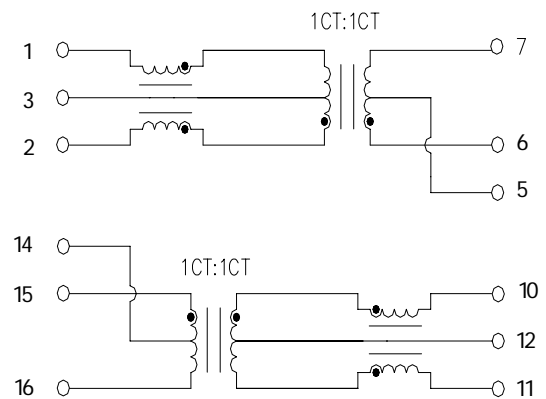
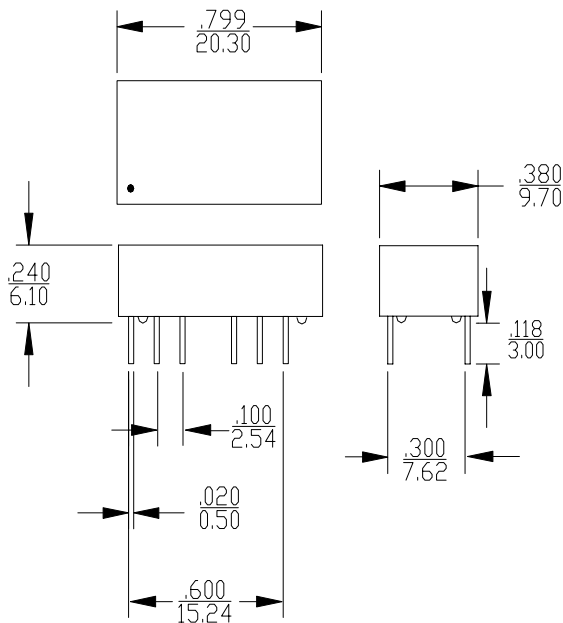


- ★ Designed to meet IEEE802.3u requirement
- ★ Lead-Free & Designed to meet ROHS requirement
- ★ Primary inductance 350μH min with 8mA DC Bias
- ★ Operating temperature range: 0°C to +70°C
- ★ Storage temperature range: 0°C to +85°C

Electrical Specifications @ 25°C													
Part Number	Turn Ratio		Insertion Loss 1~100MHz (dB Max)	Return Loss (dB Min)			Cross Talk (dB Min)			DCMR (dB Min)			Hi-Pot (Vrms MIN)
	Tx	Rx		30MHz	60MHz	80MHz	30MHz	60MHz	100MHz	30MHz	60MHz	100MHz	
BL761601	1:1	1:1	-1.1	-16	-13	-12	-45	-40	-35	-35	-35	-30	1500

### Mechanical

### Schematic



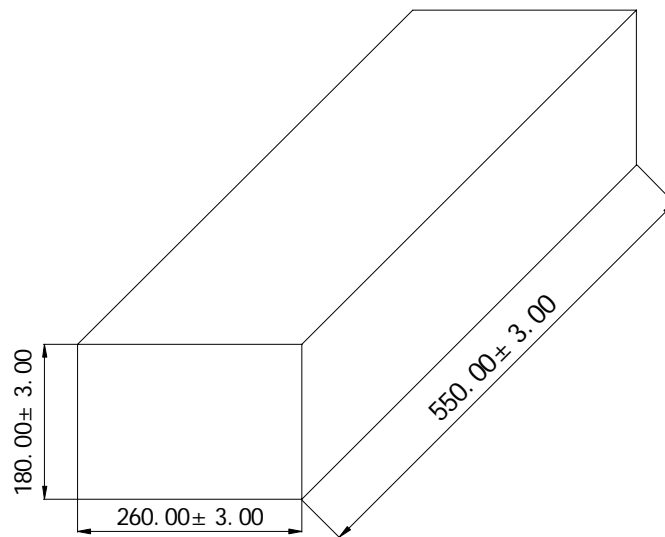
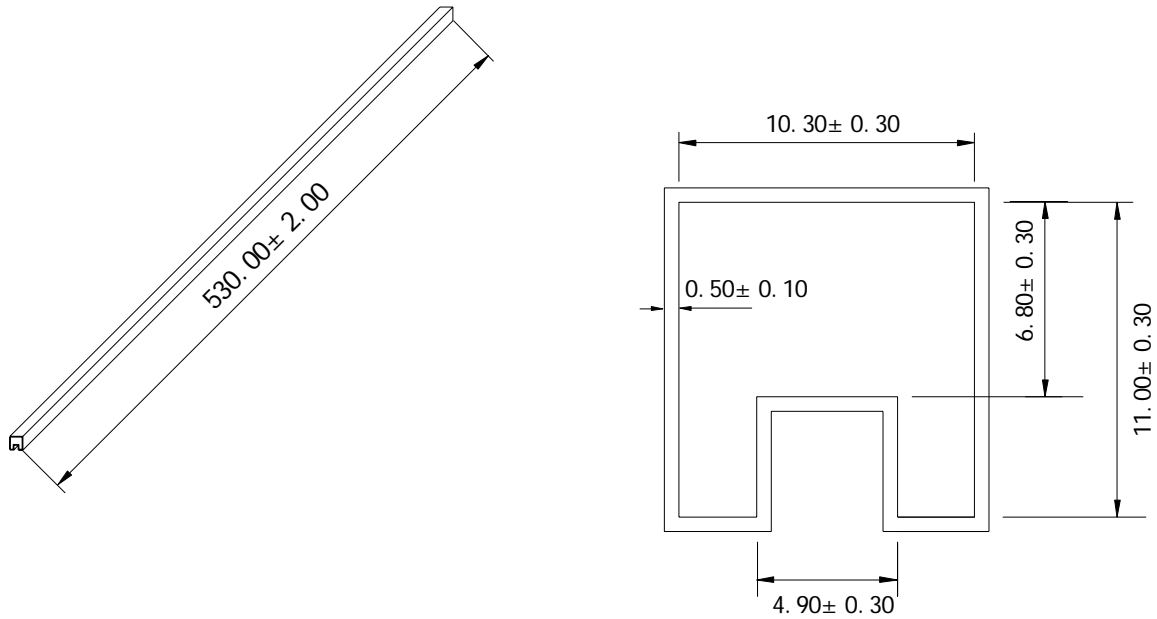
Dimensions: Inches/mm

Unless otherwise specified, tolerances: xx.x0 ± 0.25 (mm)

0.xx ± 0.05 (mm)

Data sheet subject to change without notice

belling代理 13928421909 周先生。



Units: mm

- 1、MATERIAL TRANSPARENT: PVC  
PLUG COLOR: WHITE
- 2、ONE TUBE : 25PCS
- 3、ONE CARTON : 6000PCS

Data sheet subject to change without notice