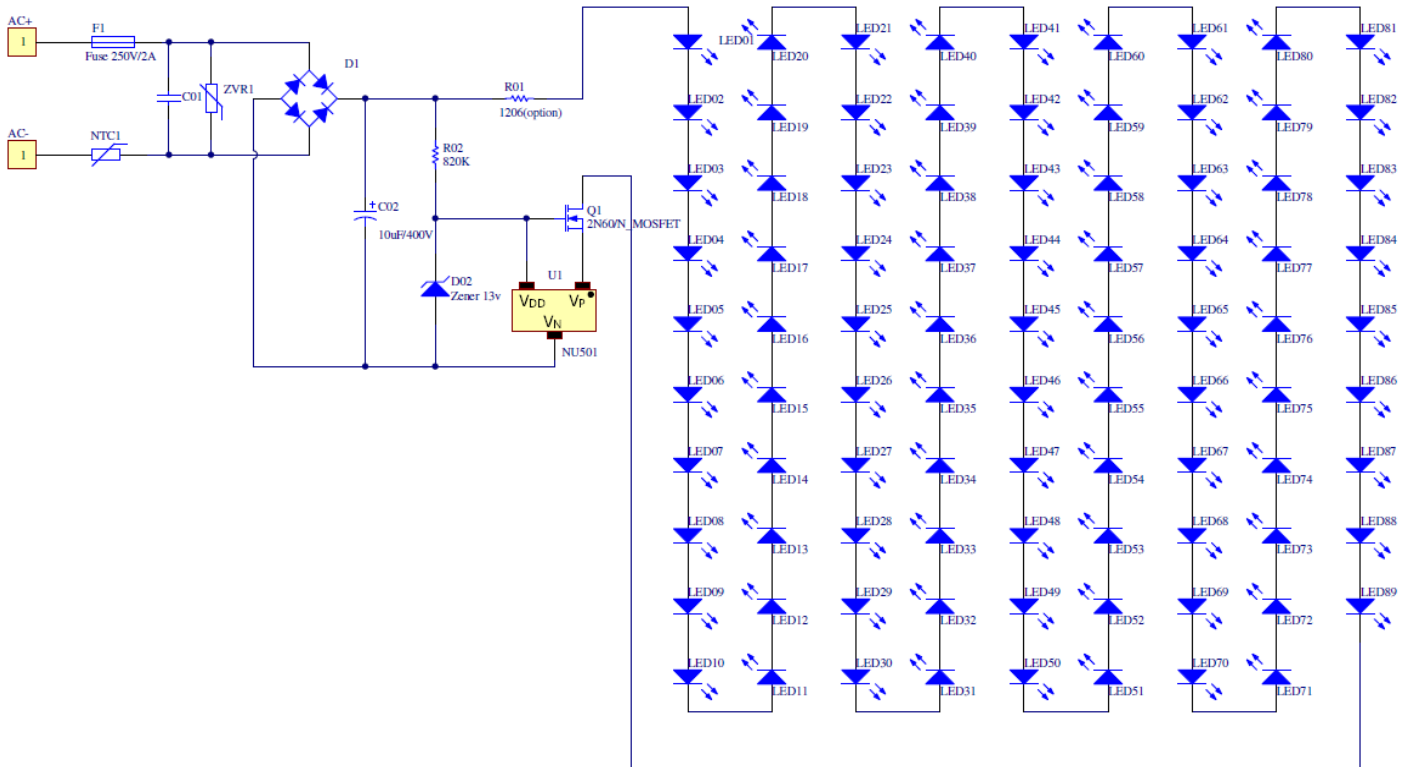


BOM for NU501 AC220V 89LED lightbar



NO.	Designator	Components	Description	Footprint	Quantity
1	C01	RFI Capacitor	0.1uF/250VAC	DIP-10mm	1
2	C02	Electrolytic Capacitor	10uF/400V	DIP-5mm	1
3	D02	Zener Diode	Zener 13V	SOD-123	1
4	D1	Bridge Diode	MB6S	TO-269AA	1
5	F1	Fuse	2A/250V	DIP-12mm	1
6	LED01~LED89	LED	LITEON	SMD-3014	89
7	NTC1	NTC	2.5 ohm/5A	DIP-5mm	1
8	Q1	NMOS FET	2N60	TO-252	1
9	R01	Resistor	option	SMD-1206	1
10	R02	Resistor	820k ohm	SMD-0805	1
11	U1	IC	NU501	SOT-23	1
12	ZVR1	突波吸收器	07D561K	DIP-5mm	1