

A

A

B

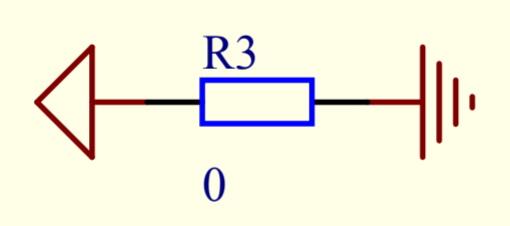
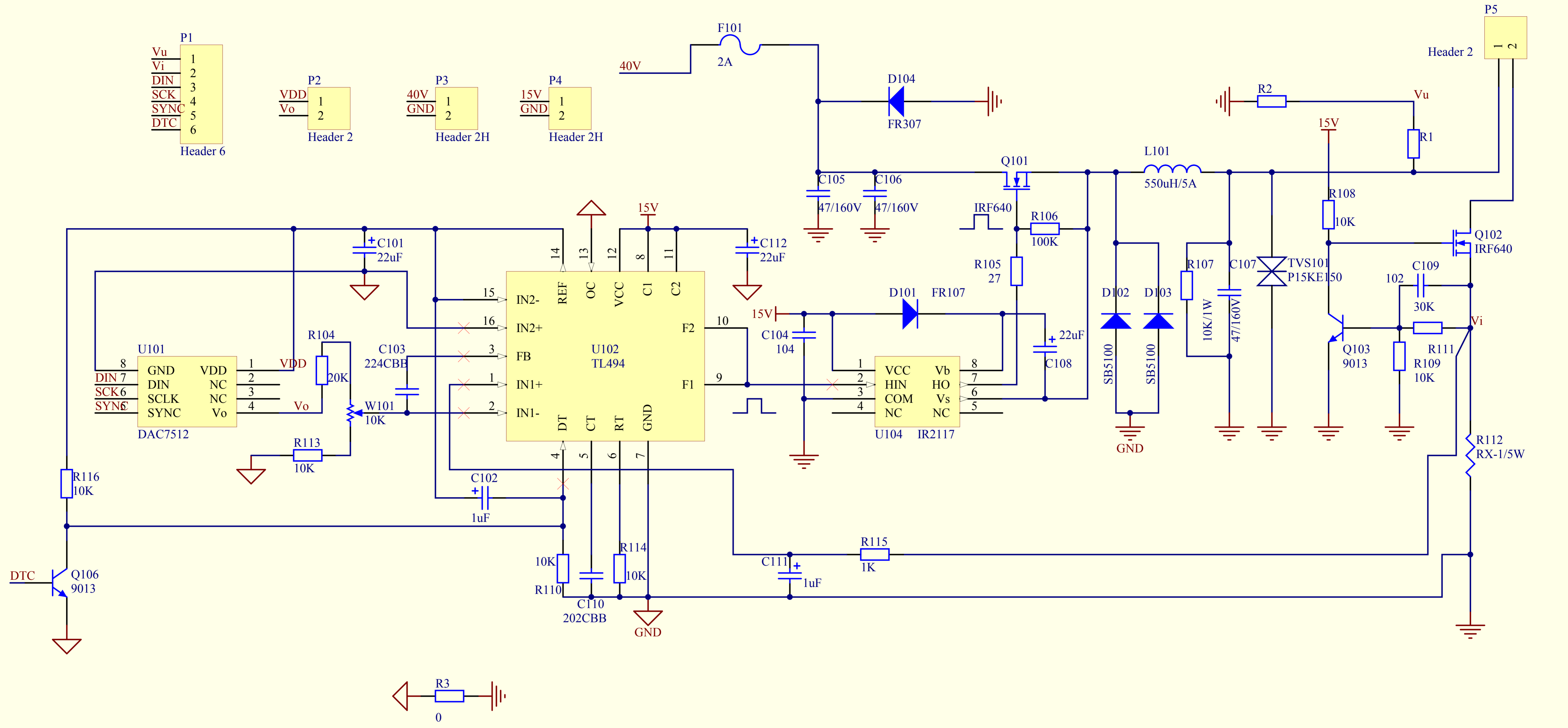
B

C

C

D

D



Title		
Size	Number	Revision
A4		
Date:	2013-7-8	Sheet of
File:	E:\ \.SchDoc	Drawn By:

