

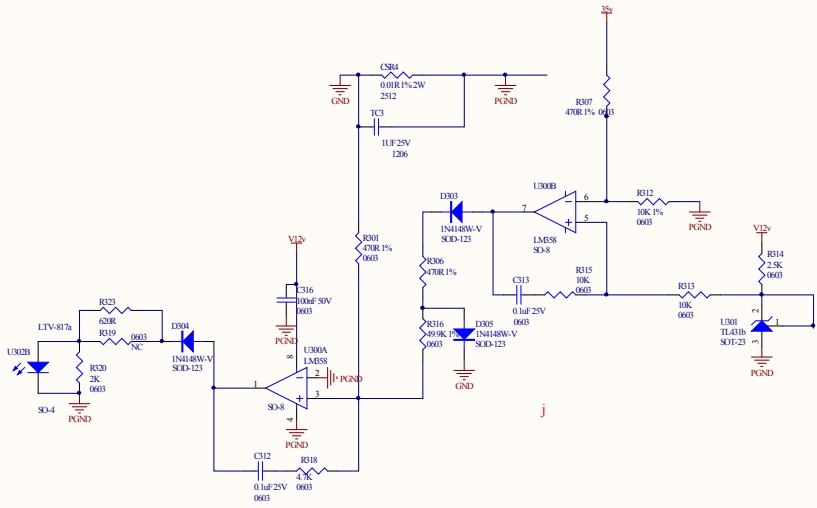
1 2 3 4 5 6 7 8

A

B

C

D



Title		
Size	Number	Revision
A3		
Date:	2015/7/23	Sheet of
File:	Expb	Drawn by:

1 2 3 4 5 6 7 8