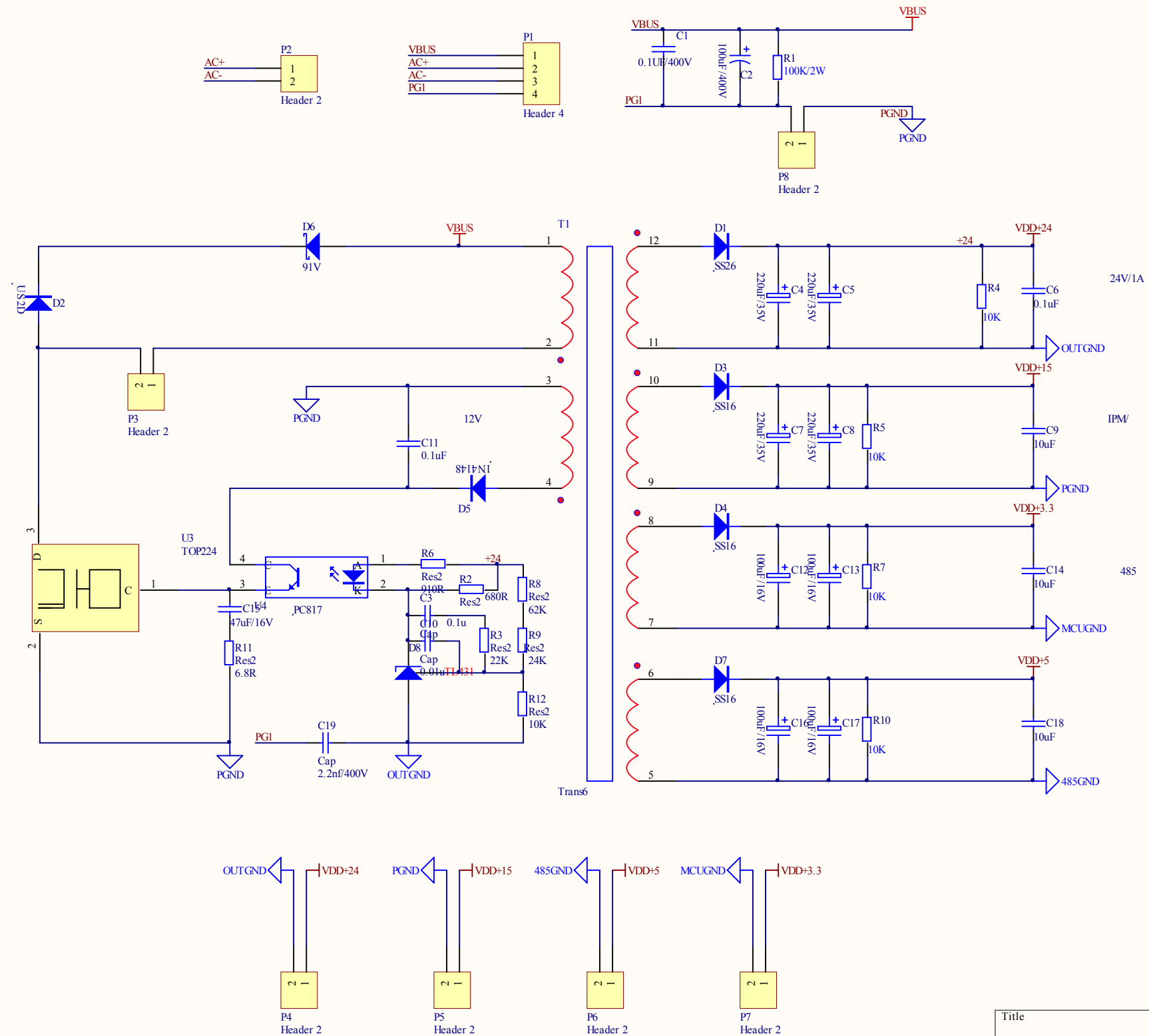


TOP224



Title		
Size	Number	Revision
A3		
Date:	2013/7/28	Sheet of
File:	D:\...Sheet1.SchDoc	Drawn By: