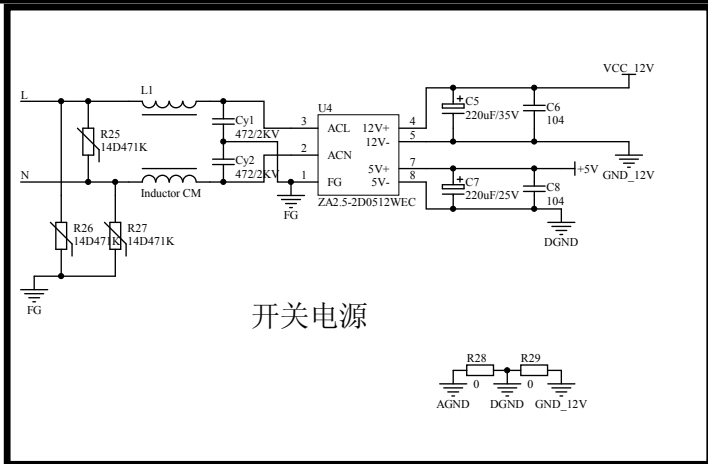


# LED



Title		
Size	Number	Revision
A3		
Date:	2013-08-14	Sheet of
File:	E:\ \XJDL2F-4L4T-DIS SchDde	Drawn By: