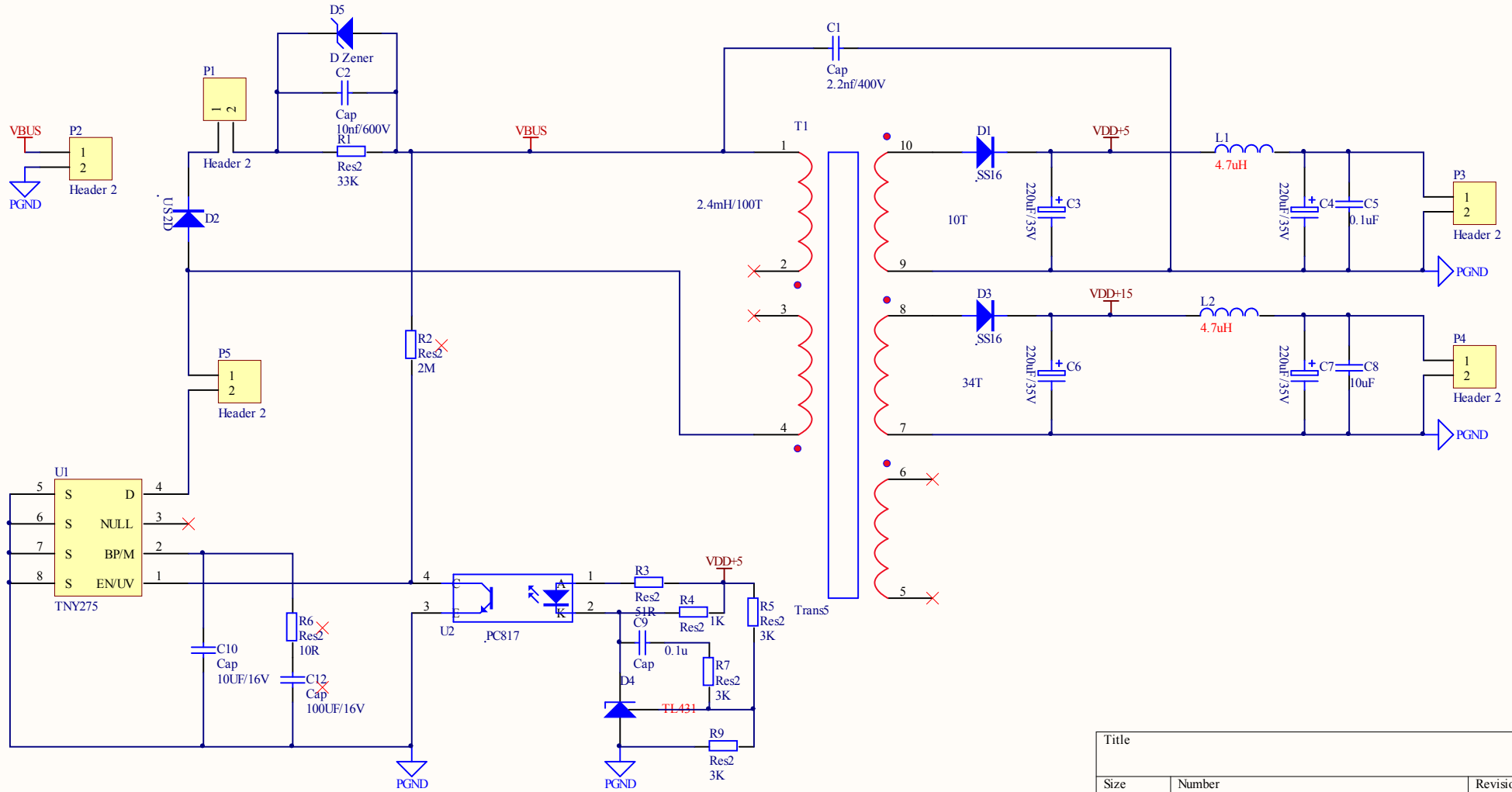


# TNY275



Title		
Size	Number	Revision
A4		
Date:	2013/8/27	Sheet of
File:	D:\...\Sheet1.SchDoc	Drawn By:

Comment	Description	Designator	Footprint	LibRef	Quantity
Cap	Capacitor	C1	RAD-0.3	Cap	1
Cap	Capacitor	C2, C10	1206	Cap	2
220uF/35V	Electrolytic Capacitor	C3, C6	CAP_SMD_10.0mm	ELECTRO1	2
470uF/25V	Electrolytic Capacitor	C4, C7	CAP_SMD_10.0mm	ELECTRO1	2
0.1uF	Capacitor	C5, C8	0805	CAP	2
Cap	Capacitor	C9	0805	Cap	1
Cap	Capacitor	C12	CAP_SMD_6.3mm	Cap	1
SS16	Diode	D1, D3	1808D	DIODE	2
US2D	Diode	D2	1808D	DIODE	1
D Zener2	Zener Diode	D4	SOT23	D Zener2	1
D Zener	Zener Diode	D5	1808D	D Zener	1
Inductor	Inductor	L1, L2	RB3.5/8	Inductor	2
Header 2	Header, 2-Pin	P1, P5	CON2-5MM	Header 2	2
Header 2	Header, 2-Pin	P2	HOLE	Header 2	1
Header 2	Header, 2-Pin	P3, P4	CON2	Header 2	2
Res2	Resistor	R1, R2, R3, R4, R5, R6, R7, R9	0805	Res2	8
Trans5		T1	EE20	Trans5	1
TNY275		U1	DIP8	TNY275	1
PC817	Optoisolator	U2	SOP4/2.54	OPTOISO1	1