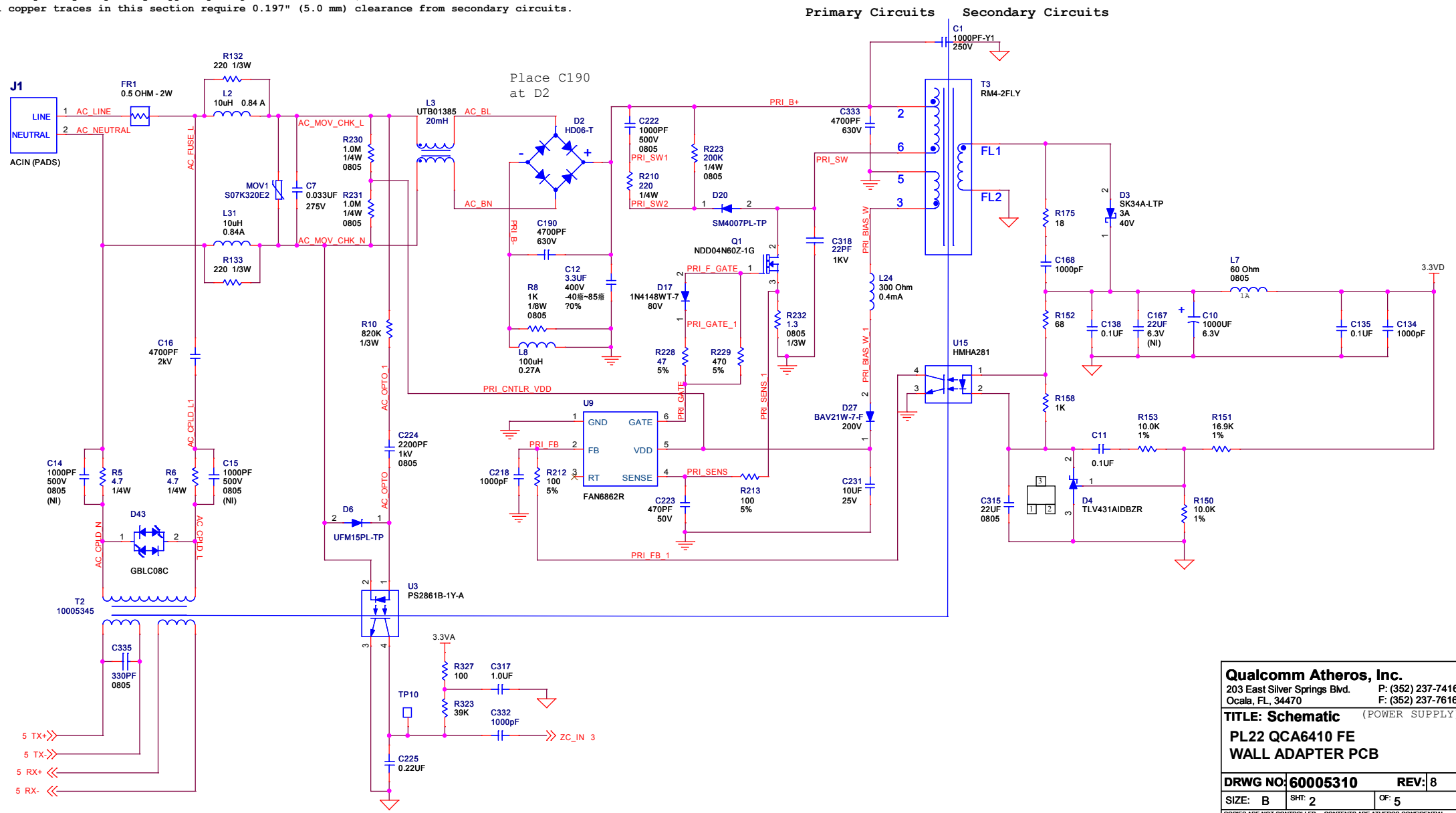


For 120 VAC:
Minimum primary to primary copper spacing is 0.079" (2 mm), and the minimum trace width is 0.010" (0.26 mm).
All copper traces in this section require 0.157" (4 mm) clearance from the secondary circuits.
For 240 VAC:
Minimum primary to primary copper spacing is 0.118" (3 mm), and the minimum trace width is 0.020" (0.51mm).
All copper traces in this section require 0.197" (5.0 mm) clearance from secondary circuits.



Qualcomm Atheros, Inc.
203 East Silver Springs Blvd. P: (352) 237-7416
Ocala, FL, 34470 F: (352) 237-7616

TITLE: Schematic (POWER SUPPLY)
PL22 QCA6410 FE
WALL ADAPTER PCB

DRWG NO: 60005310 **REV: 8**
SIZE: B **SHT: 2** **OF: 5**

COPIES ARE NOT CONTROLLED - CONTENTS ARE Atheros CONFIDENTIAL