

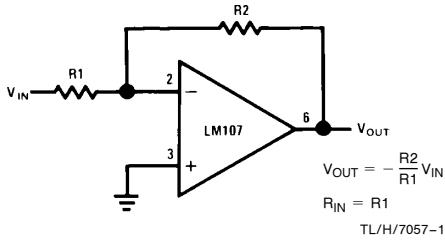
Op Amp Circuit Collection

National Semiconductor
Application Note 31
February 1978

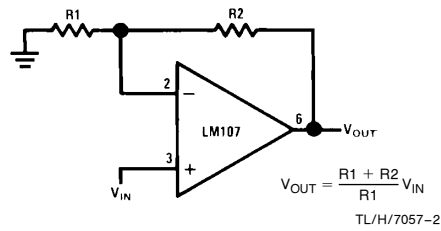


SECTION 1—BASIC CIRCUITS

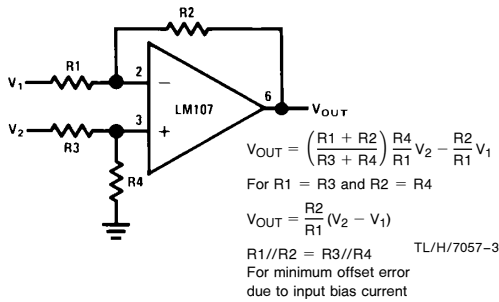
Inverting Amplifier



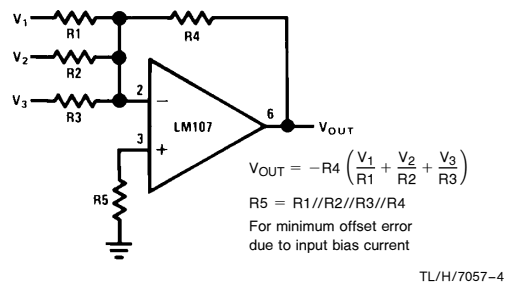
Non-Inverting Amplifier



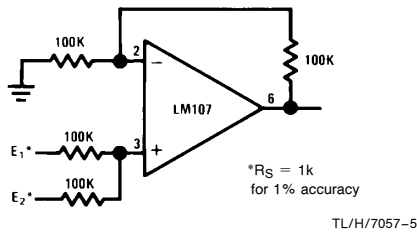
Difference Amplifier



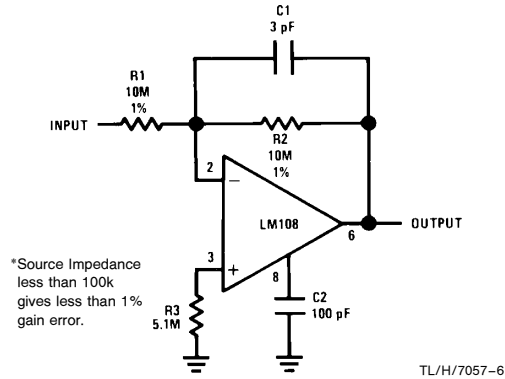
Inverting Summing Amplifier



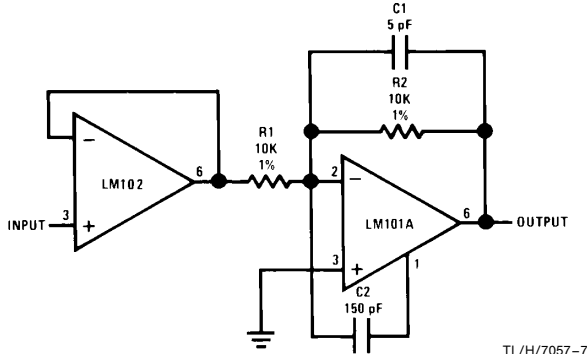
Non-Inverting Summing Amplifier



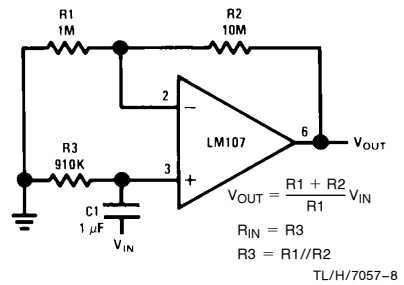
Inverting Amplifier with High Input Impedance



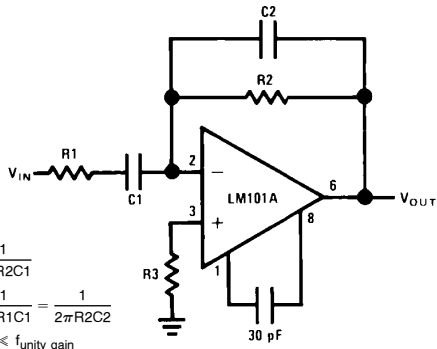
Fast Inverting Amplifier with High Input Impedance



Non-Inverting AC Amplifier



Practical Differentiator



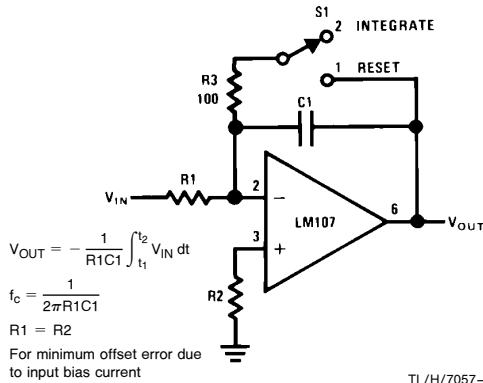
$$f_c = \frac{1}{2\pi R_2 C_1}$$

$$f_h = \frac{1}{2\pi R_1 C_1} = \frac{1}{2\pi R_2 C_2}$$

$$f_c \ll f_h \ll f_{\text{unity gain}}$$

TL/H/7057-9

Integrator



$$V_{OUT} = -\frac{1}{R_1 C_1} \int_{t_1}^{t_2} V_{IN} dt$$

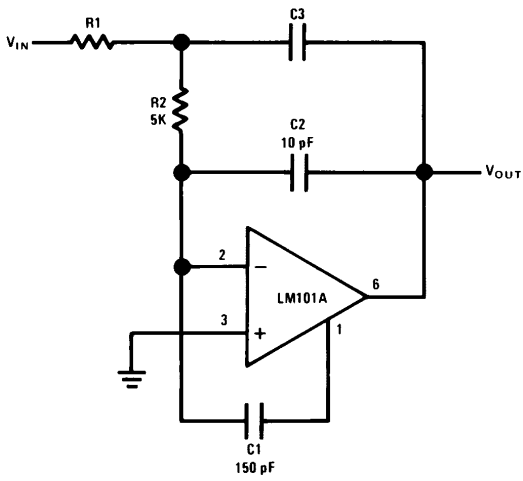
$$f_c = \frac{1}{2\pi R_1 C_1}$$

$$R_1 = R_2$$

For minimum offset error due to input bias current

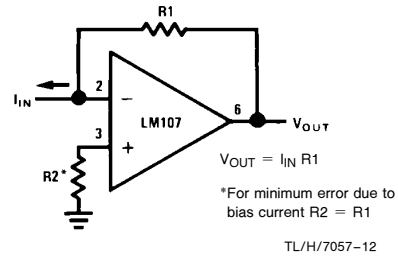
TL/H/7057-10

Fast Integrator



TL/H/7057-11

Current to Voltage Converter

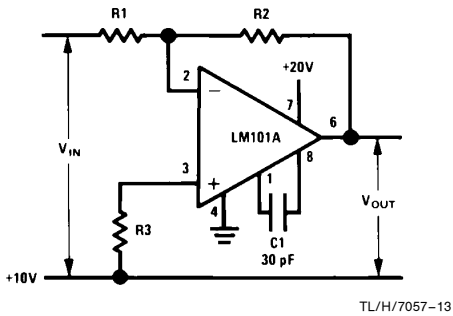


$$V_{OUT} = I_{IN} R_1$$

*For minimum error due to bias current $R_2 = R_1$

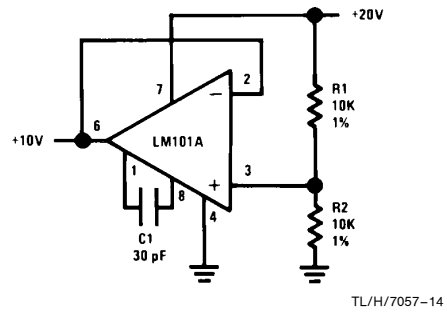
TL/H/7057-12

Circuit for Operating the LM101 without a Negative Supply



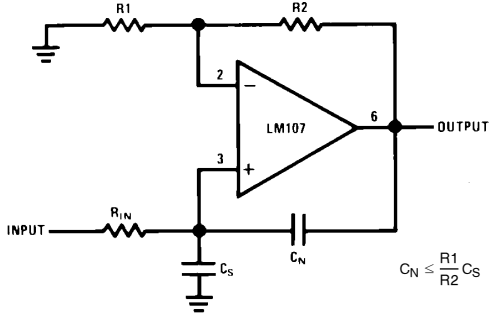
TL/H/7057-13

Circuit for Generating the Second Positive Voltage



TL/H/7057-14

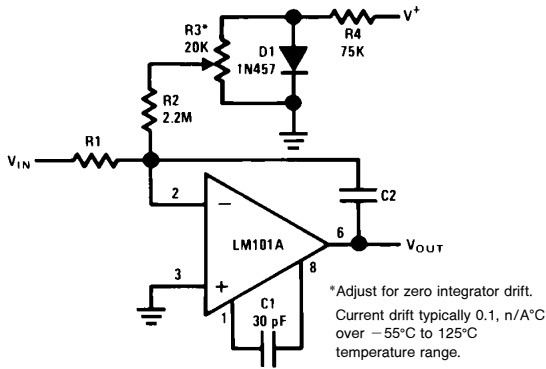
Neutralizing Input Capacitance to Optimize Response Time



$$C_N \leq \frac{R_1}{R_2} C_S$$

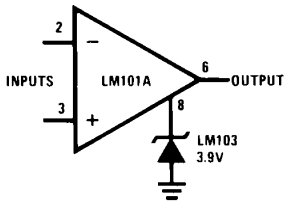
TL/H/7057-15

Integrator with Bias Current Compensation



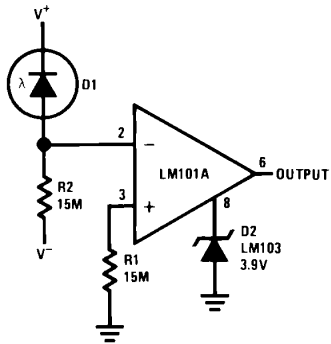
TL/H/7057-16

Voltage Comparator for Driving DTL or TTL Integrated Circuits



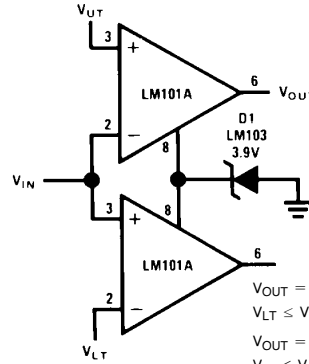
TL/H/7057-17

Threshold Detector for Photodiodes



TL/H/7057-18

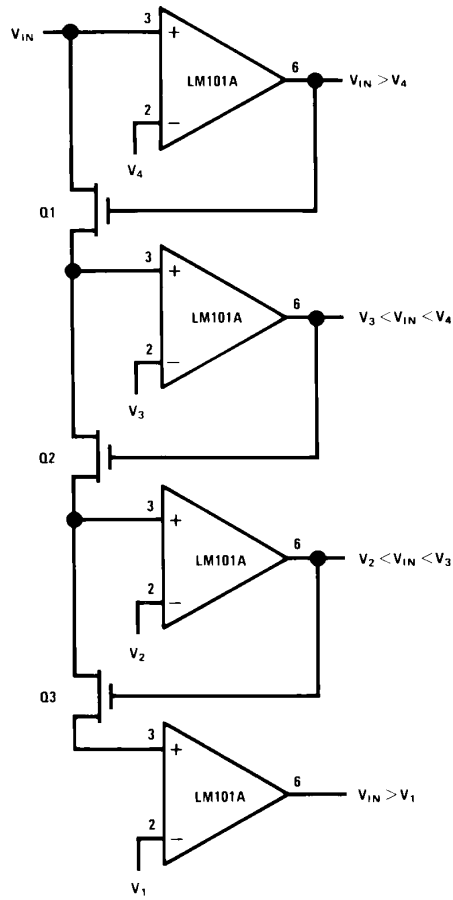
Double-Ended Limit Detector



$V_{OUT} = 4.6V$ for $V_{LT} \leq V_{IN} \leq V_{UT}$
 $V_{OUT} = 0V$ for $V_{IN} < V_{LT}$ or $V_{IN} > V_{UT}$

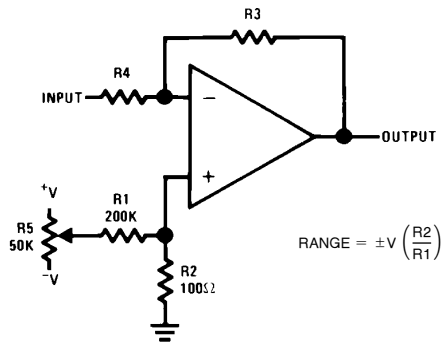
TL/H/7057-19

Multiple Aperture Window Discriminator



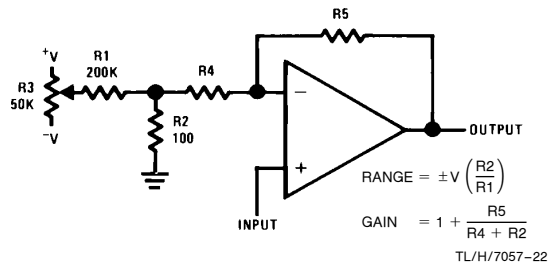
TL/H/7057-20

Offset Voltage Adjustment for Inverting Amplifiers Using Any Type of Feedback Element

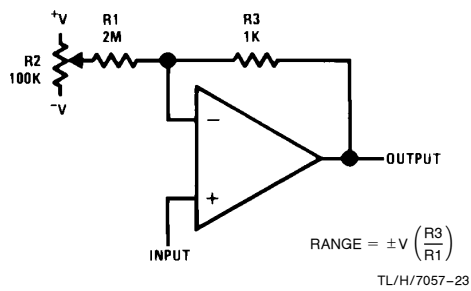


TL/H/7057-21

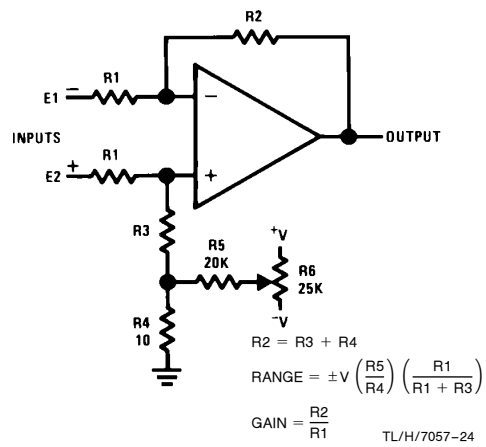
Offset Voltage Adjustment for Non-Inverting Amplifiers Using Any Type of Feedback Element



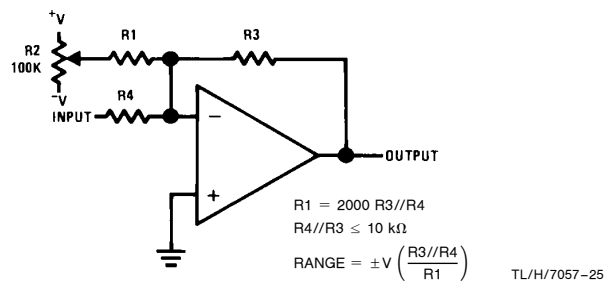
Offset Voltage Adjustment for Voltage Followers



Offset Voltage Adjustment for Differential Amplifiers

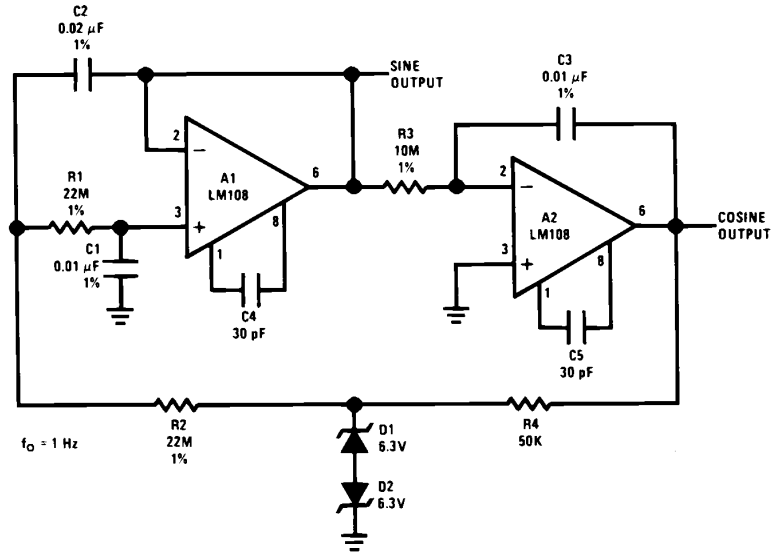


Offset Voltage Adjustment for Inverting Amplifiers Using 10 kΩ Source Resistance or Less



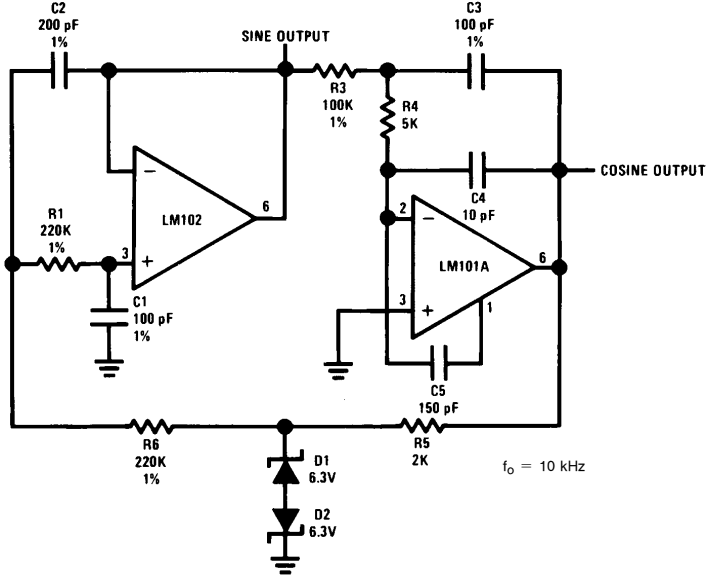
SECTION 2 — SIGNAL GENERATION

Low Frequency Sine Wave Generator with Quadrature Output

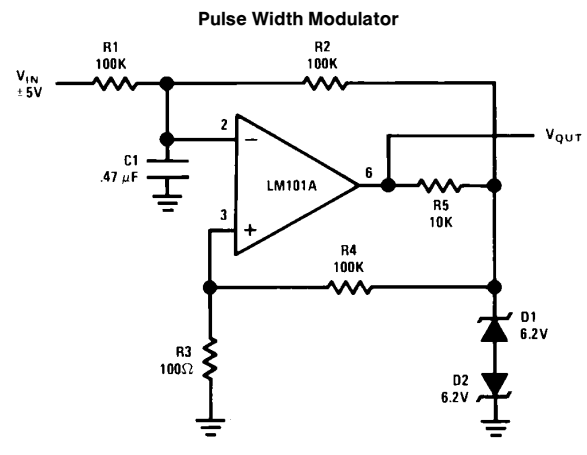
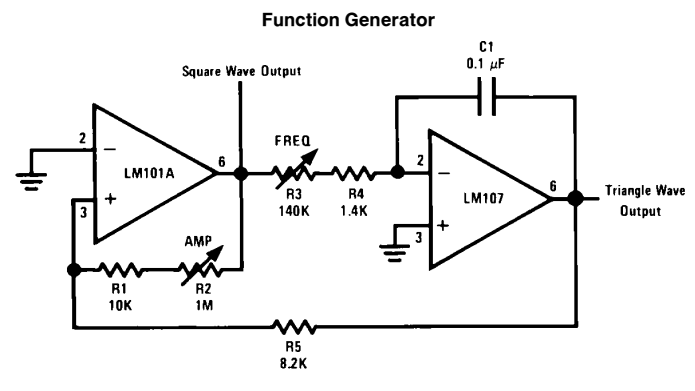
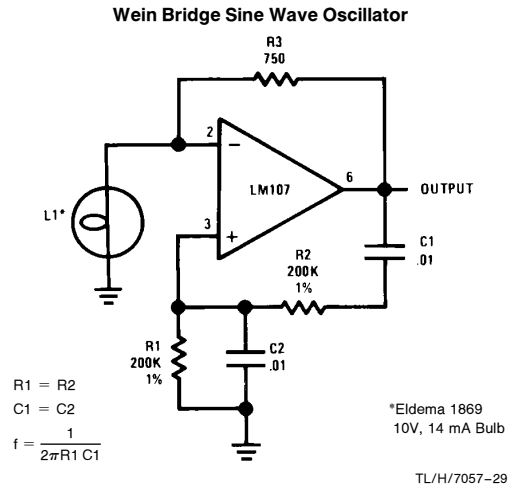
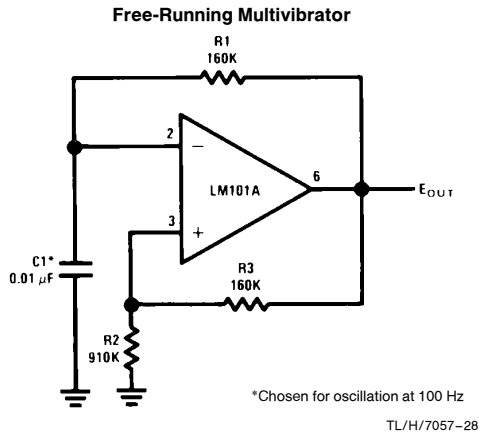


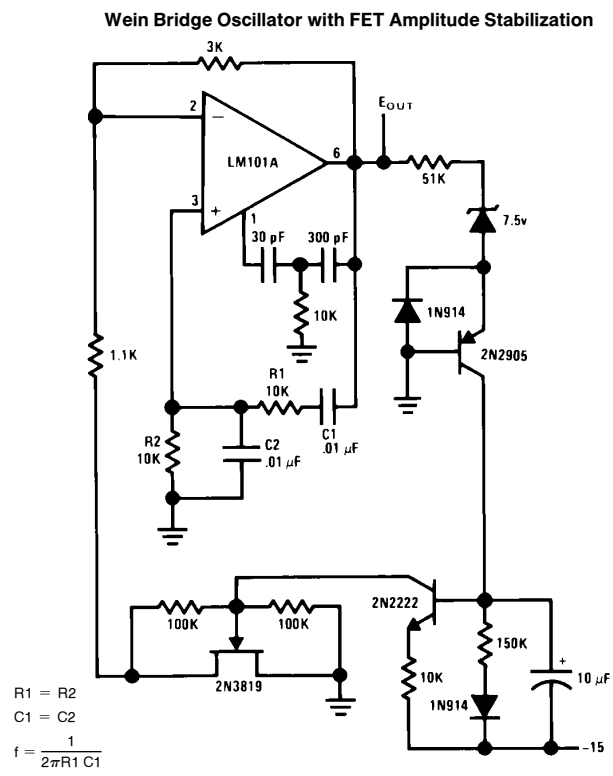
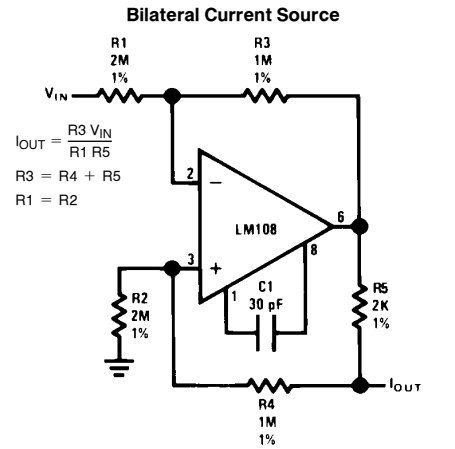
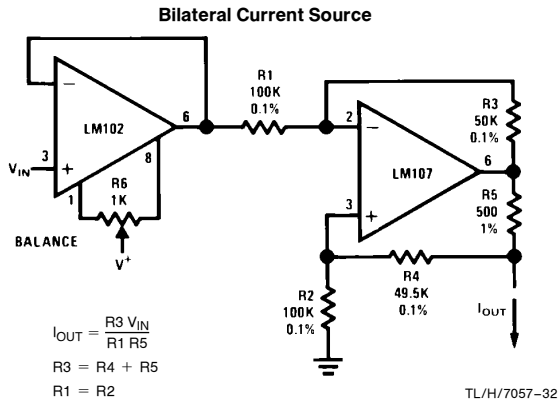
TL/H/7057-26

High Frequency Sine Wave Generator with Quadrature Output

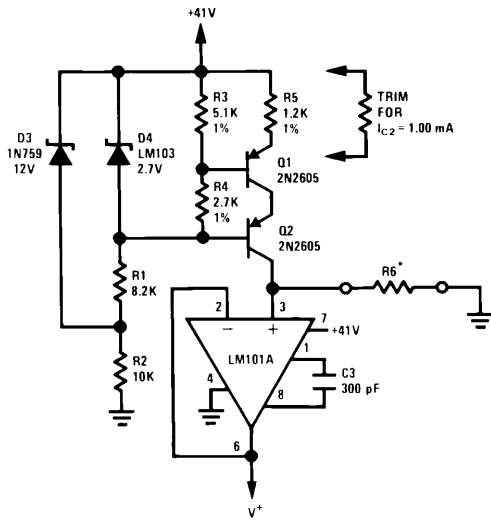


TL/H/7057-27

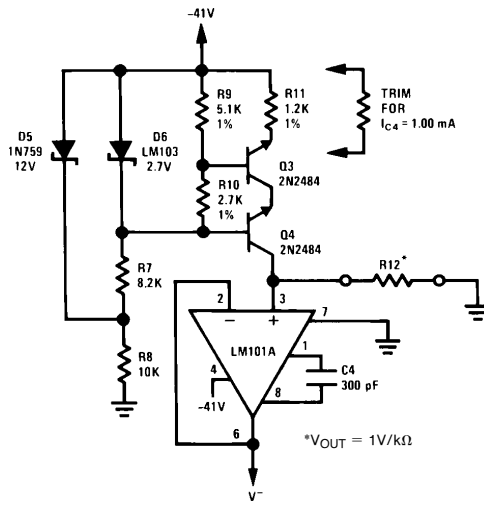




Low Power Supply for Integrated Circuit Testing

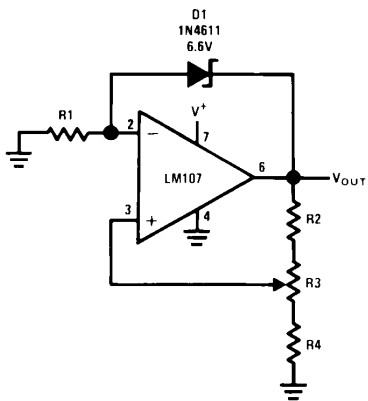


TL/H/7057-35



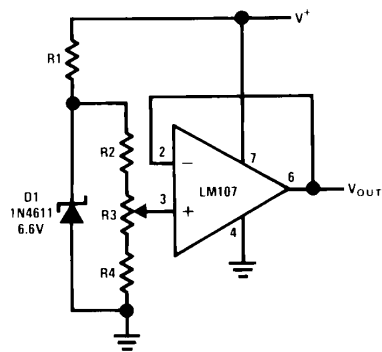
TL/H/7057-91

Positive Voltage Reference



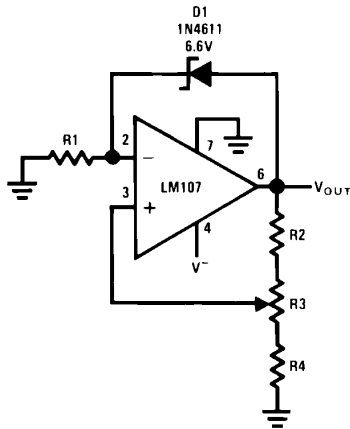
TL/H/7057-36

Positive Voltage Reference



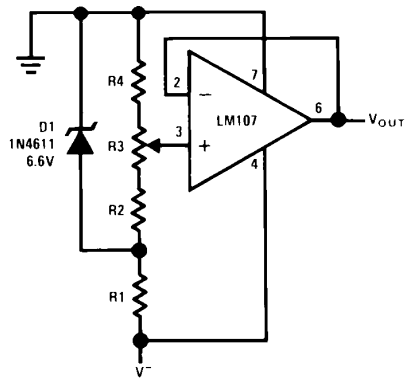
TL/H/7057-37

Negative Voltage Reference



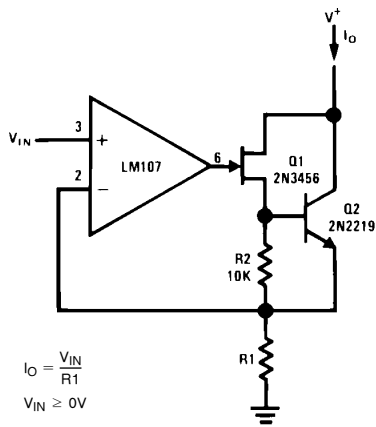
TL/H/7057-38

Negative Voltage Reference



TL/H/7057-39

Precision Current Sink

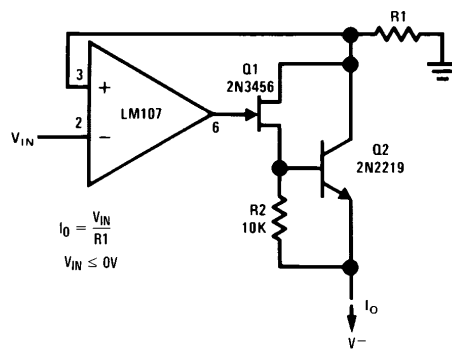


$$I_o = \frac{V_{IN}}{R_1}$$

$$V_{IN} \geq 0V$$

TL/H/7057-40

Precision Current Source



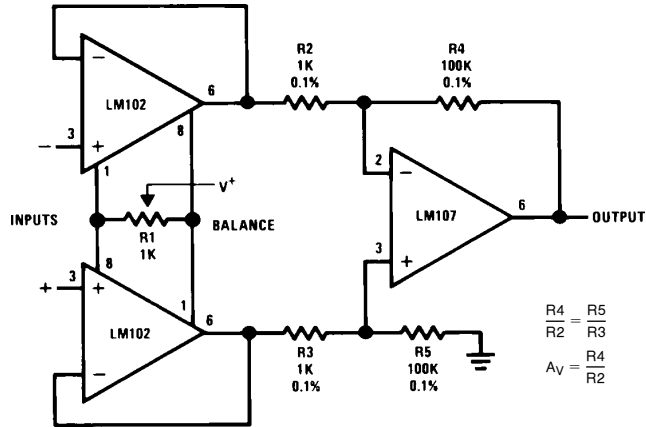
$$I_o = \frac{V_{IN}}{R_1}$$

$$V_{IN} \leq 0V$$

TL/H/7057-41

SECTION 3 — SIGNAL PROCESSING

Differential-Input Instrumentation Amplifier

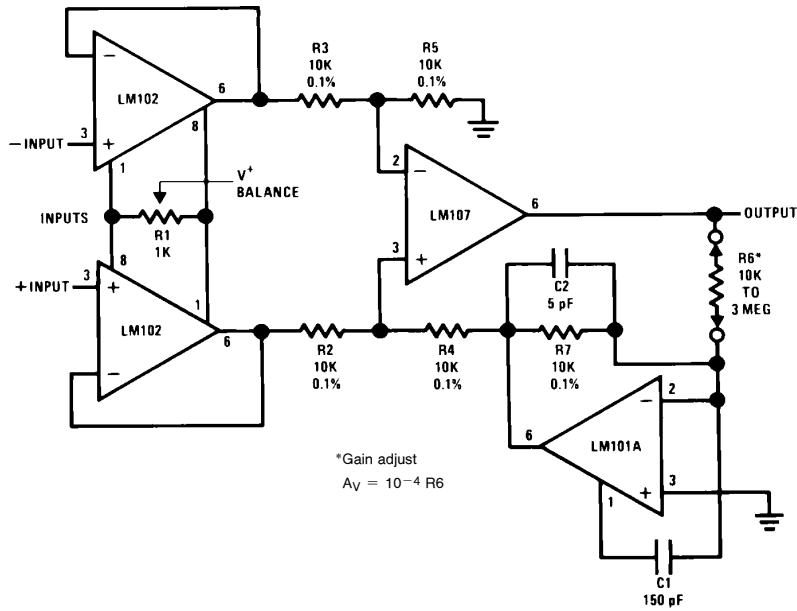


$$\frac{R_4}{R_2} = \frac{R_5}{R_3}$$

$$A_v = \frac{R_4}{R_2}$$

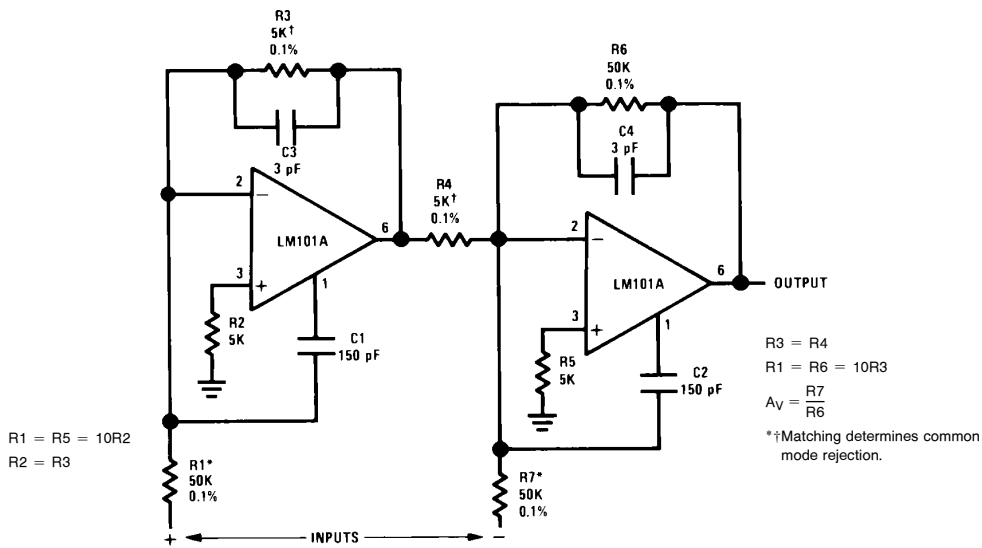
TL/H/7057-42

Variable Gain, Differential-Input Instrumentation Amplifier



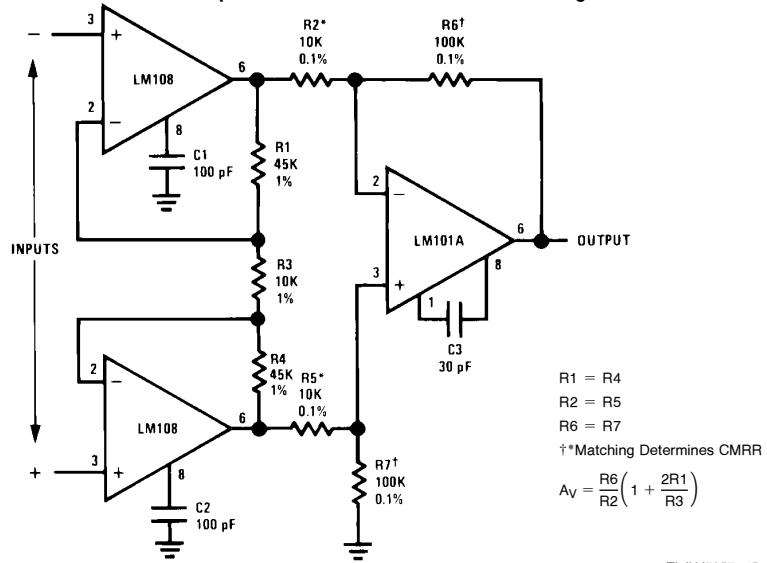
TL/H/7057-43

Instrumentation Amplifier with ± 100 Volt Common Mode Range



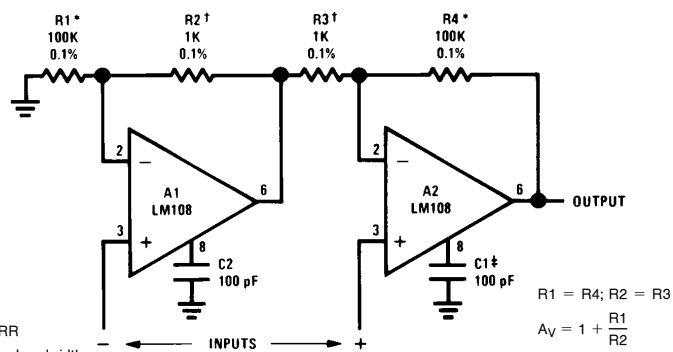
TL/H/7057-44

Instrumentation Amplifier with ± 10 Volt Common Mode Range



TL/H/7057-45

High Input Impedance Instrumentation Amplifier

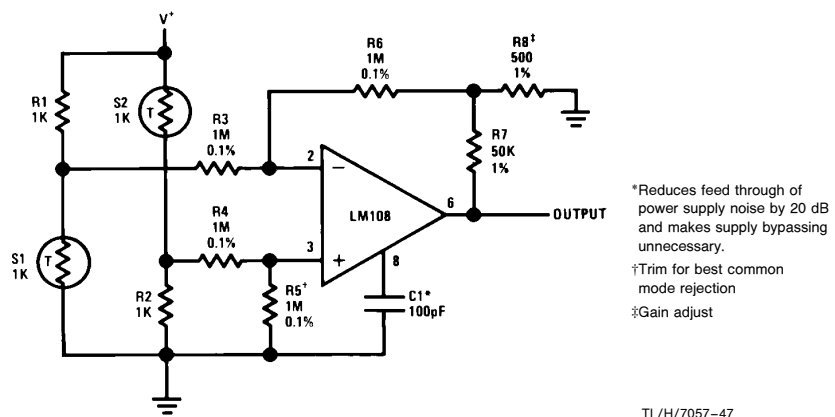


*†Matching determines CMRR

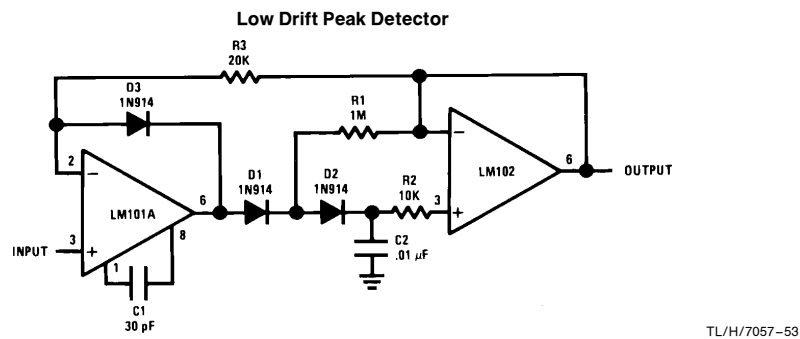
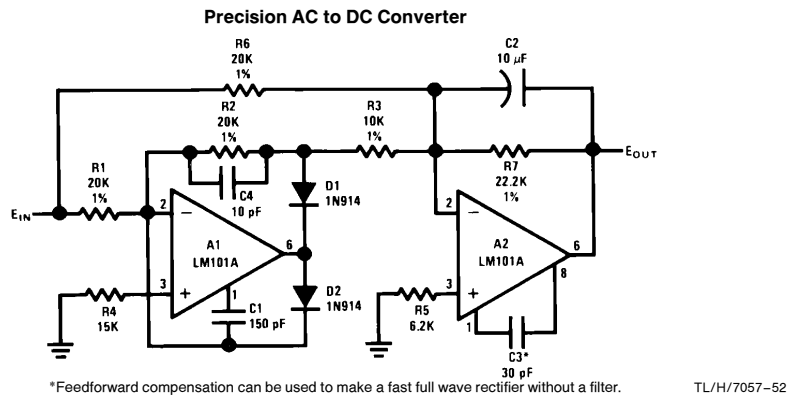
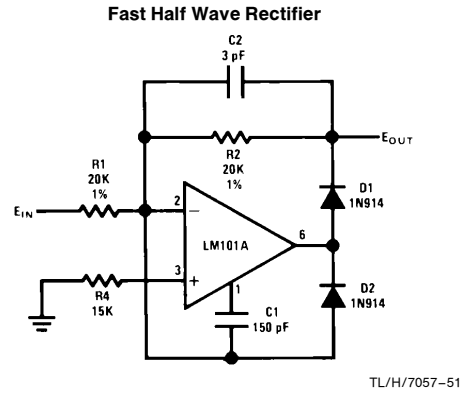
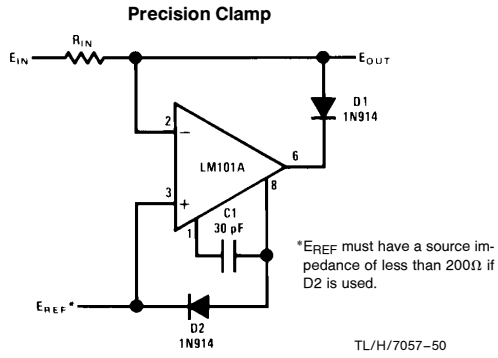
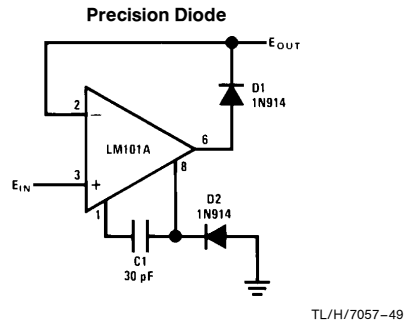
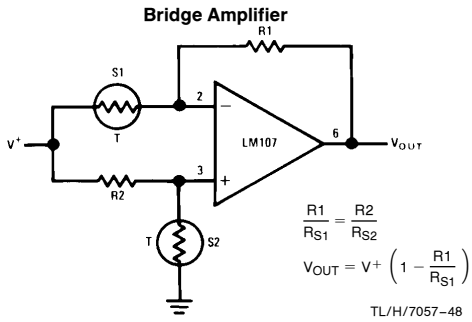
‡May be deleted to maximize bandwidth

TL/H/7057-46

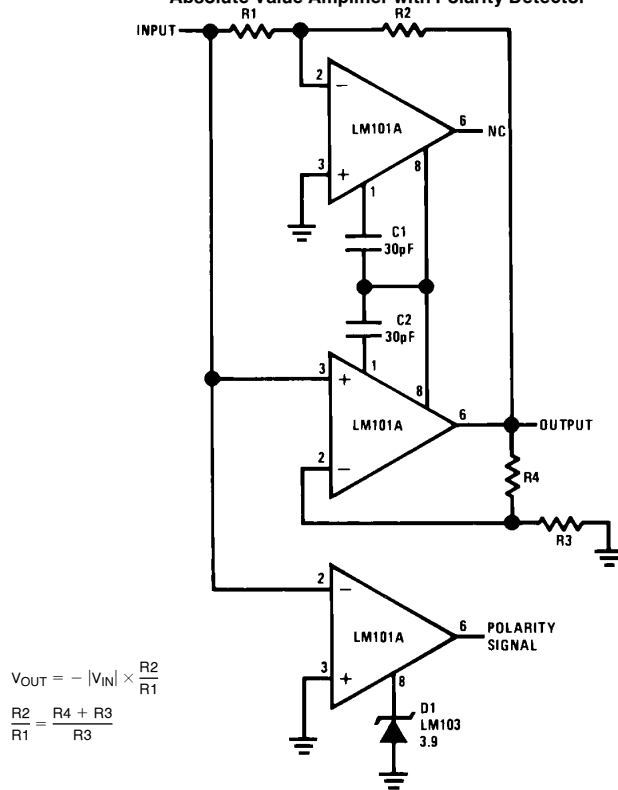
Bridge Amplifier with Low Noise Compensation



TL/H/7057-47

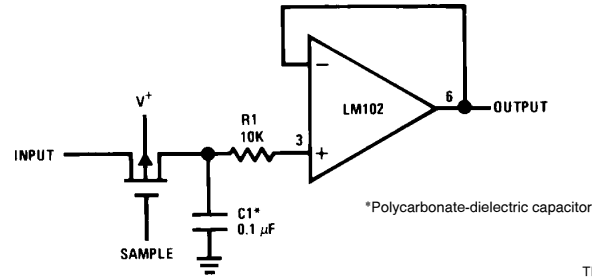


Absolute Value Amplifier with Polarity Detector



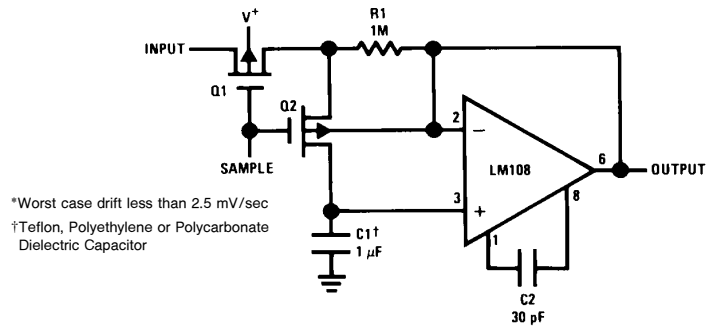
TL/H/7057-54

Sample and Hold



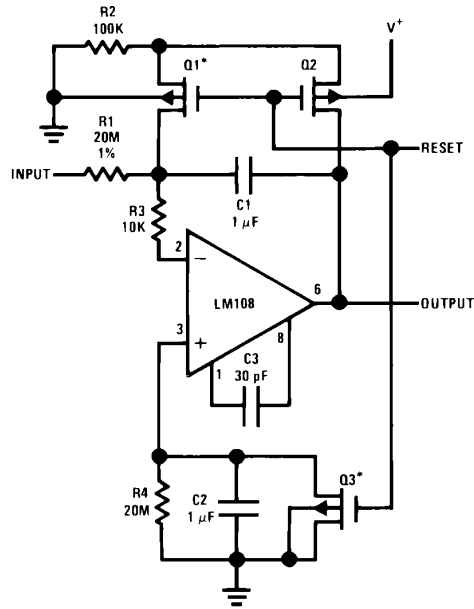
TL/H/7057-55

Sample and Hold



TL/H/7057-56

Low Drift Integrator

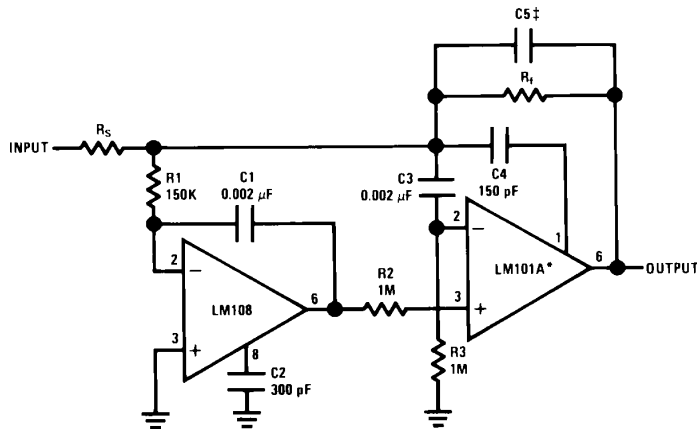


TL/H/7057-57

*Q1 and Q3 should not have internal gate-protection diodes.

Worst case drift less than 500 μV/sec over -55°C to +125°C.

Fast[†] Summing Amplifier with Low Input Current



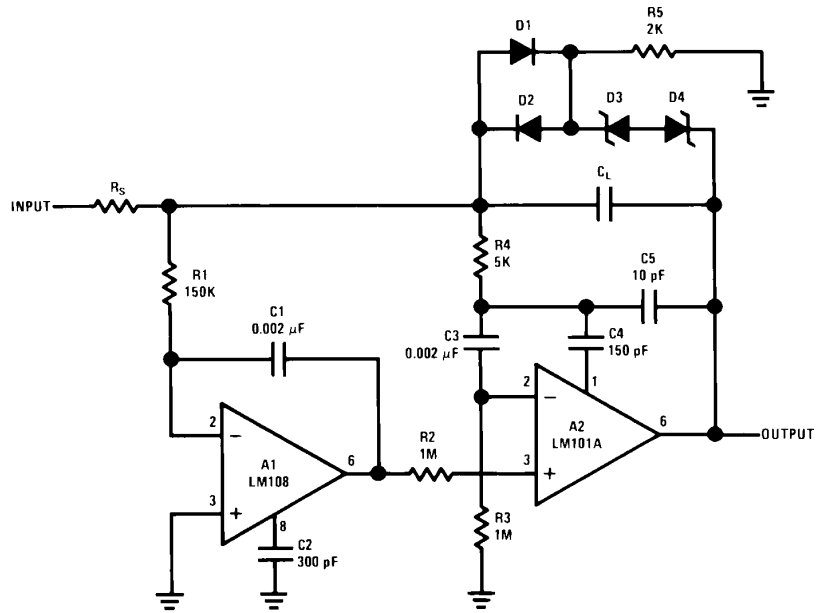
TL/H/7057-58

* In addition to increasing speed, the LM101A raises high and low frequency gain, increases output drive capability and eliminates thermal feedback.

† Power Bandwidth: 250 kHz
Small Signal Bandwidth: 3.5 MHz
Slew Rate: 10V/μs

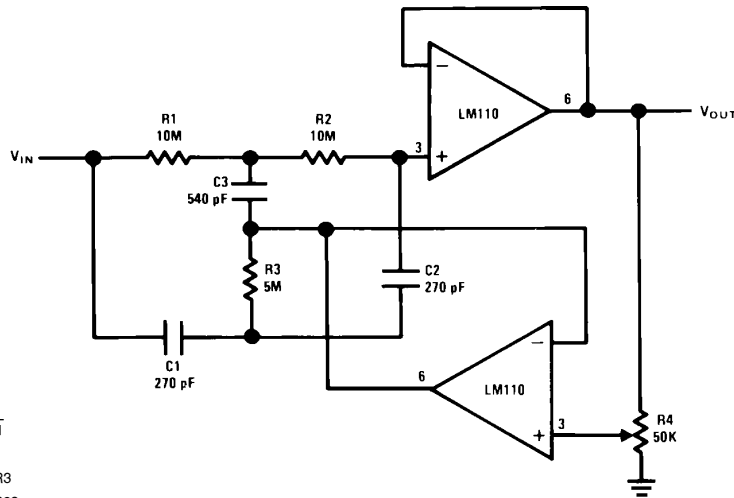
$$\ddagger C5 = \frac{6 \times 10^{-8}}{R_f}$$

Fast Integrator with Low Input Current



TL/H/7057-59

Adjustable Q Notch Filter



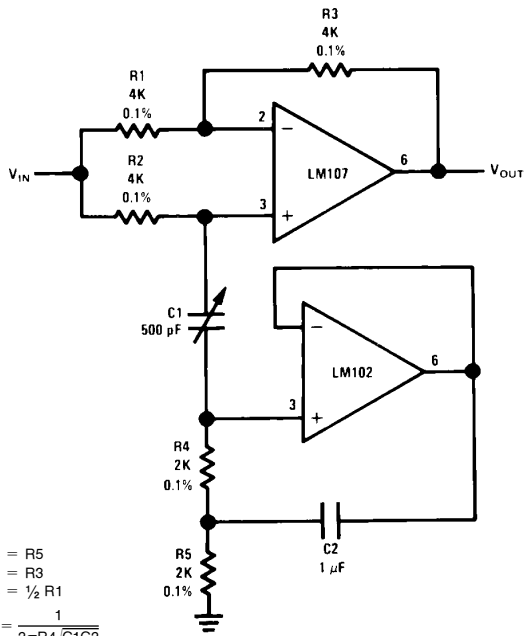
$$f_0 = \frac{1}{2\pi R_1 C_1}$$

$$= 60 \text{ Hz}$$

$R_1 = R_2 = R_3$
 $C_1 = C_2 = C_3$

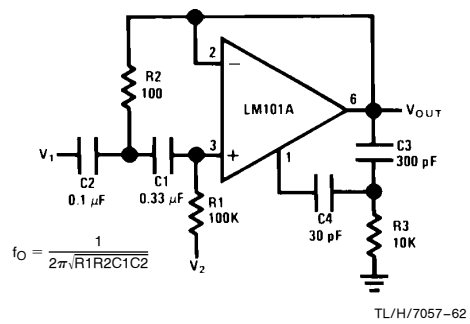
TL/H/7057-60

Easily Tuned Notch Filter

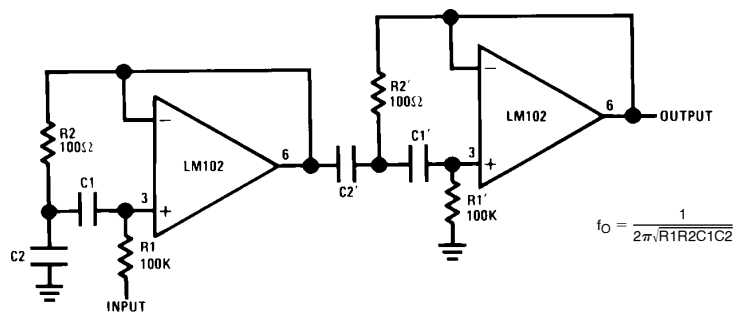


TL/H/7057-61

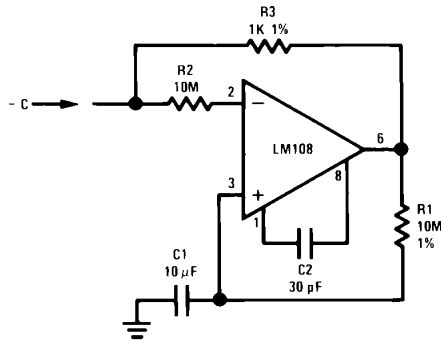
Tuned Circuit



Two-Stage Tuned Circuit



Negative Capacitance Multiplier



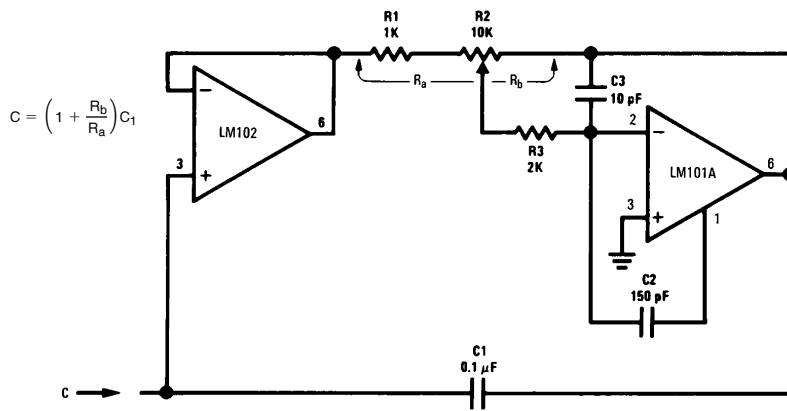
$$C = \frac{R2}{R3} C1$$

$$I_L = \frac{V_{os} + R2 I_{os}}{R3}$$

$$R_S = \frac{R3(R1 + R_{IN})}{R_{IN} A_{VO}}$$

TL/H/7057-65

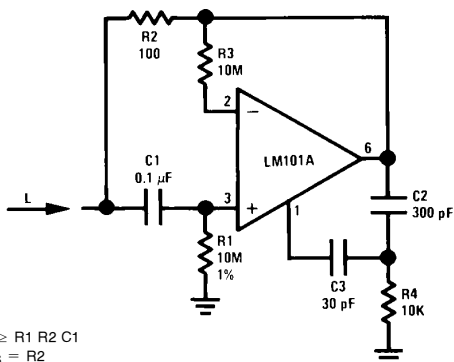
Variable Capacitance Multiplier



$$C = \left(1 + \frac{R_b}{R_a}\right) C1$$

TL/H/7057-66

Simulated Inductor



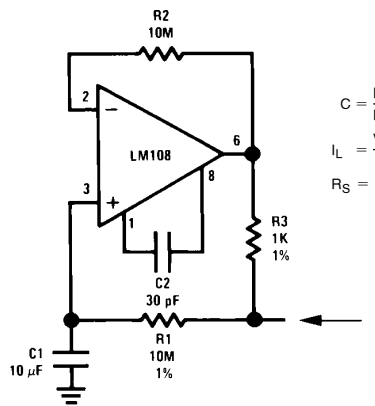
$$L \geq R1 R2 C1$$

$$R_S = R2$$

$$R_P = R1$$

TL/H/7057-67

Capacitance Multiplier



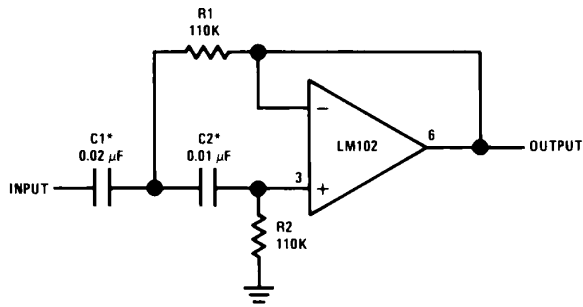
$$C = \frac{R1}{R3} C1$$

$$I_L = \frac{V_{os} + I_{os} R1}{R3}$$

$$R_S = R3$$

TL/H/7057-68

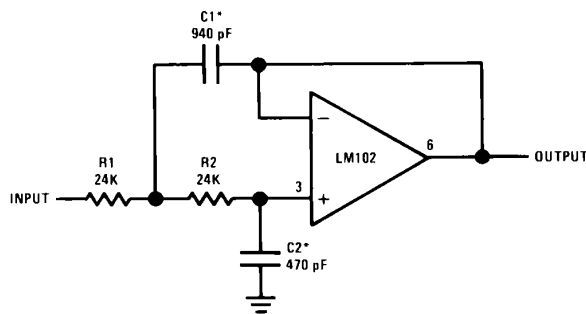
High Pass Active Filter



TL/H/7057-71

*Values are for 100 Hz cutoff. Use metallized polycarbonate capacitors for good temperature stability.

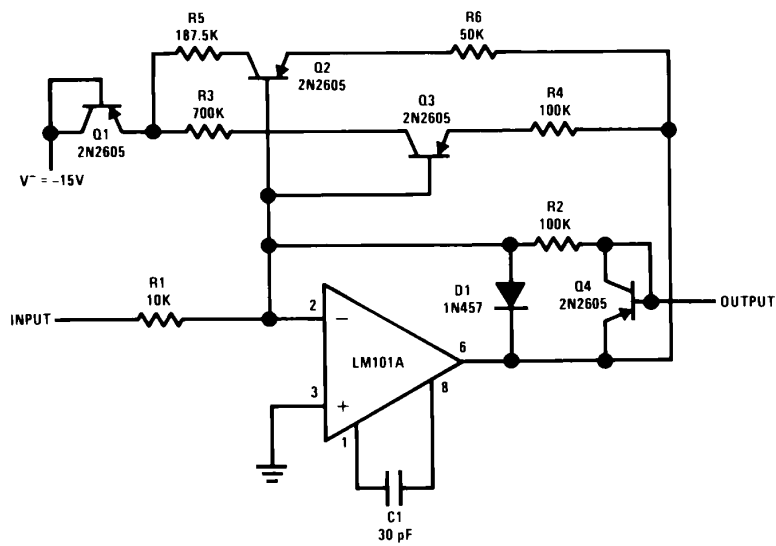
Low Pass Active Filter



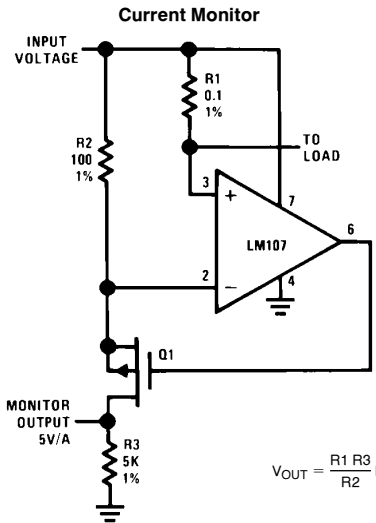
TL/H/7057-72

*Values are for 10 kHz cutoff. Use silvered mica capacitors for good temperature stability.

Nonlinear Operational Amplifier with Temperature Compensated Breakpoints

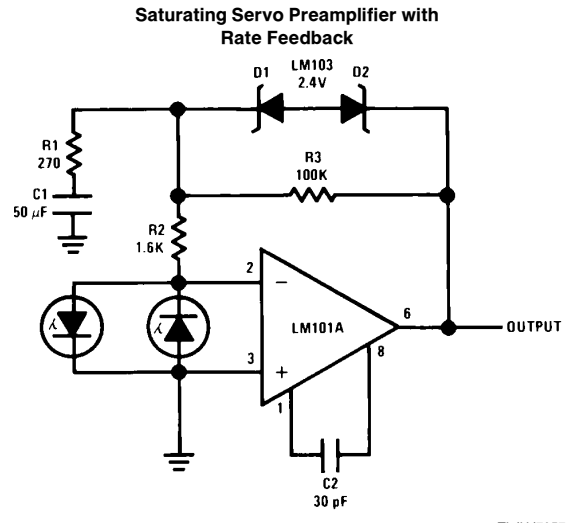


TL/H/7057-73

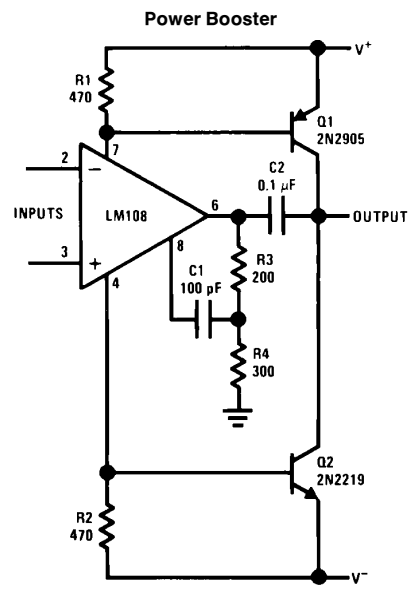


$$V_{OUT} = \frac{R_1 R_3}{R_2} I_L$$

TL/H/7057-74

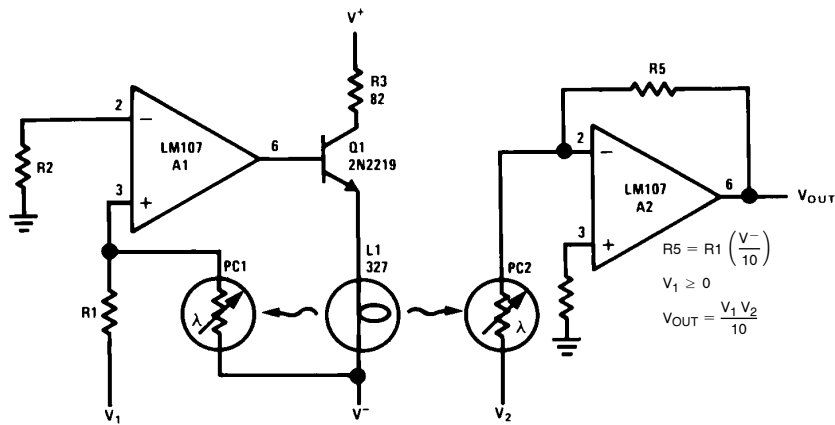


TL/H/7057-75



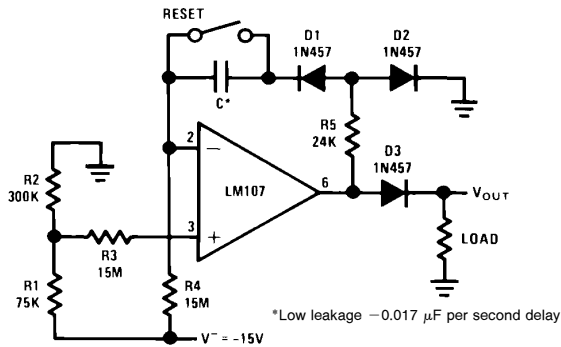
TL/H/7057-76

Analog Multiplier



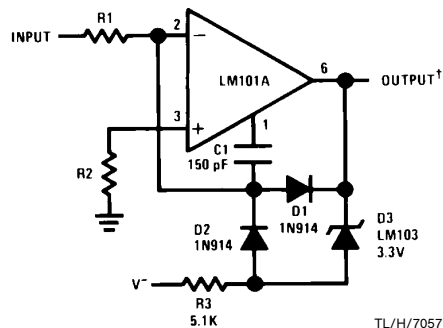
TL/H/7057-77

Long Interval Timer



TL/H/7057-78

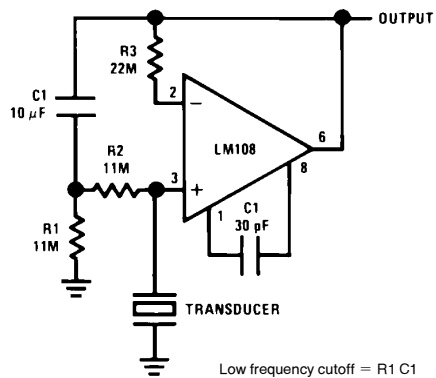
Fast Zero Crossing Detector



Propagation delay approximately 200 ns
 †DTL or TTL fanout of three.
 Minimize stray capacitance
 Pin 8

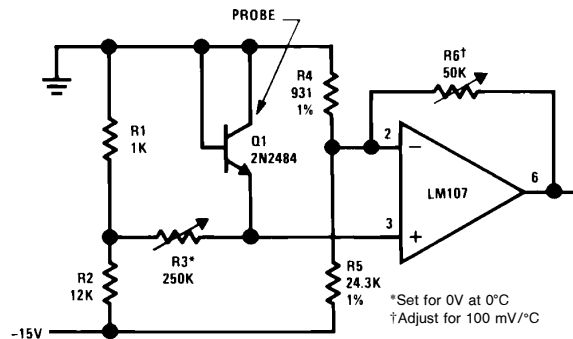
TL/H/7057-79

Amplifier for Piezoelectric Transducer

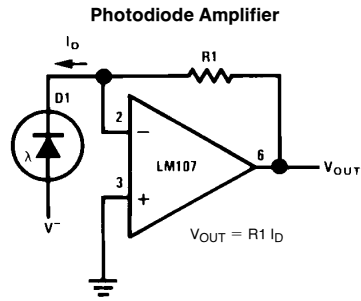


TL/H/7057-80

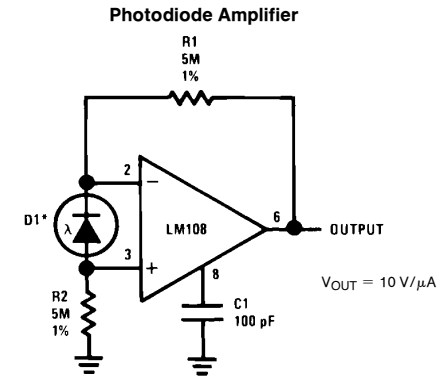
Temperature Probe



TL/H/7057-81

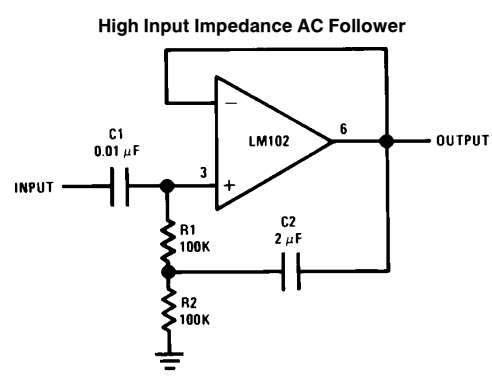


TL/H/7057-82

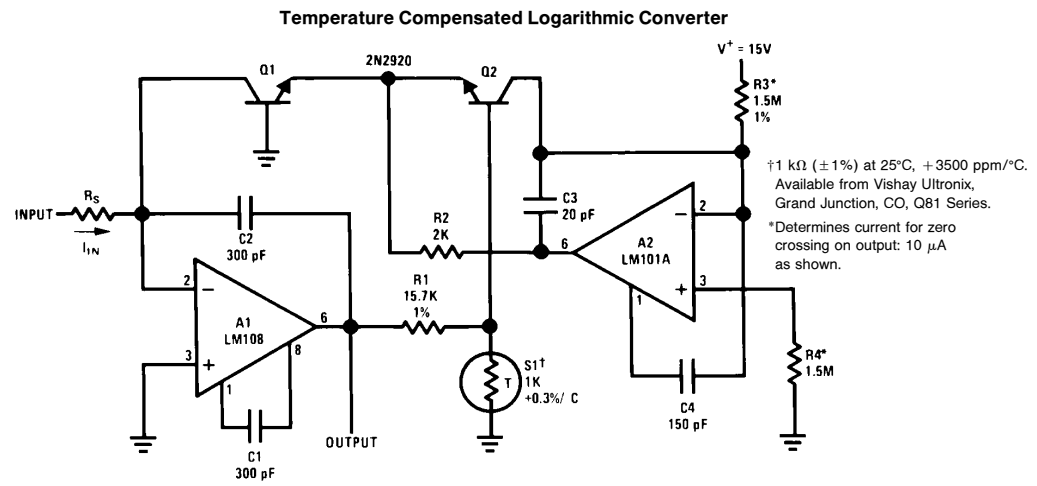


TL/H/7057-83

*Operating photodiode with less than 3 mV across it eliminates leakage currents.



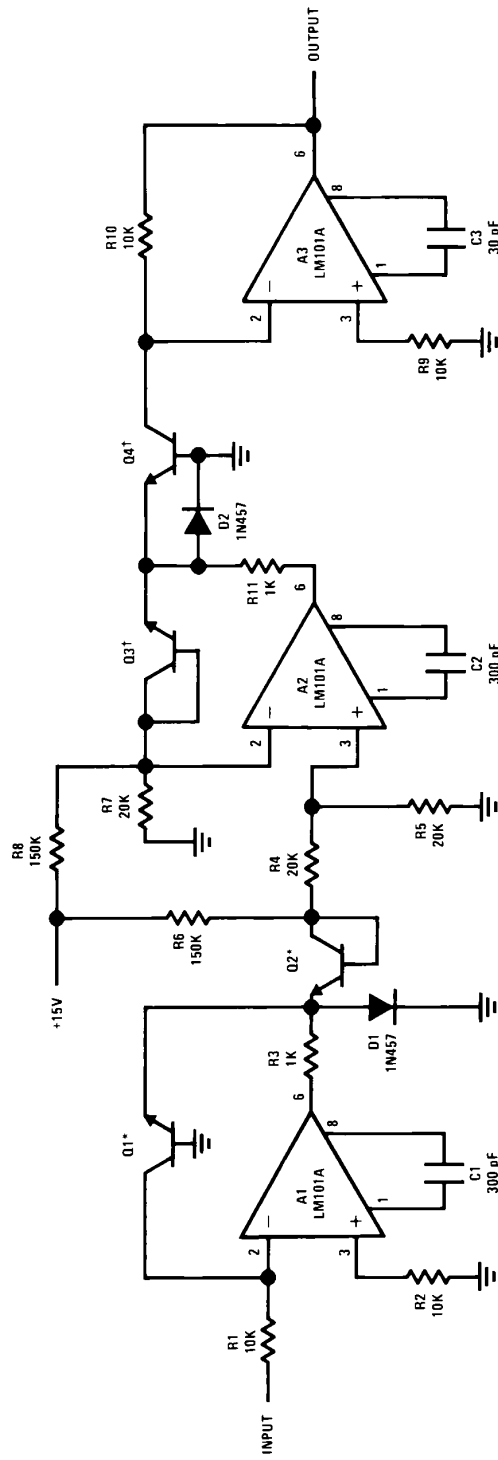
TL/H/7057-84



TL/H/7057-85

10 nA < I_{IN} < 1 mA
Sensitivity is 1V per decade

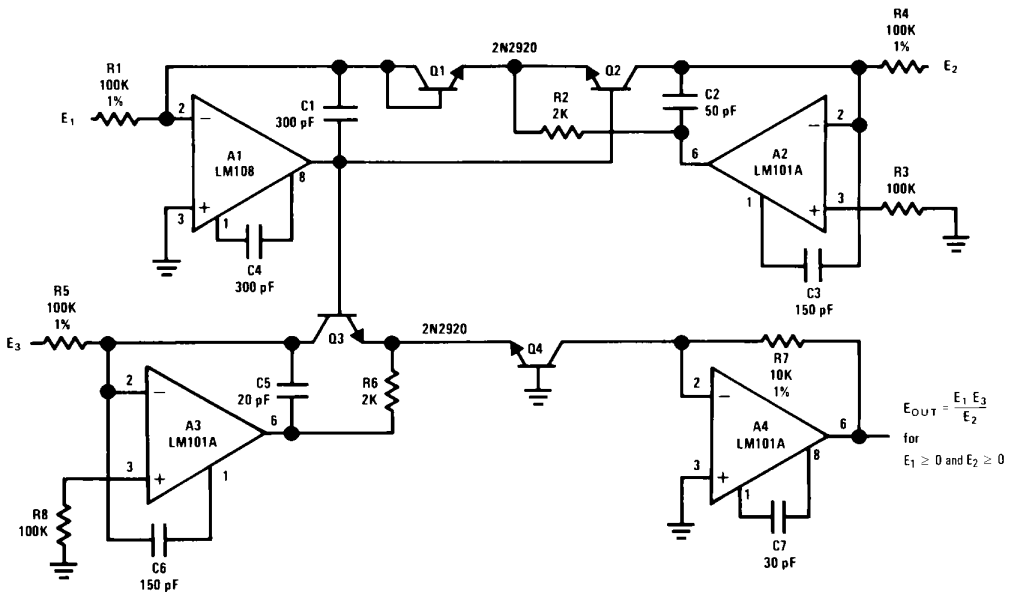
Root Extractor



*: 2N3728 matched pairs

TL/H/7057-86

Multiplier/Divider

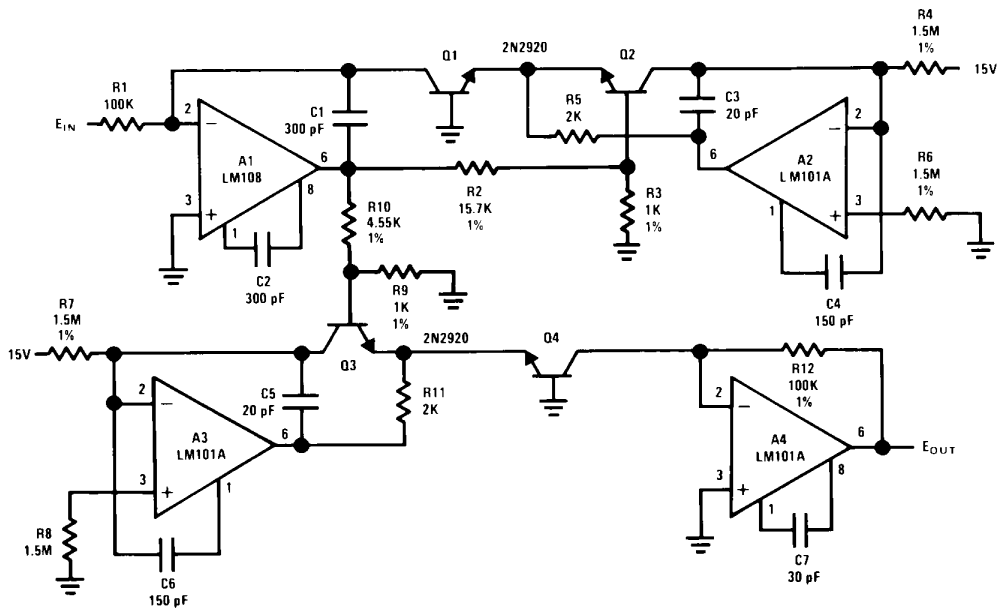


$$E_{OUT} = \frac{E_1 E_3}{E_2}$$

for $E_1 \geq 0$ and $E_2 \geq 0$

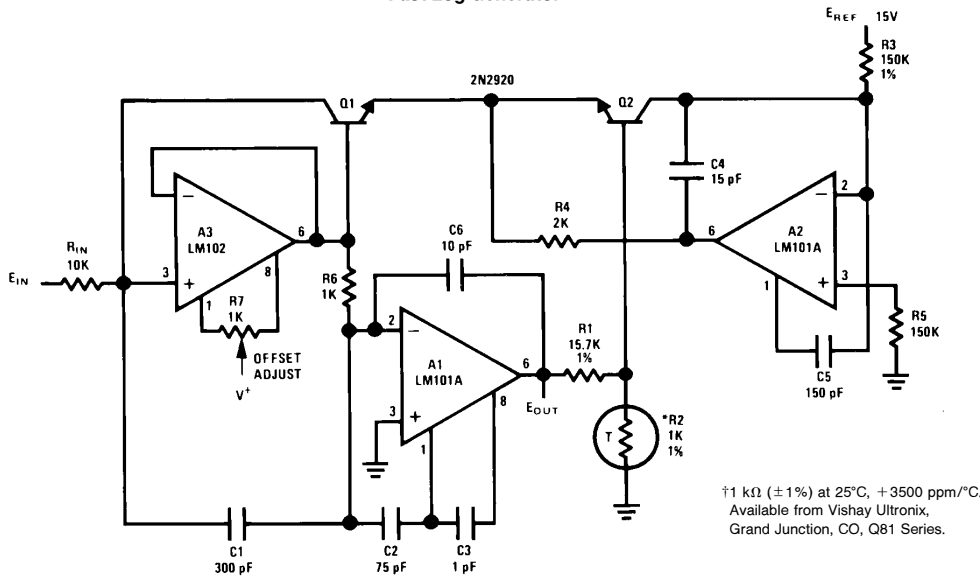
TL/H/7057-87

Cube Generator



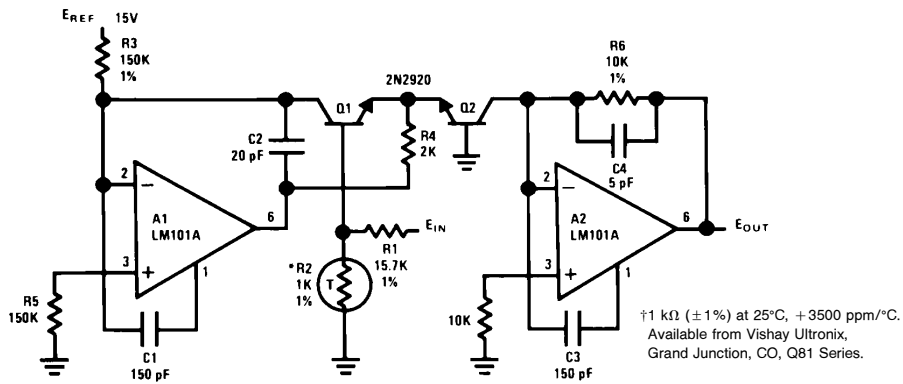
TL/H/7057-88

Fast Log Generator



TL/H/7057-89

Anti-Log Generator



TL/H/7057-90

LIFE SUPPORT POLICY

NATIONAL'S PRODUCTS ARE NOT AUTHORIZED FOR USE AS CRITICAL COMPONENTS IN LIFE SUPPORT DEVICES OR SYSTEMS WITHOUT THE EXPRESS WRITTEN APPROVAL OF THE PRESIDENT OF NATIONAL SEMICONDUCTOR CORPORATION. As used herein:

1. Life support devices or systems are devices or systems which, (a) are intended for surgical implant into the body, or (b) support or sustain life, and whose failure to perform, when properly used in accordance with instructions for use provided in the labeling, can be reasonably expected to result in a significant injury to the user.
2. A critical component is any component of a life support device or system whose failure to perform can be reasonably expected to cause the failure of the life support device or system, or to affect its safety or effectiveness.



National Semiconductor Corporation
1111 West Bardin Road
Arlington, TX 76017
Tel: 1(800) 272-9959
Fax: 1(800) 737-7018

National Semiconductor Europe
Fax: (+49) 0-180-530 85 86
Email: cnjwge@tevm2.nsc.com
Deutsch Tel: (+49) 0-180-530 85 85
English Tel: (+49) 0-180-532 78 32
Français Tel: (+49) 0-180-532 93 58
Italiano Tel: (+49) 0-180-534 16 80

National Semiconductor Hong Kong Ltd.
19th Floor, Straight Block,
Ocean Centre, 5 Canton Rd.
Tsimshatsui, Kowloon
Hong Kong
Tel: (852) 2737-1600
Fax: (852) 2736-9960

National Semiconductor Japan Ltd.
Tel: 81-043-299-2309
Fax: 81-043-299-2408

National does not assume any responsibility for use of any circuitry described, no circuit patent licenses are implied and National reserves the right at any time without notice to change said circuitry and specifications.