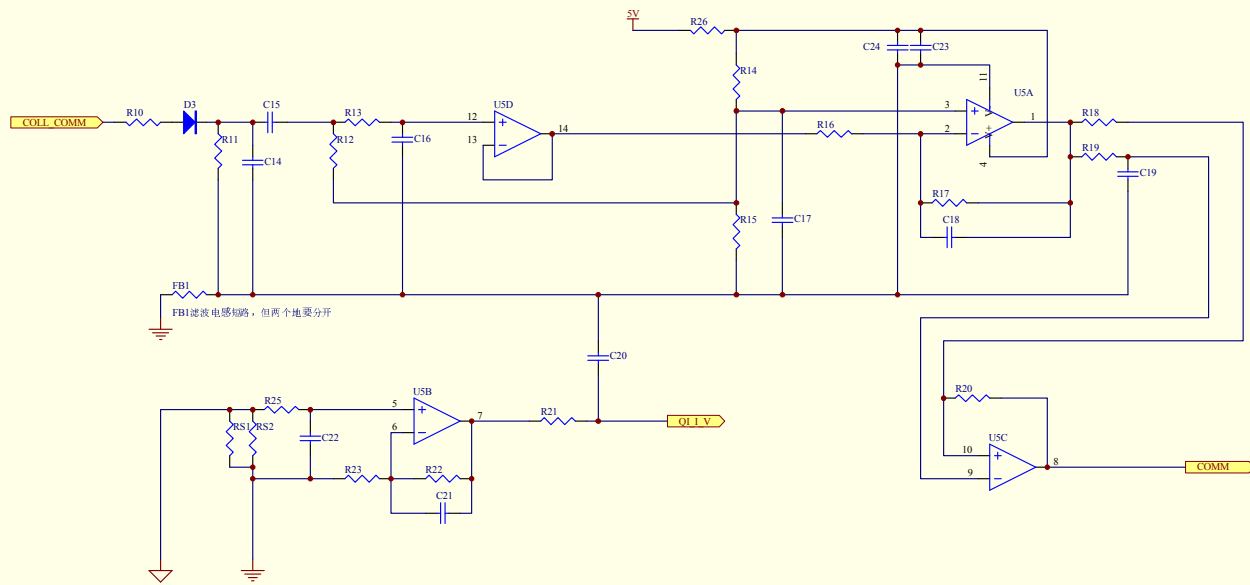
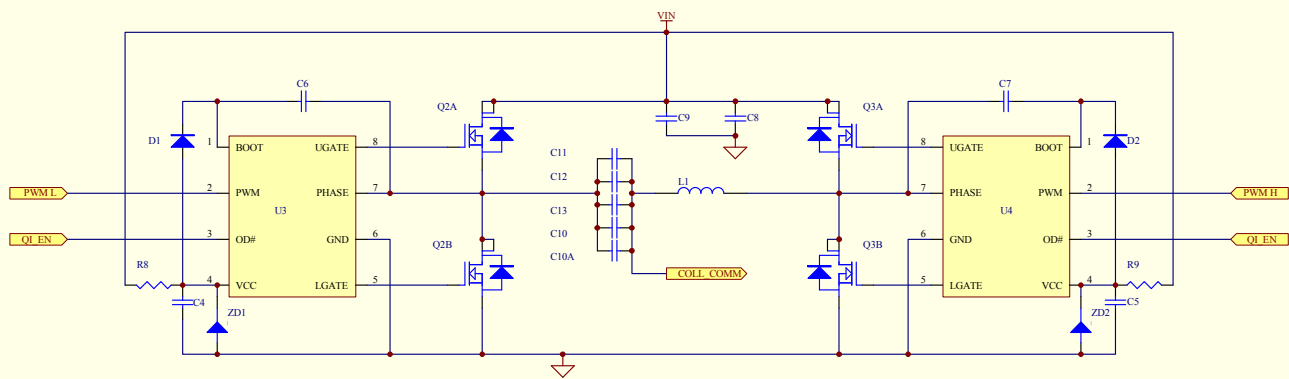


Title		
Size	Number	Revision
B		
Date:	18-Oct-2013	Sheet of
File:	E:\D086无线充电项目\ddb	Drawn By:



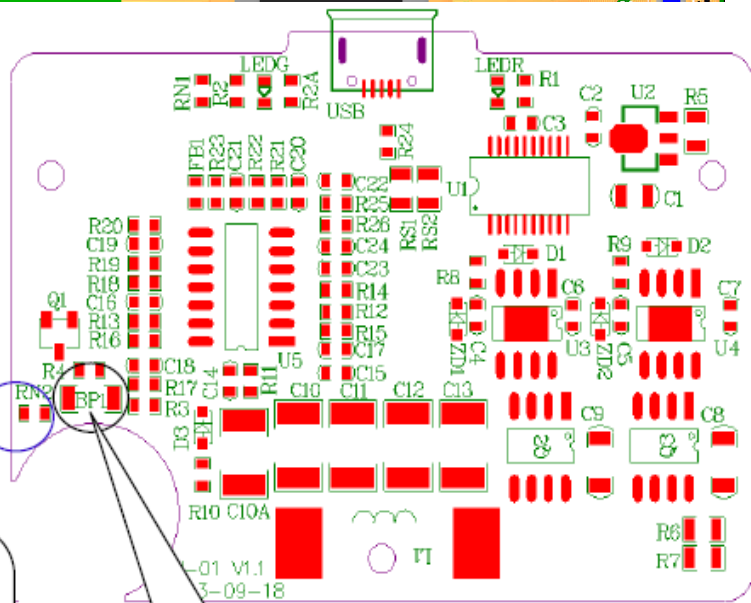
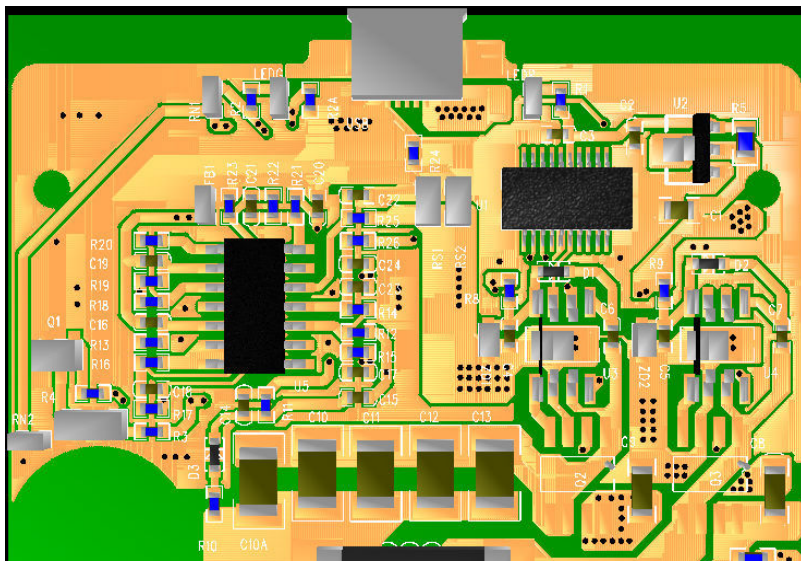
谢工: 13682346997
 QQ: 369193401

Title		
Size	Number	Revision
B		
Date:	18-Oct-2013	Sheet of
File:	E:\D08\无线充电项目\ddb	Drawn By:



谢工: 13682346997
 QQ: 369193401

Title		
Size	Number	Revision
B		
Date:	18-Oct-2013	Sheet of
File:	E:\D08\无线充电项目\ddb	Drawn By:



蓝色圈内焊盘为温度传感器 NTC 引脚，不用温度功能时可用 10K 电阻替代屏蔽此功能

黑色圈内为蜂鸣器焊盘，下面圆弧为蜂鸣器放置区。