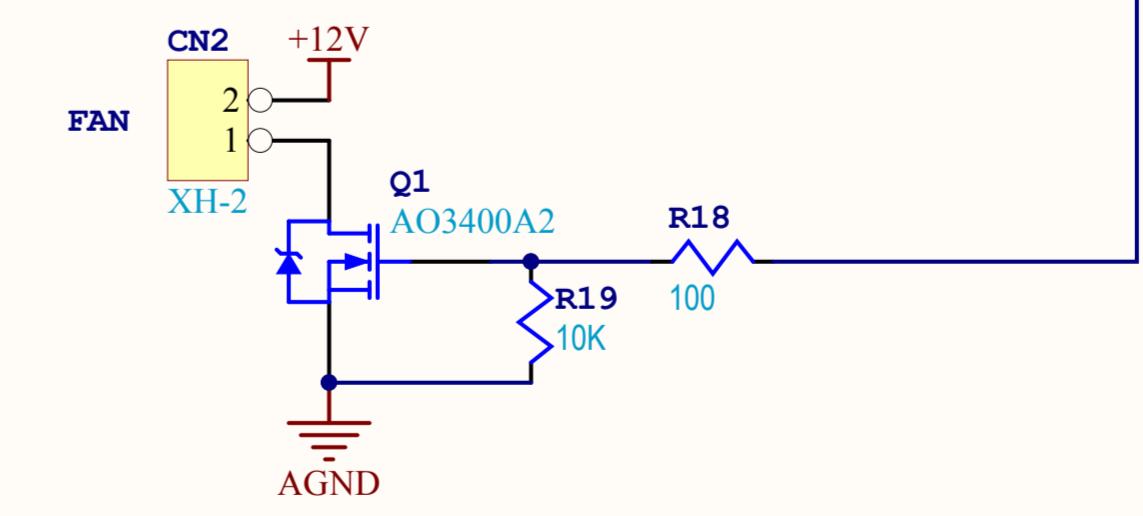
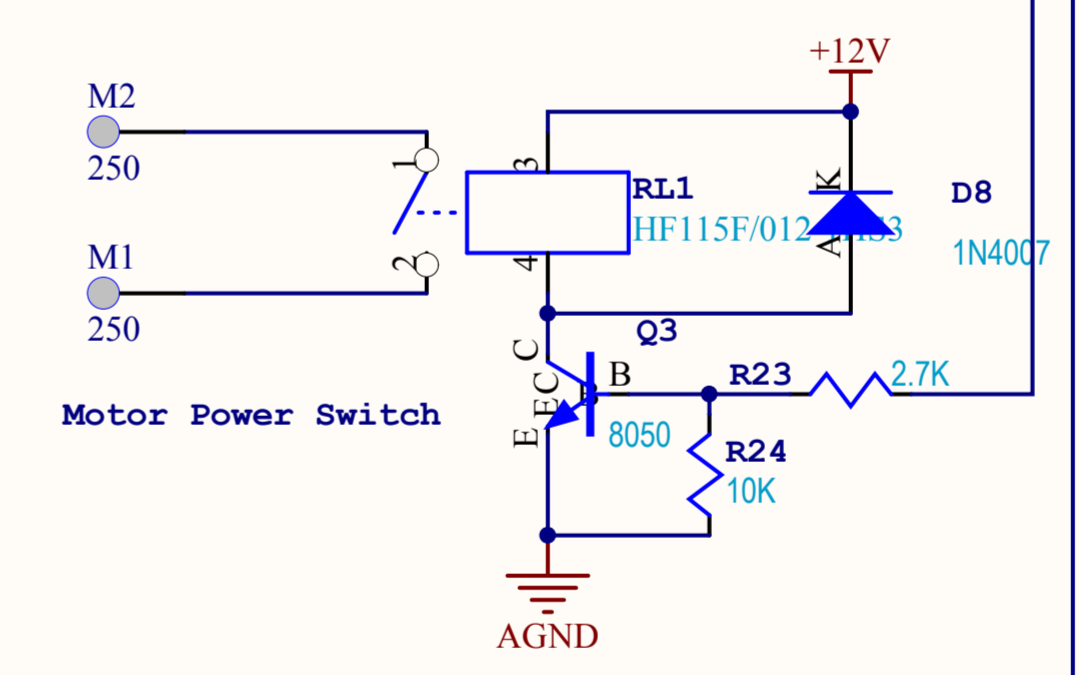
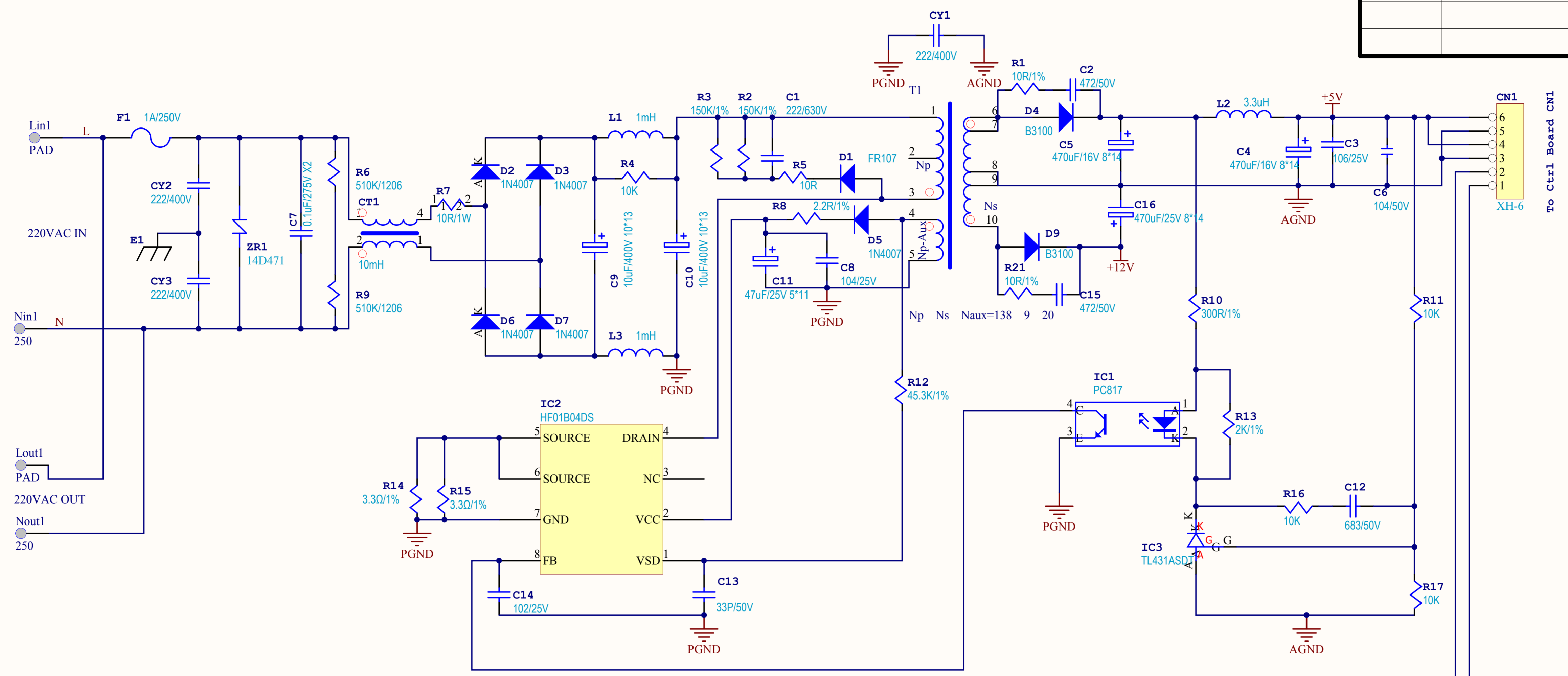


Revision	Description	Date



MEDIA NUMBER	
OLD BASEDOCUMENT TOTAL NUMBER	
BASE DOCUMENT TOTAL NUMBER	
DATA	SIGN
TECHNICAL DOCUMENT	

DESIGN	ChenWei	SCHEMATIC DOCUMENT	TOPBAND
CARTOGRAPHY	ChenWei	STAGE MARKER	THE 2 PAGE
CHECK	Li Xiang	DOCUMENT NUMBER	TOTAL 5 PAGE
APPROVE	Li Xiang	VERSION NUMBER	
DATE	2013-10-22		

SHENZHEN TOPBAND ELECTRONICS & TECHNOLOGY CO.,LTD.
(PRODUCT NAME/TYPE:)
Koning Power Board