

# A Review of Single-Phase Improved Power Quality AC–DC Converters

Bhim Singh, *Senior Member, IEEE*, Brij N. Singh, *Member, IEEE*, Ambrish Chandra, *Senior Member, IEEE*, Kamal Al-Haddad, *Senior Member, IEEE*, Ashish Pandey, *Student Member, IEEE*, and Dwarka P. Kothari, *Senior Member, IEEE*

**Abstract**—Solid-state switch-mode rectification converters have reached a matured level for improving power quality in terms of power-factor correction (PFC), reduced total harmonic distortion at input ac mains and precisely regulated dc output in buck, boost, buck–boost and multilevel modes with unidirectional and bidirectional power flow. This paper deals with a comprehensive review of improved power quality converters (IPQCs) configurations, control approaches, design features, selection of components, other related considerations, and their suitability and selection for specific applications. It is targeted to provide a wide spectrum on the status of IPQC technology to researchers, designers and application engineers working on switched-mode ac–dc converters. A classified list of more than 450 research publications on the state of art of IPQC is also given for a quick reference.

**Index Terms**—AC–DC converters, harmonic reduction, improved power quality, power-factor correction, switch-mode rectifiers (SMRs).

## I. INTRODUCTION

SOLID-STATE ac–dc conversion of electric power is widely used in adjustable-speed drives (ASDs), switch-mode power supplies (SMPSs), uninterrupted power supplies (UPSs), and utility interface with nonconventional energy sources such as solar PV, etc., battery energy storage systems (BESSs), in process technology such as electroplating, welding units, etc., battery charging for electric vehicles, and power supplies for telecommunication systems, measurement and test equipments [1]–[25]. Conventionally, ac–dc converters, which are also called rectifiers, are developed using diodes and thyristors to provide controlled and uncontrolled dc power with unidirectional and bidirectional power flow. They have the demerits of poor power quality in terms of injected current harmonics, caused voltage distortion and poor power factor at input ac mains and slow varying rippled dc output at load end, low efficiency and large size of ac and dc filters. In light of their increased applications, a new breed of rectifiers has been

developed using new solid state self commutating devices such as MOSFETs, insulated gate bipolar transistors (IGBTs), gate turn-off thyristors (GTO), etc., even some of which have either not been thought or not possible to be developed earlier using diodes and thyristors. Such pieces of equipment are generally known as converters, but specifically named as switch-mode rectifiers (SMRs), power-factor correctors (PFCs), pulsewidth-modulation (PWM) rectifiers, multilevel rectifiers, etc. Because of strict requirement of power quality at input ac mains several standards [1]–[3] have been developed and are being enforced on the consumers. Because of severity of power quality problems some other options such as passive filters, active filters (AFs), and hybrid filters [6]–[8] along with conventional rectifiers, have been extensively developed especially in high power rating and already existing installations. However, these filters are quite costly, heavy, and bulky and have reasonable losses which reduce overall efficiency of the complete system. Even in some cases the rating of converter used in AF is almost close to the rating of the load. Under these observations, it is considered better option to include such converters as an inherent part of the system of ac–dc conversion, which provides reduced size, higher efficiency, and well controlled and regulated dc to provide comfortable and flexible operation of the system. Moreover, these new types of ac–dc converters are being included in the new text books [9]–[22] and several comparative topologies are reported in recent publications [23]–[25]. Therefore, it is considered a timely attempt to present a broad perspective on the status of ac–dc converters technology for the engineers working on them dealing with power quality issues.

This paper deals with a comprehensive survey on the topic of SMR converters. More than 450 publications [1]–[463] are reviewed and classified into four major categories. Some of them are further classified into several subcategories. The first one [1]–[25] is generally on power quality standards, other options, texts, and some survey and comparative topology publications. These converters are subclassified as boost [26]–[250], buck [251]–[306], buck–boost [307]–[427], and multilevel [428]–[463] with unidirectional and bidirectional power flow. The total number of configurations of these converters is divided into eight categories. Some publications belong to more than one category and have been included in the more dominant contribution. The paper is divided into nine sections. Starting with Section I, the others sections cover the state of the art of IPQC technology, configurations, control approaches, components selection, and integration of IPQCs, comparative

Manuscript received December 20, 2001; revised December 11, 2002. Abstract published on the Internet July 9, 2003. This work was supported by the Natural Sciences and Engineering Research Council of Canada.

B. Singh is with the Department of Electrical Engineering, Indian Institute of Technology, New Delhi 110016, India.

B. N. Singh is with the Department of Electrical Engineering and Computer Science, Tulane University, New Orleans, LA 70118, USA.

A. Chandra and K. Al-Haddad are with the Département de génie électrique, ÉTS, Université du Québec, Montréal, QC H3C 1K3, Canada (e-mail: chandra@ele.etsmtl.ca).

A. Pandey and D. P. Kothari are with the Centre for Energy Studies, Indian Institute of Technology, New Delhi 110016, India.

Digital Object Identifier 10.1109/TIE.2003.817609

features and others options for power quality improvement, selection considerations for specific applications, latest trends and future developments in IPQC technology, and conclusive observations.

## II. STATE OF THE ART

The IPQC technology has been developed now at a reasonably matured level for ac–dc conversion with reduced harmonic currents, high power factor, low electromagnetic interference (EMI) and radio frequency interference (RFI) at input ac mains and well-regulated and good quality dc output to feed loads ranging from fraction of Watt to several hundred kilowatts power ratings in large number of applications. It has been revolutionized in the last couple of decade with varying configurations, control approaches, solid-state devices, circuit integration, varying magnetics, etc., for features such as boost, buck, buck–boost, and multilevel with unidirectional and bidirectional power flow. A large number of IPQC configurations have been evolved to suit vastly varying requirements of different applications while maintaining a high level of quality at the input ac source and output dc loads. This section contains the chronological development and the status of the IPQC technology.

With the extensive use of solid-state ac–dc conversion, the power quality has become an important issue [5], [9], [16], [20], [21]. With the increasing use of these converters at vast varying power and voltage levels, these IPQC are classified in four major categories, namely boost, buck, buck–boost, and multilevel converters with a high level of power quality at the input ac source and at dc output.

Since in some applications, a constant regulated output dc voltage is required with unidirectional power flow such as in SMPSs, low-rating ASDs in fans, air conditioners, etc., while in a few applications, a bidirectional power flow is required. Therefore, these IPQCs are categorized into unidirectional boost converter [26]–[202] and bidirectional boost converter [203]–[250]. Moreover, there are a large number of applications which require wide varying dc voltage normally fed from conventional semi-converter and fully controlled thyristor converter with unidirectional and bidirectional power flow. To replace, conventional thyristor based semi-converters and full converters, a breed of improved power quality converters has been developed and classified as unidirectional buck [251]–[300], bidirectional buck [301]–[306] with PWM switching and using self-commutating solid-state devices. Moreover, there are some typical applications, which require buck and boost operations in the same converter, therefore, an additional classification of buck–boost converter [307]–[427] is made with unidirectional and bidirectional power flow. However, for high-voltage and high-power applications, the concept of multilevel converters is developed which may avoid a low-frequency transformer, and reduces the switching frequency of the devices. Next, the category of IPQCs is considered as multilevel converters with unidirectional [428]–[442] and bidirectional power flow [443]–[463].

One of the major reasons for such a remarkable development in ac–dc converters is due to self-commutating devices,

namely, for small power rating, MOSFETs have unsurpassed performance because of their high switching rate with negligible losses. In the medium-power rating, an IGBT is considered an ideal device for such converters with PWM technology. In higher a power rating the GTO is normally used with self-commutating and reverse voltage-blocking capabilities at only a few kilohertz switching frequency. Many manufacturers are developing intelligent power modules (IPMs) to give a cost-effective and compact structure to the IPQCs. Another breakthrough has been in IPQCs because of fast-response Hall-effect voltage and current sensors, and isolation amplifiers normally required for the feedback used in the control of these ac–dc converters result in a high level of dynamic and steady-state performance. Many manufacturers such as ABB, LEM, HEME, Analog Devices, and others are offering these sensors at competitive low prices.

Another major push for the technology of IPQC has been due to a revolution in microelectronics. Because of heavy volume requirement, a number of manufacturers such as Unitrode, Analog Devices, Siemens, Fairchild, etc., have developed the dedicated ICs for the cost-effective and compact features to control these converters. Moreover, high-speed and high-accuracy microcontrollers and digital signal processors (DSPs) are available at reasonably low cost. Many processors are developed to give direct PWM outputs with fast software [69], [82], [140] normally used in some of these converters, which reduces hardware drastically. With these processors it is now possible to implement new and improved control algorithms of real-time control to provide fast dynamic performance of IPQCs. Starting with conventional proportional–integral (PI) controllers, sliding-mode-, fuzzy-logic-, and neural-network-based controllers have been employed in the control of these converters. Apart from this, a number of models of instruments are available to measure the performance of these IPQC which are named as power analyzers, power scopes, power monitors, spectrum analyzers, etc., which give direct harmonic bar spectrum, total harmonic distortion even up to 51st order of harmonics, power factor (PF), crest factor (CF), displacement factor (DF), kVA, kVAR, kW, and energy consumed, ripples, surge, swell, notch width, and height, etc.

## III. CONFIGURATIONS

IPQCs are classified on the basis of topology and type of converter used. The topology-based classification is categorized on the basis of boost, buck, buck–boost, multilevel, unidirectional and bidirectional voltage, current, and power flow. The converter type can be step-up and step-down choppers, voltage-source and current-source inverters, bridge structure, etc. Figs. 1 and 2 show these two types of classifications of IPQCs.

### A. Topology-Based Classification

This classification of IPQC is based on the topology used in the converters. These are classified as boost, buck, buck–boost, and multilevel with unidirectional and bidirectional power flow. Fig. 1 shows the tree of topology-based classification of IPQCs. These converters are developed in such vastly varying configurations to fulfill the very close and exact requirement in variety

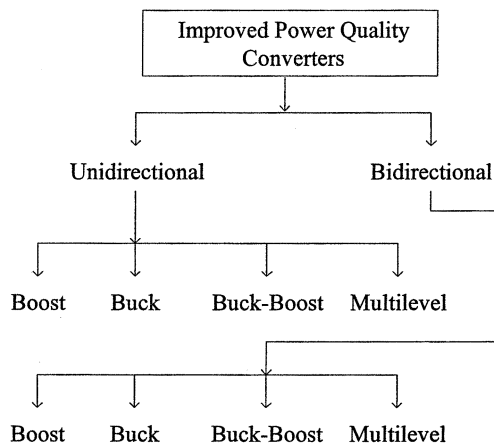


Fig. 1. Topology-system-based classification of improved power quality converters.

of applications. Some of these IPQCs are improved to provide better performance from primitive configurations. Figs. 3–10 show the basic circuit configurations of IPQCs of all eight categories for ac–dc conversion.

- **Unidirectional Boost Converters [26]–[202]:**

Fig. 3 shows the various configurations of such converter to improve the power quality at ac mains and dc output, reduced losses and noise, enhanced compactness by drastically cutting their weight and volume. In principle, it is a combination of diode bridge rectifier and step-up dc chopper with filtering and energy storage elements. There have been many modifications as shown in Fig. 3(b)–(e) using the concept of interleaved and multicell to improve their performance. High-frequency PWM and hysteresis current control techniques are used in the control of inner current loop and wide-bandwidth closed-loop controllers in outer voltage loop of these converters to provide fast response and high level of power quality at input ac mains and dc output. These IPQCs provide well regulated dc output voltage even under wide varying ac input voltage from 90 to 300 V and frequency ranging from 40 to 70 Hz or dc input resulting in a concept of universal input in number of applications. These converters are extensively used in electronic ballasts, power supplies, variable-speed ac motor drives in compressors, refrigerators, pumps, fans, etc.

- **Bidirectional Boost Converters [203]–[250]:**

Observing the success of previous converter, these types of converters are developed to meet the requirements of applications of bidirectional power flow in addition to improved power quality at input ac mains in terms of high power factor and low THD with well-regulated output dc voltage. Fig. 4 shows the few circuits of this type of converter. Starting from its basic topology, the other circuits are evolved to enhance its performance. Some of their applications are battery charging and discharging in line interactive UPS, BESS, and transport applications such as metro and traction. This converter is also used for utility interface with nonconventional energy sources such as solar PVs, wind, etc. The basic topology is a PWM-based voltage source inverter with an input ac filter inductor and output energy storage dc capac-

itor. Concept of dc-link ripple reduction is also investigated using a third active arm as shown in Fig. 4(c) and (d) to improve their performance and reduce the need of an energy storage capacitor at the dc link. These new configurations of these converters also provide fast and wide-bandwidth control of dc output.

- **Unidirectional Buck Converters [251]–[300]:**

The basic circuits of this topology are shown in Fig. 5. It is a combination of diode rectifier with step-down chopper with input and output filters. Its performance is improved using a ripple filter at dc output for reducing harmonics in ac mains and ripples at dc output voltage. Nowadays, it is also developed using a diode rectifier with filter and various combinations of dc–dc converter with and without high-frequency transformer isolation. Fig. 5(d) shows one of such circuit using full-bridge dc–dc converter with high-frequency isolation. High-frequency transformer isolation reduces the size, cost, weight, and volume of transformer used for isolation and voltage matching. There may be many other combinations of isolated configurations using forward, push–pull, half-bridge dc–dc converters, etc using single, two or four devices. It has been developed to replace conventional thyristor based semiconverter. It has the features of high power factor, low harmonic current in the ac mains, and meets the requirement of varying controllable output dc voltage. These converters also provide very fast response compared to conventional semiconverter resulting in reduced size of ac and dc filters less stress on load and other components. It is used in the small-rating dc motor speed control, battery charging, isolated regulated dc supply, etc. In a high power rating, it can be made with a GTO as shown in Fig. 5(c).

- **Bidirectional Buck Converters [301]–[306]:**

Fig. 6 shows two typical circuits of these converters. Its basic circuit is a PWM-based current-source inverter with self-commutating devices. Since MOSFETs, BJTs, and IGBTs do not have reverse voltage blocking capability, a series diode is required to provide reverse voltage blocking capability. However, if a GTO is used, it does not require this additional diode but cannot operate at high PWM frequency, which is a prime factor to reduce the size of the filter and energy storage elements. It can be considered as a replacement of a single-phase thyristor bridge rectifier. Similarly to that, it has unidirectional dc current with controllable bidirectional dc-link voltage to provide bidirectional power flow. It provides much faster response compared to a conventional dual converter. Output dc ripple compensation is also made using a third leg as shown in Fig. 6(b) and it needs a reduced size filter with improved performance at input ac mains and output dc load. With the double bridge connection in antiparallel, it provides performance similar to that of a conventional thyristor dual converter. In a large power rating such as in traction, it is used with several series converters with transformers for an isolated single-phase system with GTO to improve power quality at the input ac mains and at dc output. It may also be used in dc motor drives, battery charging, and to provide an ideal dc current source to feed current-source-inverter-based ac motor drives.

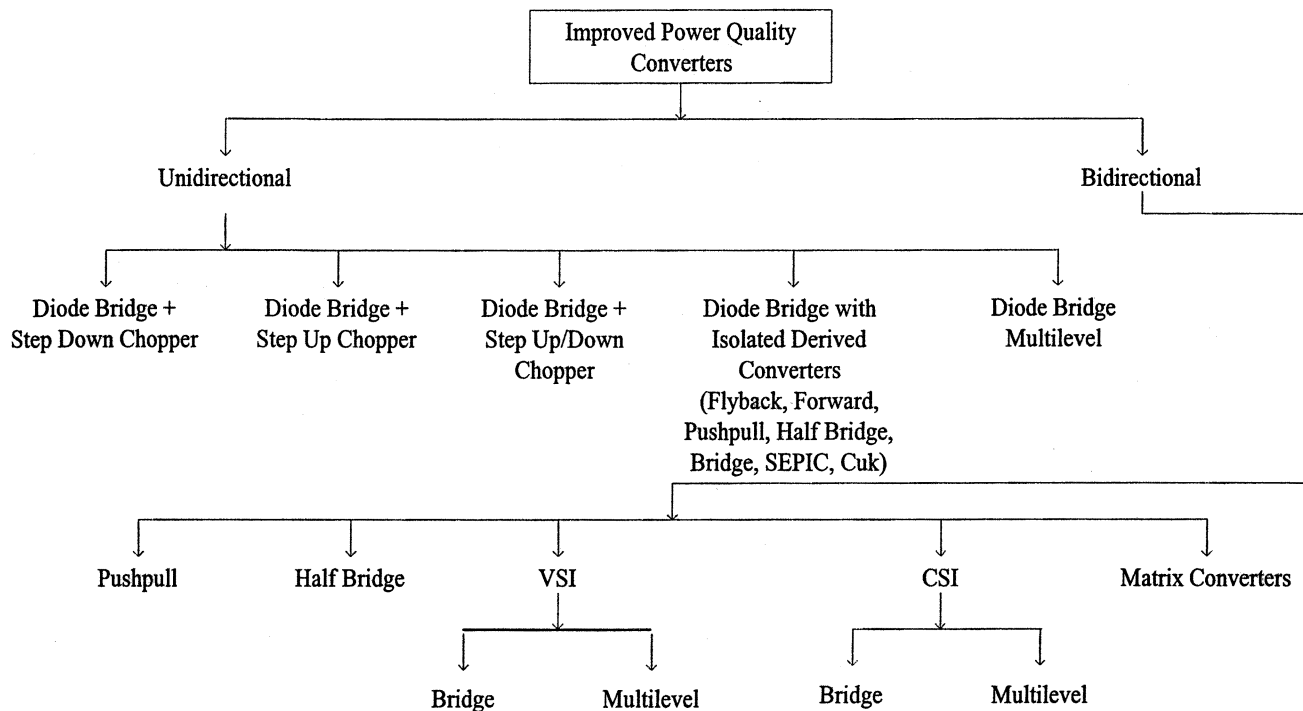


Fig. 2. Converter-based classification of improved power quality converters.

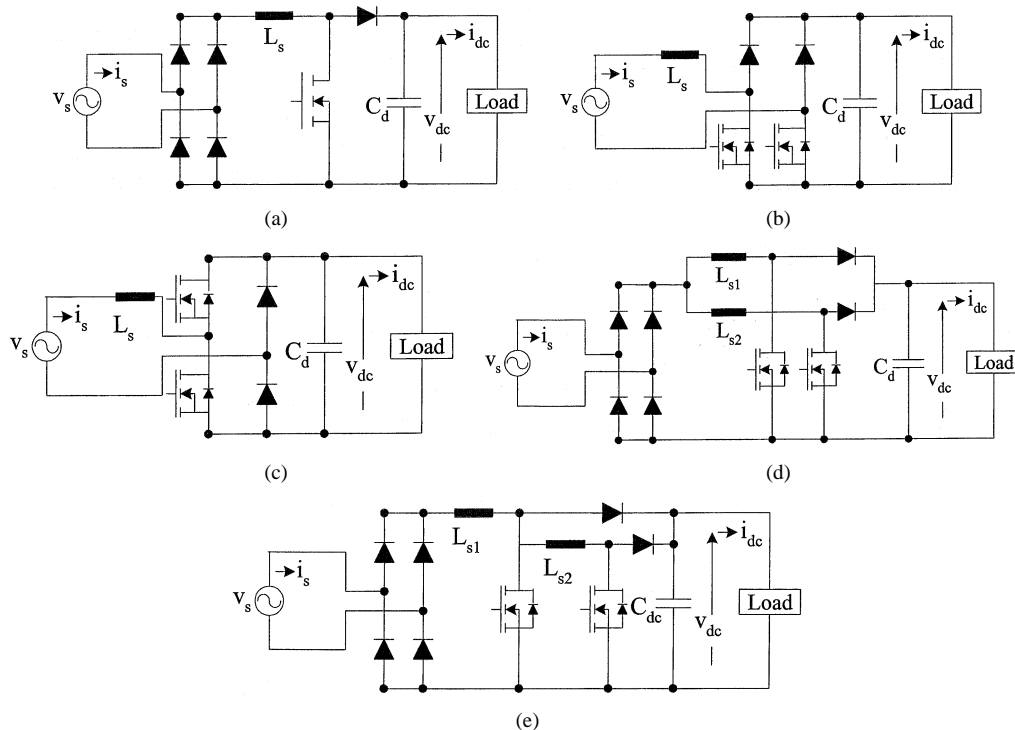


Fig. 3. (a) Unidirectional boost converter. (b) Symmetrical two-device unidirectional boost converter. (c) Asymmetrical two-device unidirectional boost converter. (d) Interleaved two-cell unidirectional boost converter. (e) Unidirectional boost converter with high frequency active EMI filter.

• **Unidirectional Buck-Boost Converters [307]–[426]:**

These converters are developed in both nonisolated and isolated circuit configurations. Fig. 7 shows a few circuits of these converters. It is a combination of diode rectifier with buck-boost dc-dc converters. Since buck-boost converters are developed in nonisolated and isolated topologies, a large number of configurations is also reported, such as a

combination of buck and boost or vice versa, buck-boost, flyback, SEPIC, Zeta, Cuk, etc. These are now cascaded with a diode rectifier to improve power quality at the ac mains with required variable controllable output dc voltage to meet the need of specific applications. High-frequency transformer isolation provides voltage adjustment for better control, safety on load equipment, compactness, reduced

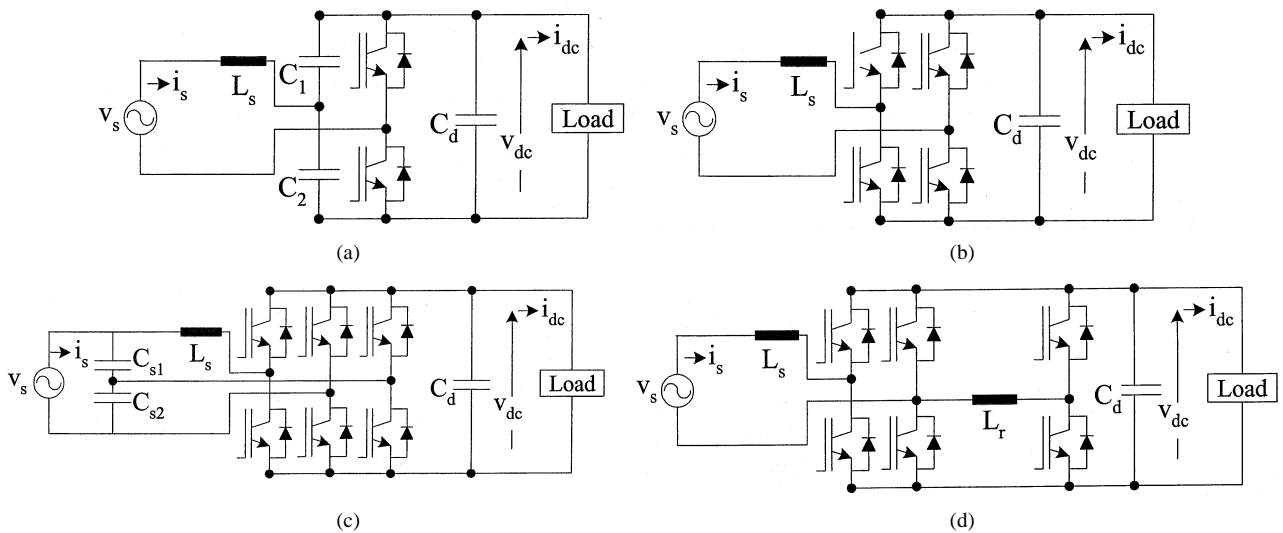


Fig. 4. (a) Half-bridge bidirectional boost converter. (b) VSI full bridge bidirectional boost converter. (c) Bridge bidirectional boost converter with dc ripple compensation using ac midpoint capacitors and third leg. (d) Bridge bidirectional boost converter with dc ripple compensation using an inductor and third leg.

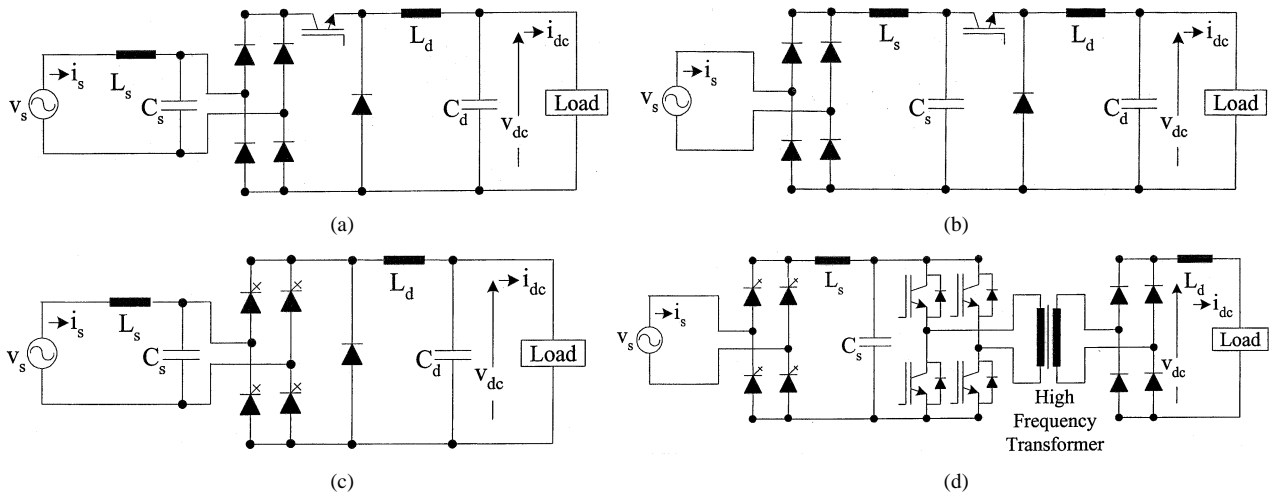


Fig. 5. (a) Unidirectional buck converter with input ac filter. (b) Unidirectional buck converter with input dc filter. (c) GTO bridge-based unidirectional buck converter. (d) Unidirectional buck converter with high frequency isolated dc-dc buck stage.

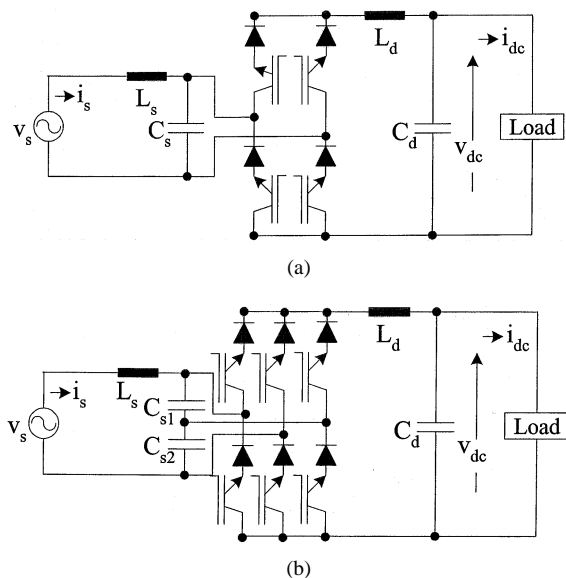


Fig. 6. (a) Bidirectional buck converter. (b) Bidirectional buck converter with a neutral leg.

weight, size, losses, and their suitability to the varying applications. Moreover, it needs only a single switch as shown in Fig. 7(b)–(e) which is inherently capable of giving regulated dc output with reduced ripple and high power factor and low THD at the ac mains through proper control. The concept of soft switching using resonant circuits is also used to reduce switching stresses and losses in the devices to operate at high switching frequency to further reduce the size of magnetics and energy storage elements. Therefore, a large number of circuit topologies is possible and used but here only a few basic circuits are given to provide a basic understanding and exposure to these converters. These IPQCs are extensively used in SMPSs, railway signaling, battery chargers, UPSs; small-rating brushless ac motor drives, etc.

• **Bidirectional Buck–Boost Converters [427]:**

Fig. 8 shows the circuit of this type of converter. This circuit is similar to a matrix converter, which outputs variable bidirectional dc voltage and reversible current. It is quite a versatile converter with bidirectional power flow. It can work

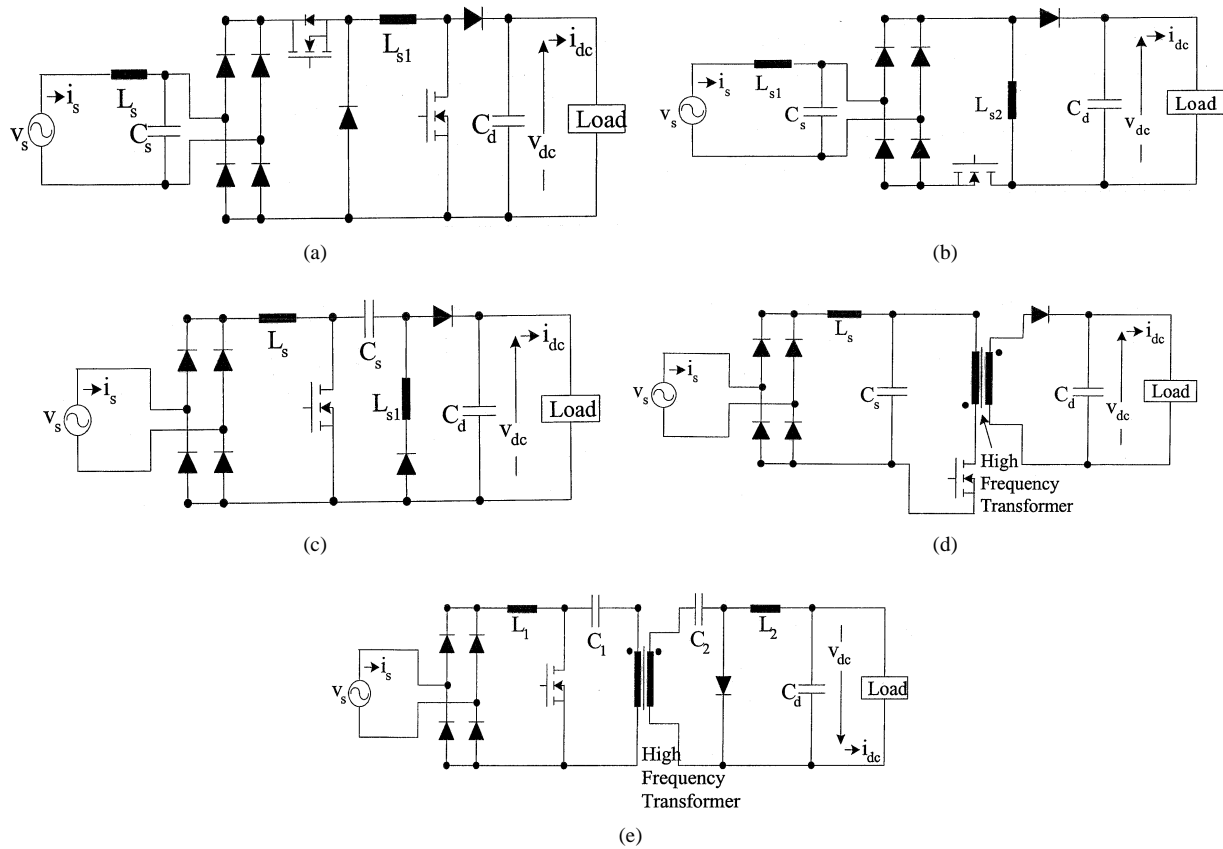


Fig. 7. (a) Cascaded unidirectional buck–boost converter. (b) Single-device unidirectional buck–boost converter. (c) SEPIC-derived unidirectional buck–boost converter. (d) Flyback-based unidirectional buck–boost converter. (e) Isolated Cuk-derived unidirectional buck–boost converter.

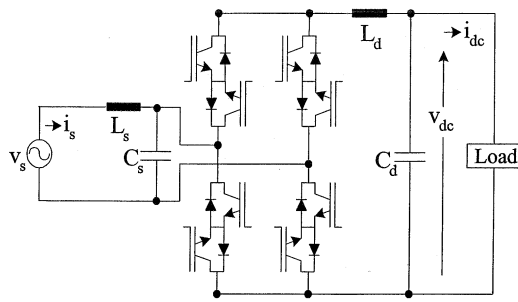


Fig. 8. Bidirectional buck–boost converter.

as a current-source or a voltage-source rectifier and inverter with reduced energy storage elements for fast response. It is a most interesting converter, which operates as a four-quadrant converter and has the capability of operating in buck as well as boost mode. Here, increasing its switching frequency can further reduce the size of input and output filters. However, for a high power rating, it can be implemented using a GTO which also avoids the series diode normally used with IGBTs to provide reverse voltage blocking capability.

#### • Unidirectional Multilevel Converters [428]–[442]:

Fig. 9 shows the five circuits of these types of converters. It is implemented using diode rectifier with PWM controller and active bidirectional switch to reduce the harmonics. Many circuit configurations are reported in the literature [430], [433], [440], [441] and few are shown in Fig. 9(a)–(e) using unidirectional and bidirectional switches with single,

dual, and three capacitors at the dc link. It can be half bridge as shown in Fig. 9(a) and full bridge as given in Fig. 9(b)–(e) with varying features. These converters provide high power factor and reduced THD of current at the input ac mains and ripple-free regulated dc output voltage. It reduces the stresses on the components and their rating and provides same level of performance at reduced switching frequency, thus resulting in low switching losses and high efficiency. These are extensively used for feeding the variable-speed drive employing brushless motors with an inverter having unidirectional power flow in applications such as air conditioning, variable speed fans, pumps, compressors, etc.

#### • Bidirectional Multilevel Converters [443]–[463]:

Other types of bidirectional boost converters are multilevel converters as shown in Fig. 10. These converters offer the advantages of low voltage stresses on switches, reduced losses at reduced switching frequency for the same level of performance in terms of reduced harmonics and high power factor at the input ac mains and regulated ripple-free dc output voltage at varying loads. These are further classified as diode clamped (Fig. 10(b)), flying capacitor (Fig. 10(c)), and cascaded (Fig. 10(d)) multilevel converters. These converters have bidirectional power flow and are used for even high-power applications such as BESS, metros, traction, etc. These can be developed for a higher number of levels for high-voltage and high-power applications. It has been reported that the ac supply current THD can be reduced below 1% without using PWM control [446].

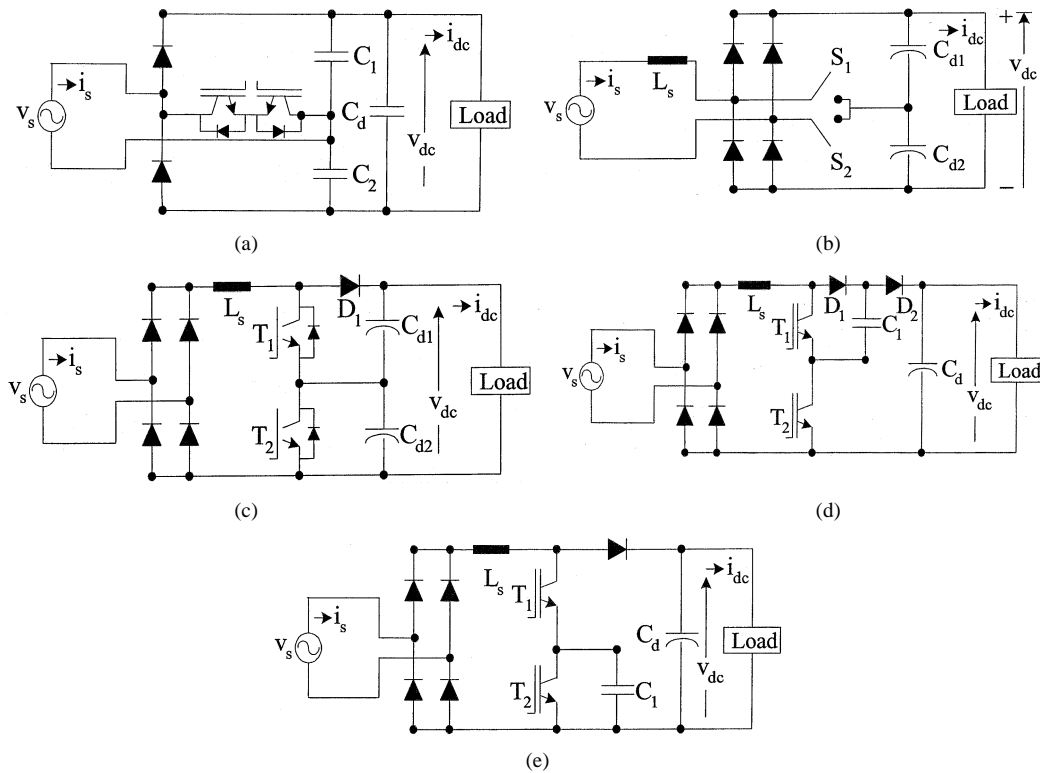


Fig. 9. (a) Half-bridge unidirectional multilevel converter. (b) Two-bidirectional-switch unidirectional multilevel converter. (c) Two-switch midpoint unidirectional multilevel converter. (d) Adapted unidirectional multilevel converter. (e) Modified adapted unidirectional multilevel converter.

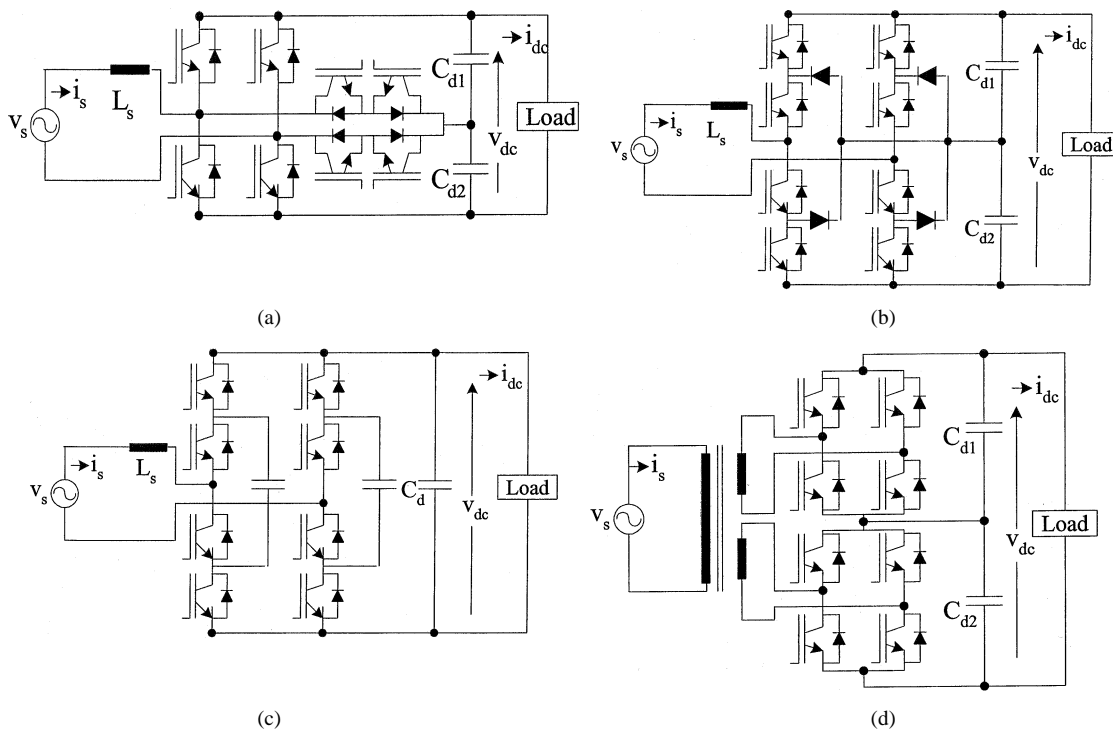


Fig. 10. (a) Bidirectional three-level converter using two bidirectional switches. (b) Bidirectional diode clamped three-level converter. (c) Bidirectional flying capacitor clamped three-level converter. (d) Bidirectional cascaded five-level converter.

The stepped voltage waveform generated by multilevel converters avoids high-order harmonics, reduces switch losses and stress on switching devices, and these are most suitable for high-power and high-voltage applications.

### B. Converter-Based Classification

This type of classification is based on the converter used as shown in Fig. 2. These are broadly classified into two types, namely, unidirectional and bidirectional converters.

Unidirectional converters are realized using a diode bridge in conjunction with other basic power electronic converters, namely, step-down chopper, step-up chopper, step-up/down chopper, isolated, forward, flyback, push pull, half bridge, bridge, SEPIC, Cuk, Zeta, etc., and multilevel converters. The concept of multicell, interleaved, and soft switching are pioneer developments to improve their performance. Nowadays, these converters are implemented in a single stage to reduce the size, cost, weight, volume, and losses. A high-frequency isolation transformer offers reduced size, cost, weight, appropriate voltage matching, and isolation to optimum voltage. Multilevel converters have the advantages of low stresses on the devices, low losses and, thus, high efficiency, and are suitable for high-power applications. It has a stepped voltage waveform instead of PWM and has reduced high-frequency currents. Unidirectional converters are quite popular in a large number of applications such as power supplies, variable-speed drives for fans, compressors, air conditioning, etc.

Bidirectional ac–dc converters consist of basic converters normally used in inverters such as push–pull, half-bridge, voltage-source inverters, current-source inverters employing MOSFETs for low-power, IGBTs for medium-power, and GTOs for high-power converters. These ac–dc converters are extensively employed for adjustable-speed drives used to drive active loads such as a hoist, a crane, traction, etc., line interactive UPS, and BESS. Four-quadrant ac–dc converters are normally implemented using matrix converters. These converters have the additional features of boosting output dc voltage in comparison to classical thyristor-based dual converters. Multilevel converters with a higher number of levels have the advantages of avoiding low-frequency transformer magnetics and PWM switching, resulting in reduced size, high efficiency, and reduced high-frequency noise. These are considered a new breed of converters for high-voltage and high-power applications.

#### IV. CONTROL STRATEGIES

The control strategy is the heart of IPQCs and normally implemented in three parts. In the first part of control, the essential variables used in control are sensed and scaled to feed to the processors for the use in control algorithm as the feedbacks. These signals are input ac mains voltage, supply current, output dc voltage, and, in some cases, additional voltages such as capacitor voltage and inductor current, which are used in the intermediate stage of the converters. The ac voltage signal is sensed using potential transformers (PTs). Hall-effect voltage sensors, isolation amplifiers, and low-cost optocouplers are used to sense dc voltages, especially in small power supplies. These voltage signals are scaled and conditioned to the proper magnitude to feed to the processors via ADC channels or as the synchronizing signals for zero-crossing detection. The current signals are sensed using current transformers (CTs), Hall-effect current sensors, and low-cost shunt resistors or tapped isolated winding in the inductors to reduce the cost. These current signals are also conditioned and used as the feedbacks at different stages of control either in control algorithm or in current control stage such as in PWM controllers or in both stages of control. These

signals are sometimes filtered either through analog hardware circuits or through software in the processor to avoid noise problems in the control. These sensed voltage and current signals are also used sometimes to monitor, measure, protect, record and display the various performance indices such as THD, displacement factor, distortion factor, power factor, crest factor, individual harmonics, ripple factor, percentage ripples, sag and swell, surges and spikes, components stresses, etc. The cost of these sensing devices such as Hall-effect sensors and other components used in sensing are drastically reducing day by day because of mass manufacturing and competition among the manufacturers. Moreover, some indirect sensing of these signals is also used through additional feedback nodes (terminal) in the IPM of MOSFETs and IGBTs to reduce the cost and to enhance the reliability of the converter.

The second stage of control, which is the heart of the control strategy, is the control algorithm responsible for the high-level transient and steady-state performance of the IPQCs. The control algorithms are implemented through analog controllers, low-cost microcontrollers, fast high number of bits DSPs, application-specific integrated circuits (ASICs) depending upon the rating, customer requirements, cost, and types of converters. Normally, dc output voltage of the converters is the system output used as feedback as in outer closed loop control and various control approaches such as PI controller, proportional–integral–derivative (PID) controller, sliding-mode control (SMC) [196], [230], [342], [385] also known as variable-structure control (VSC), fuzzy logic controllers (FLCs) [77], [147], adaptive controllers, neural-network (NN)-based controllers [54] are employed to provide fast dynamic response while maintaining the stability of the converter system over the wide operating range. The output of this voltage controller is normally considered the amplitude of the ac mains input current or indirect derived current such as inductor current and multiplied with unit template derived in phase of ac voltage to generate the desired reference unity power factor, sinusoidal supply current.

The third stage of the control strategy of the IPQCs is to derive the gating signals for the solid-state devices of the converters. The reference supply current along with sensed supply current is used in the current controller, which directly generates the switching signals. A number of current controllers namely hysteresis, PWM current or PWM voltage control through proportional, PI, PID, SMC, FLC, and NN-based controllers, are implemented either through hardware (analog and digital ICs) or through software in the same processors (DSPs or microcontrollers, which are used in the second stage) to derive the gating signals. Nowadays, processors are available which are developed only for power electronics applications and have dedicated PWM controllers as an inbuilt feature to implement concurrently all three stages of the control strategy for improving the transient and steady-state performance of the IPQCs.

Moreover, in some control approaches, the second and third parts of the control strategy of IPQCs are implemented in the integrated manner over the sensed voltage and current signal. The voltage and/or current or derived power signals are used in the closed loop controllers to derive reference current or voltage signals for generating directly gating signals. The concurrent



and integrated implementation of three stages of control algorithm provides cost-effective, compact, and fast response of the IPQCs.

The derived gating signals, obtained either through digital output from the processors or dedicated hardware, are normally fed to the optocoupler for isolation, and then amplified to the required level before giving them to the power devices of IPQCs. There are some dedicated driver ICs for this purpose, which result in compact and clean interfacing between control and power stages of the hardware. Moreover, nowadays, IPMs are developed which provide inherent inbuilt drivers along with protection in the power modules. However, the complete integration of control, interfacing and power module of the IPQCs are on the race of development to provide compact, cost-effective, reliable, reduced-weight, and high-efficiency ac–dc converters. Because of heavy application potential of some of the IPQCs, many semiconductor manufacturers have developed dedicated ICs, namely, Unitrode (UC3854), Motorola (MC34261), Analog Devices (ADMC 401), Siemens (TDA 16888), Texas (TMS320F240), etc., for the control of these converters.

#### V. COMPONENTS SELECTION AND INTEGRATION OF IPQCs FOR SPECIFIC APPLICATIONS

The selection of components of the IPQCs is very important to achieve a high level performance of ac–dc converters. The main and costly component of the IPQCs is the solid-state power device. In small power rating converters, normally MOSFETs are used resulting in reasonably high efficiency even at high switching frequency responsible to reduce the size of magnetics. In medium power rating IPQCs, IGBTs are invariably used because of their good gating characteristics and capability to operate in wide switching frequency range to make optimum balance between magnetics, size of filter components and switching losses. In a high power rating, GTOs are normally used with advantages of self-commutating and reverse voltage-blocking capability.

The concepts of power module, IPM, smart devices, etc., have given a real boost to IPQCs technology because of circuit integration, compactness, cost reduction, reduced noise, and high efficiency. With the several power devices in one module along with their gating and protection integration, it has become possible to develop small-sized and lightweight IPQCs. In many cases, the complete control of IPQCs is also integrated in the same module along with the required modifications to suit for specific applications.

Another set of components of IPQCs is the energy storage elements such as inductors, capacitors and other devices used in filters, protection circuits and resonating circuits. For example, a series inductor at the input of a PFC or VSI bridge working as bidirectional boost converter is normally employed as the buffer element between ac mains voltage and PWM voltage generated by the converter to shape the input current into desired manner. The value of this inductor is quite crucial in the performance of IPQCs. With the small value of this inductor the large switching ripples are injected in to supply current, and large value of it does not allow shaping the ac

mains current in the desired fashion. Therefore, the optimum selection of this inductor is essential to achieve satisfactory performance of the IPQCs. Similarly, the value of capacitor and inductor as an input filter in buck converter is also quite important for proper response, stability and optimum design of the IPQCs. Moreover, the design of the inductors is also very important to avoid saturation and reducing losses under ac, dc, and mixed excitation. The value of dc-bus capacitor in boost converters and LC filters in buck converters is quite crucial as it affects the response, cost, stability, size and efficiency. A small value of the capacitor results in large ripple in steady state and big dip and rise in dc-link voltage under transient conditions. A high value of it reduces the dc voltage ripple but increases cost, size, and weight.

Transformers operating at high frequency are used in power supplies in which transformer weight, size, and rating are quite important. There are continuous attempts to reduce their size and cost through new configurations. The high-frequency transformers are also used in isolated topologies of IPQCs and their design is very important to reduce size, cost and losses. The use of newer magnetic materials and operating frequency plays an important role to revolutionize the technology of IPQCs especially in some power supplies.

Some of the IPQCs are developed as an integral part of total converter system for few typical applications. In case of high-frequency electronic ballasts for lighting systems, PFC-based IPQCs are the integral part of high frequency converter system because of compactness for reducing total number of solid-state devices and their control. Similarly, a PFC-based IPQC is also an integral part of switch-mode power supplies, battery chargers, inverter-fed variable-speed drives, etc. Since IPQCs are used as an input front-end converter to feed number of converter and inverter systems for many applications, it is now a very common feature to integrate IPQCs with the second stage converter, resulting in a single-stage and/or compact, high-power-density, lightweight, reduced-cost, efficient complete converter system. Moreover, dedicated controllers are also available for an integrated unit to reduce the cost and to enhance the reliability of total system.

#### VI. COMPARATIVE FEATURES OF IPQCs AND OTHER OPTIONS OF POWER QUALITY IMPROVEMENT

The classified IPQCs of eight categories mentioned in the previous section do not clash with each other in the way of ac–dc conversion and have all together different features to suit a number of applications. Therefore, according to the requirement of application and/or second stage conversion, a particular choice of IPQCs may be considered to provide the most suitable option. However, within the same category of IPQCs, there are many circuits which have relative merits and demerits toward ideal characteristics. Typically, for example, in a single-phase unidirectional boost converter, there is a basic circuit with one device and other circuits with two devices, interleaved and multicell configurations. These additional configurations have improved performance but at higher cost. Therefore, the designer has to decide a configuration of a particular IPQCs on the basis of a tradeoff between performance and cost. A similar compar-

ison exists for other IPQCs within their different configurations. In a few cases, a choice can also be made among different IPQCs for specific applications. However, in such cases, there are not many options for the selection to the designer and one can have straightforward decision to opt right IPQC, which offers better performance at comparable cost. There are many publications which can be looked at for such comparisons among different circuit configurations [23], [24], [45], [60], [144], [187], [188], [250], [296], [333], [402], [405]. There are also some other options for power quality improvement in ac–dc conversion. For example, one can choose a series active filter or shunt active filter or hybrid filter in the input of diode rectifier with capacitive filter at dc output to feed a number of dc loads [6]–[8]. It means one can have a number of options to select one of the best converter for a particular application. For example, if a diode bridge rectifier is already working at sites then the filter may be right choice in such cases. Moreover, one has to decide the best filter configuration among all possible options. However, if a designer is at the decision design stage then IPQCs may be a better option, which may provide improved performance in terms of output dc voltage regulation and high power factor and low THD of the mains current. Similar situations may occur in a number of cases and the design engineer must be aware of all possible options and their relative features to select the best converter from the overall point of view.

#### VII. SELECTION CONSIDERATIONS OF IPQCs FOR SPECIFIC APPLICATIONS

Selection of IPQCs for a particular application is an important decision for application engineers. The following are a few factors responsible for selection of right converter configuration for specific applications:

- required level of power quality in input (permitted PF, CF, THD);
- type of output dc voltage (constant, variable, etc.);
- power flow (unidirectional and bidirectional);
- number of quadrants (one, two, or four);
- nature of dc output (isolated, nonisolated);
- requirement of dc output (buck, boost, and buck–boost);
- required level of power quality in dc output (voltage ripple, voltage regulation, sag and swell);
- type of dc loads (linear, nonlinear, etc.);
- cost;
- size;
- weight;
- efficiency;
- noise level (EMI, RFI, etc.);
- rating (W, kW, MW, etc.);
- reliability;
- number of dc outputs;
- environment (ambient temperature, altitude, pollution level, humidity, types of cooling, etc.).

Moreover, these are only a few factors. There are some other considerations such as comparative features of other options of power quality improvement, types of device, magnetic components, protection, etc., in the selection of best IPQCs for a specific application.

#### VIII. LATEST TRENDS AND FUTURE DEVELOPMENTS IN IPQCs TECHNOLOGY

IPQCs technology has been developed to a mature level and is finding widespread applications in fraction of watt power supplies to megawatt converter systems in ac–dc–ac link, BESSs, ASDs, etc. However, there are consistent new developments in IPQCs for further improvements in their performance. Some of the new trends are soft-switching techniques to reduce switching losses in IPQCs even at high switching frequency to enhance the dynamic response and to reduce the size of energy storage elements (filters at input and output, high-frequency transformers). The concept of interleaved and multicell is used in the development of PFC-based IPQCs to improve performance and to eliminate EMI passive filters. The new developments toward single-stage conversion have resulted in increased efficiency, reduced size, high reliability, and compactness of IPQCs.

Sensor reduction has also revolutionized the IPQC technology to reduce the cost and enhance the reliability. Dedicated ASICs for the control of IPQCs are finding wide spread use in the new applications. The new approaches in multilevel converters are offering high efficiency, reduced stress on devices, and reduced high-frequency noise.

The further improvement in solid-state device technology in terms of low conduction losses, higher permissible switching frequency, ease in gating process, and new devices especially with low voltage drop and reduced switching losses will give a real boost for IPQCs in low-voltage dc power applications required for high-frequency products. The multiple device integration into a single power module as a cell for direct use as a configuration of IPQCs will result in size reduction, increased efficiency, and a low-cost option. The sensors, control, gating, and protection integration in the IPM will provide a new direction in the development of IPQCs. Dedicated processors and ASICs development for IPQCs are also expected in the near future to reduce their cost, ease in control, and compact and efficient ac–dc conversion. Soft-switching technology is also to be a big hope to relieve thermal design, size reduction, and improving the efficiency of ac–dc converters. The invention of new configurations and conversion stage reduction in IPQCs will explore a number of newer applications.

#### IX. CONCLUSION

An exhaustive review of IPQCs has been presented to explore a wide perspective of various configurations of IPQCs to researchers, designers, application engineers, and end users of ac–dc converters. A broad classification of IPQCs into eight categories with further subclassification of various circuits is expected to provide easy selection of an appropriate converter for a particular application. These IPQCs can be considered to be a better alternative for power quality improvement because of reduced size of overall converter, higher efficiency, lower cost, and enhanced reliability compared to other means of power quality improvement. These converters provide improved power quality not only at the input ac mains but also at dc output for the better overall design of equipment. These converters have given the feature of universal input to the number of products which can have input power either from ac mains of a varying voltage of 90 to 300 V with a varying frequency from 40 to 70 Hz or dc input.

Moreover, the use of these IPQCs results in equipment behaving as a linear resistive load at the ac mains. The new developments in device technology, processors, magnetics, and control algorithms will give a real boost to these IPQCs in the near future. It is hoped that this survey on IPQCs will be a useful reference to the designers, users, manufacturers, and researchers working on ac-dc converters.

## REFERENCES

### ● Standards, Texts, and Review Articles

- [1] *IEEE Recommended Practices and Requirements for Harmonics Control in Electric Power Systems*, IEEE Std. 519, 1992.
- [2] *Electromagnetic Compatibility (EMC)—Part 3: Limits—Section 2: Limits for Harmonic Current Emissions (Equipment Input Current < 16 A per Phase)*, IEC1000-3-2 Doc., 1995.
- [3] *Draft-Revision of Publication IEC 555-2: Harmonics, Equipment for Connection to the Public Low Voltage Supply System*, IEC SC 77A, 1990.
- [4] W. M. Grady, M. J. Samotyj, and A. H. Noyola, "Survey of active power line conditioning methodologies," *IEEE Trans. Power Delivery*, vol. 5, pp. 1536–1542, July 1990.
- [5] J. D. Van Wyk, "Power quality, power electronics and control," in *Proc. EPE'93*, 1993, pp. 17–32.
- [6] H. Akagi, "New trends in active filters for power conditioning," *IEEE Trans. Ind. Applicat.*, vol. 32, pp. 1312–1322, Nov./Dec. 1996.
- [7] B. Singh, K. Al. Haddad, and A. Chandra, "A review of active filters for power quality improvement," *IEEE Trans. Ind. Electron.*, vol. 46, pp. 960–971, Oct. 1999.
- [8] M. El-Habrouk, M. K. Darwish, and P. Mehta, "Active power filters: A review," *Proc. IEE—Elect. Power Applicat.*, vol. 147, pp. 493–413, Sept. 2000.
- [9] J. Arrillaga, D. Bradley, and P. Bodger, *Power System Harmonics*. New York: Wiley, 1985.
- [10] G. Seguier, *Power Electronic Converters AC/DC Conversion*. New York: McGraw-Hill, 1986.
- [11] J. W. Clark, *AC Power Conditioners-Design, Applications*. San Diego, CA: Academic, 1990.
- [12] J. G. Kassakian, M. F. Schecht, and G. C. Verghese, *Principles of Power Electronics*. Reading, MA: Addison-Wesley, 1991.
- [13] M. H. Rashid, *Power Electronics: Circuits, Devices, and Applications*, 2nd ed. Englewood Cliffs, NJ: Prentice-Hall, 1993.
- [14] G. T. Heydt, *Electric Power Quality*, 2nd ed. West Lafayette, IN: Stars in a Circle, 1994.
- [15] N. Mohan, T. Udeland, and W. Robbins, *Power Electronics: Converters, Applications and Design*, 2nd ed. New York: Wiley, 1995.
- [16] R. C. Dugan, M. F. McGranaghan, and H. W. Beaty, *Electric Power Systems Quality*. New York: McGraw-Hill, 1996.
- [17] R. W. Erickson, *Fundamentals of Power Electronics*. New York: Chapman & Hall, 1997.
- [18] I. Pressman, *Switching Power Supply Design*, 2nd ed. New York: McGraw-Hill, 1998.
- [19] P. T. Krein, *Elements of Power Electronics*. New York: Oxford Univ. Press, 1998.
- [20] G. J. Porter and J. A. V. Sciver, *Power Quality Solutions: Case Studies for Troubleshooters*. Lilburn, GA: Fairmount, 1999.
- [21] M. H. J. Bollen, *Understanding Power Quality Problems: Voltage Sags and Interruptions*, ser. Power Engineering. New York: IEEE Press, 2000.
- [22] J. P. Agarwal, *Power Electronics Systems: Theory and Design*. Upper Saddle River, NJ: Prentice-Hall, 2001.
- [23] R. Prasad, P. D. Ziogas, and S. Manias, "A comparative evaluation of SMR converters with and without active input current wave shaping," *IEEE Trans. Ind. Electron.*, vol. 35, pp. 461–468, Aug. 1988.
- [24] G. A. Karvelis, S. N. Manias, and G. Kostakis, "A comparative evaluation of power converters used for current harmonics elimination," in *Proc. IEEE HQP'98*, 1998, pp. 227–232.
- [25] H. Wei and I. Batarseh, "Comparison of basic converter topologies for power correction," in *Proc. IEEE SOUTHEASTCON'98*, 1998, pp. 348–353.
- [26] A. Khan and R. W. Erickson, "Control of switched-mode converter harmonic-free terminal waveforms through internal energy storage," in *Proc. IEEE PESC'86*, 1986, pp. 13–26.
- [27] M. Albach, "Conducted interference voltage of ac-dc converters," in *Proc. IEEE PESC'86*, 1986, pp. 203–212.
- [28] C. P. Henze and N. Mohan, "A digitally controlled AC to DC power conditioners that draws sinusoidal input current," in *Proc. IEEE PESC'86*, 1986, pp. 531–540.
- [29] K. K. Sen and A. E. Emanuel, "Unity power factor single phase power conditioning," in *Proc. IEEE PESC'87*, 1987, pp. 516–524.
- [30] M. F. Schlecht and B. A. Miwa, "Active power factor correction for switching power supplies," *IEEE Trans. Power Electron.*, vol. 2, pp. 273–281, Oct. 1987.
- [31] E. Destobbeleer, G. Seguier, and A. Castelain, "AC-DC converter minimizing induced harmonics in industrial power systems," *IEEE Trans. Power Electron.*, vol. 2, pp. 320–327, Oct. 1987.
- [32] J. H. Mulkern and N. Mohan, "A sinusoidal line current rectifier using a zero-voltage switching step-up converter," in *Conf. Rec. IEEE-IAS Annu. Meeting*, 1988, pp. 767–771.
- [33] M. Morimoto, K. Oshitani, K. Sumito, S. Sato, M. Ishida, and S. Okuma, "New single-phase unity power factor PWM converter-inverter system," in *Proc. IEEE PESC'89*, 1989, pp. 585–589.
- [34] R. Itoh and K. Ishizaka, "Single-phase sinusoidal converter using MOS-FETs," *Proc. Inst. Elect. Eng.*, vol. 136, pp. 237–242, Sept. 1989.
- [35] R. W. De Doncker and G. Venkataramanan, "A new single phase ac to dc zero voltage soft switching converter," in *Proc. IEEE PESC'90*, 1990, pp. 206–212.
- [36] K. Mahabir, G. Verghese, J. Thottuvelil, and A. Heyman, "Linear average and sampled data models for large signal control of high power factor ac-dc converters," in *Proc. IEEE PESC'90*, 1990, pp. 372–381.
- [37] C. Zhou, R. B. Ridley, and F. C. Lee, "Design and analysis of a hysteretic boost power factor correction circuit," in *Proc. IEEE PESC'90*, 1990, pp. 800–807.
- [38] B. Andreyckak, "Active power factor correction using zero current and zero voltage switching techniques," in *Proc. HFPC'91*, June 1991, pp. 46–60.
- [39] L. J. Borle and J. C. Salmon, "A single-phase, unity power factor, soft-switching, resonant tank boost rectifier," in *Conf. Rec. IEEE-IAS Annu. Meeting*, 1991, pp. 904–910.
- [40] M. Kazerani, P. D. Ziogas, and G. Joos, "A novel active current wave shaping technique for solid-state input power factor conditioners," *IEEE Trans. Ind. Electron.*, vol. 38, pp. 72–78, Feb. 1991.
- [41] M. Morimoto, K. Sumito, S. Sato, K. Oshitani, M. Ishida, and S. Okuma, "High efficiency unity power factor VVVF drive system of an induction motor," *IEEE Trans. Power Electron.*, vol. 6, pp. 498–503, July 1991.
- [42] S. Manias, "Novel full bridge semi controller switch mode rectifier," *Proc. Inst. Elect. Eng.*, vol. 138, pp. 252–256, Sept. 1991.
- [43] C. Zhou and M. M. Jovanović, "Design trade-offs in continuous current-mode controlled boost power-factor correction circuits," in *Proc. HFPC'92*, May 1992, pp. 209–220.
- [44] T. Matsushashi, K. Itako, T. Mori, and S. Ohya, "Reduction method of high harmonic currents on the AC side of the diode rectifier circuits in the AC electric railways," in *Conf. Rec. IEEE-IAS Annu. Meeting*, 1992, pp. 1343–1350.
- [45] D. Tollik and A. Pietkiewicz, "Comparative analysis of 1-phase active power factor correction topologies," in *Proc. IEEE INTELEC'92*, 1992, pp. 517–523.
- [46] T. C. Chen and C. T. Pan, "Modeling and design of a single phase ac to dc converter," *Proc. Inst. Elect. Eng.*, vol. 136, pp. 465–470, Sept. 1992.
- [47] L. Balogh and R. Redl, "Power-factor correction with interleaved boost converters in continuous-inductor-current mode," in *Proc. IEEE APEC'93*, 1993, pp. 168–174.
- [48] R. Liu, I. Batarseh, and C. Q. Lee, "Resonant power factor correction circuits with resonant capacitor-voltage and inductor-current-programmed controls," in *Proc. IEEE PESC'93*, 1993, pp. 675–680.
- [49] P. Guillemin, J. M. Charreton, and B. Maurice, "Digital power factor correction with nonsine wave current," in *Proc. Eur. Power Electronics Conf.*, 1993, pp. 176–182.
- [50] E. Maset, E. Dede, G. Hua, and F. C. Lee, "100 kHz 2 kW boost ZVT-PWM converter for power-factor correction," in *Proc. IEEE CIEP'93*, 1993, pp. 102–106.
- [51] D. Abud, F. Canles, and J. Arau, "Design of two stage, 1 kW AC/DC power-factor pre-regulator, using the FB-ZVS-PWM topology," in *Proc. IEEE CIEP'93*, 1993, pp. 129–134.
- [52] G. Hua and F. C. Lee, "Soft-switching techniques in PWM converters," in *Proc. IEEE IECON'93*, 1993, pp. 637–643.
- [53] J. Y. Lee, Y. M. Chang, W. I. Tsai, and Y. Y. Sun, "A new soft switching transition PWM boost converter for power factor correction using parallel resonant tank," in *Proc. IEEE IECON'93*, 1993, pp. 942–947.
- [54] D. S. L. Simonetti, G. Bevilacqua, P. Mejía, and J. Uceda, "A neural control of power factor preregulators," in *Proc. IEEE IECON'93*, 1993, pp. 971–976.

- [55] J. C. Salmon, "Techniques for minimizing the input current distortion of current-controlled single-phase boost rectifiers," *IEEE Trans. Power Electron.*, vol. 8, pp. 509–520, Oct. 1993.
- [56] —, "Circuit topologies for single-phase voltage-doubler boost rectifiers," *IEEE Trans. Power Electron.*, vol. 8, pp. 521–529, Oct. 1993.
- [57] R. Krishnan and S. Lee, "Effect of power factor correction circuit on switched reluctance motor drives for appliances," in *Proc. IEEE APEC'94*, 1994, pp. 83–89.
- [58] K. W. Lee, P. W. Bellarby, and J. G. Ramage, "Computer simulation of PFC circuits," in *Proc. IEEE PESC'94*, 1994, pp. 1282–1288.
- [59] S. Deuty, E. Carter, and A. Salih, "New GaAs rectifiers improve rectifier reverse recovery performance in a continuous mode, PFC boost converter," in *Proc. PCIM'94*, Sept. 1994, pp. 1–9.
- [60] A. Kandianis and S. N. Manias, "A comparative evaluation of single-phase SMR converters with active power factor correction," in *Proc. IEEE IECON'94*, 1994, pp. 244–249.
- [61] N. Fröhleken, R. Mende, H. Grotstollen, B. Margaritis, and L. Vollmer, "Isolated boost fullbridge topology suitable for high power and power factor correction," in *Proc. IEEE IECON'94*, 1994, pp. 405–410.
- [62] J. R. Figie and A. A. Arkadam, "A critical conduction/bi-directional constant off-time converter with high power factor," in *Proc. IEEE IECON'94*, 1994, pp. 440–445.
- [63] J. M. S. Kim, P. Shanker, and W. Zhang, "Analysis of predictive control for active power factor correction," in *Proc. IEEE IECON'94*, 1994, pp. 446–451.
- [64] H. O. Aintablian and H. W. Hill, "A new single phase ac to dc harmonic reduction converter based on the voltage-doubler circuit," in *Proc. IEEE IECON'94*, 1994, pp. 452–457.
- [65] R. Parikh and R. Krishnan, "Modeling, simulation and analysis of an uninterruptible power supply," in *Proc. IEEE IECON'94*, 1994, pp. 485–490.
- [66] R. Oruganti and C. Y. Thean, "A novel PFC scheme for ac to dc converter with reduced losses," in *Proc. IEEE IECON'94*, 1994, pp. 639–645.
- [67] D. Maksimović, Y. Jang, and R. Erickson, "Nonlinear-carrier control for high power factor boost rectifier," in *Proc. IEEE APEC'95*, 1995, pp. 635–641.
- [68] D. DaFeng Weng and S. Yuvarajan, "Constant-switching-frequency ac-dc converter using second-harmonic injected PWM," in *Proc. IEEE APEC'95*, 1995, pp. 642–646.
- [69] G. Spiazzi, P. Mattavelli, and L. Rpssetto, "Power factor preregulators with improved dynamic response," in *Proc. IEEE PESC'95*, 1995, pp. 150–156.
- [70] J. W. Kolar, G. R. Kamath, N. Mohan, and F. C. Zach, "Self-adjusting input current ripple cancellation of coupled parallel connected hysteresis-controlled boost power factor correctors," in *Proc. IEEE PESC'95*, 1995, pp. 164–173.
- [71] R. Krishnan, D. Diamantidis, and S. Lee, "Impact of power-factor correction on low power inverter-fed induction motor drive system," in *Proc. IEEE PESC'95*, 1995, pp. 593–598.
- [72] G. Arun, W. Shireen, and P. Enjeti, "Improved active power factor correction circuit using a zero voltage switching boost converter," in *Proc. IEEE PESC'95*, 1995, pp. 701–706.
- [73] D. DaFeng Wang and S. Yuvarajan, "AC-DC converter using second harmonic," in *Proc. IEEE ISIE'95*, 1995, pp. 421–426.
- [74] M. Hernández, C. Aguilar, J. Arau, J. Sebastián, and J. Uceda, "Comparative analysis— injected PWM," in *Proc. IEEE PESC'95*, 1995, pp. 1001–1006.
- [75] J. Abramovitch and S. Ben-Yaakov, "Analysis and design of the feedback and feedforward paths of active power factor correction systems for minimum input current distortion," in *Proc. IEEE PESC'95*, 1995, pp. 1009–1014.
- [76] S. Y. R. Hui, K. W. E. Cheng, and S. R. N. Prakash, "A class of fully soft-switched power-factor correction circuits," in *Proc. IEEE PESC'95*, 1995, pp. 1165–1170.
- [77] P. Mattavelli, S. Buso, G. Spiazzi, and P. Tenti, "Fuzzy control of power factor preregulators," in *Conf. Rec. IEEE-IAS Annu. Meeting*, 1995, pp. 2678–2685.
- [78] R. Lin and T. S. Hwang, "Single-phase rectifier with high power factor in continuous and discontinuous conduction mode of boost and buck-boost derived topologies used as power factor correctors," in *Proc. IEEE IECON'95*, 1995, pp. 335–340.
- [79] F. de Souza and I. Barbi, "A new ZVS-PWM unity power factor rectifier with reduced conduction losses," *IEEE Trans. Power Electron.*, vol. 10, pp. 746–752, Nov. 1995.
- [80] H. A. C. Braga and I. Barbi, "A unity power factor rectifier based on two-cell boost converter using a new parallel-connection technique," in *Proc. IEEE PESC'96*, 1996, pp. 1620–1626.
- [81] Y. T. Chen, "Power factor correction of a single-phase on-line UPS with the half-bridge inverter," in *Proc. IEEE IECON'96*, 1996, pp. 1826–1831.
- [82] M. O. Eissa, S. B. Leeb, G. C. Verghese, and A. M. Stankovic, "Fast controller for a unity-power-factor PWM rectifier," *IEEE Trans. Power Electron.*, vol. 11, pp. 1–6, Jan. 1996.
- [83] R. Martinez and P. N. Enjeti, "A high-performance single-phase rectifier with input power factor correction," *IEEE Trans. Power Electron.*, vol. 11, pp. 311–317, July 1996.
- [84] A. H. Mitwalli, S. B. Leeb, G. C. Verghese, and V. J. Vol J. Thottuvelil, "An adaptive digital controller for a unity power factor converter," *IEEE Trans. Power Electron.*, vol. 11, pp. 374–381, Mar. 1996.
- [85] V. J. Vol J. Ando, I. Takahashi, and K. Utsunomiya, "A simple sensorless method for sinusoidal PWM converters," in *Proc. IEEE PCC-Nagaoka'97*, 1997, pp. 241–246.
- [86] K. C. Lee and B. H. Cho, "Low cost power factor correction (PFC) converter using delay control," in *Proc. IEEE PCC-Nagaoka'97*, 1997, pp. 335–340.
- [87] M. Herfurth and L. Lorenz, "Power factor and PWM controller TDA 16888," in *Proc. IEEE PCC-Nagaoka'97*, 1997, pp. 901–906.
- [88] P. Noon and D. Dalal, "Practical design issues for PFC circuits," in *Proc. IEEE APEC'97*, 1997, pp. 51–58.
- [89] X. Zhou, M. Elmore, and F. C. Lee, "Comparison of high-frequency application of silicon rectifiers, GaAs rectifier, and ZVT technology in a PFC boost converter," in *Proc. IEEE PESC'97*, 1997, pp. 8–13.
- [90] F. C. Merfert, "Analysis and application of a new control method for continuous-mode boost converters in power factor correction circuits," in *Proc. IEEE PESC'97*, 1997, pp. 96–102.
- [91] A. Canesin and I. Barbi, "A novel single-phase ZCS-PWM high power factor boost rectifier," in *Proc. IEEE PESC'97*, 1997, pp. 110–114.
- [92] M. Xu, Z. Qian, and X. He, "Comparison of single-phase active-clamped PFC converters," in *Proc. IEEE PESC'97*, 1997, pp. 115–120.
- [93] J. A. Corrêa Pinto, A. A. Pereira, V. J. Farias, L. C. de Freitas, and J. B. Vieira Jr, "A power factor correction preregulator ac-dc interleaved boost with soft-commutation," in *Proc. IEEE PESC'97*, 1997, pp. 121–125.
- [94] G. Venkataramanan, "A direct ac-dc converter for battery chargers," in *Proc. IEEE PESC'97*, 1997, pp. 126–130.
- [95] G. Hirachi, J. Yoshitsugu, K. Nishimura, A. Chibani, and M. Nakaoka, "Switched-mode PFC rectifier with high frequency transformer link for high-power density single phase UPS," in *Proc. IEEE PESC'97*, 1997, pp. 290–296.
- [96] R. Cáceres, N. Vázquez, C. Aguilar, J. Alvarez, I. Barbi, and J. Arau, "A high performance uninterruptible power supply system with power factor correction," in *Proc. IEEE PESC'97*, 1997, pp. 304–309.
- [97] C. H. Chan and M. H. Pong, "Input current analysis of interleaved boost converters operating in discontinuous-inductor-current mode," in *Proc. IEEE PESC'97*, 1997, pp. 392–398.
- [98] L. Wuidart, "Inherent high power factor topologies," in *Proc. IEEE PEDS'97*, 1997, pp. 24–28.
- [99] W. J. Ho, M. S. Lin, and W. S. Feng, "A new single-phase on-line UPS pre-staged with PFC and boost converter," in *Proc. IEEE PEDS'97*, 1997, pp. 133–138.
- [100] —, "Common-neutral-type AC/DC/AC topologies with PFC pre-regulator," in *Proc. IEEE PEDS'97*, 1997, pp. 53–58.
- [101] M. Butler, W. G. Hurley, and W. Wölfle, "Active power factor correction of a single stage ac-dc converter with reactive power control," in *Proc. EPE'97*, vol. 1, 1997, pp. 176–181.
- [102] W. Abramovitz and S. Ben-Yaakov, "Simplified static and dynamic model of the 3-loop active power factor correction systems," in *Proc. EPE'97*, vol. 1, 1997, pp. 354–359.
- [103] T. Suntio, S. Suur-Askola, and T. Laurinen, "Boost converter as a medium for adaptive shut down control," in *Proc. EPE'97*, vol. 2, 1997, pp. 226–230.
- [104] M. Ohshima and E. Masada, "A novel digital control scheme for a sinusoidal input single phase rectifier," in *Proc. EPE'97*, vol. 2, 1997, pp. 231–237.
- [105] J.-M. Meyer and R. Rifer, "A single-phase rectifier with reduced current ripple and power factor correction," in *Proc. EPE'97*, vol. 2, 1997, pp. 876–880.
- [106] L. Latkovskis and J. Stabulnieks, "Capacitor current and voltage ripple reduction in ac/dc converters with power factor correction," in *Proc. EPE'97*, vol. 2, 1997, pp. 887–892.
- [107] L. Wuidart, "Alternative approaches to improve power factor," in *Proc. EPE'97*, vol. 2, 1997, pp. 911–917.
- [108] E. Dallago, G. Sassone, and M. Storti, "Power factor corrector with a multiplier control stage based on the delta-sigma technique," in *Proc. EPE'97*, vol. 2, 1997, pp. 918–922.
- [109] R. Tóffano Jr, C. H. G. Treviso, V. J. Farias, J. B. Vieira Jr, and L. C. De Freitas, "A self-resonant-PWM boost converter with unity power factor operation by using a bang-bang current control strategy with fixed switching frequency," in *Proc. EPE'97*, vol. 4, 1997, pp. 454–458.

- [110] R. O. Brioschi, M. M. Lamego, and J. L. F. Vieira, "Constant dc link voltage HPF electronic ballast," in *Conf. Rec. IEEE-IAS Annu. Meeting*, 1997, pp. 2353–2359.
- [111] R. N. do Prado, S. A. Bonaldo, D. S. Greff, and F. E. Bisogno, "A unity power factor electronic ballast for fluorescent lighting," in *Conf. Rec. IEEE-IAS Annu. Meeting*, 1997, pp. 2366–2371.
- [112] D. Simonetti and E. Pascual, "A representative small-signal model for the single-phase discontinuous boost PFP," in *Proc. IEEE IECON'97*, 1997, pp. 862–865.
- [113] Z. Lai, K. M. Smedley, and Y. Ma, "Time quantity one-cycle control for power-factor correctors," *IEEE Trans. Power Electron.*, vol. 12, pp. 369–375, Mar. 1997.
- [114] M. M. Jovanović and D. E. Crow, "Merits and limitations of full-bridge rectifier with LC filter in meeting IEC 1000-3-2 harmonic-limit specifications," *IEEE Trans. Ind. Applicat.*, vol. 33, pp. 551–557, Mar./Apr. 1997.
- [115] G. Spiazzi and F. C. Lee, "Implementation of single-phase boost power-factor-correction circuits in three-phase applications," *IEEE Trans. Ind. Electron.*, vol. 44, pp. 365–371, June 1997.
- [116] S. Y. R. Hui, K. W. E. Cheng, and S. R. N. Prakash, "A fully soft-switched extended-period quasiresonant power-factor-correction circuit," *IEEE Trans. Power Electron.*, vol. 12, pp. 922–930, Sept. 1997.
- [117] S. Wall and R. Jackson, "Fast controller design for single-phase power-factor correction systems," *IEEE Trans. Ind. Electron.*, vol. 44, pp. 654–660, Oct. 1997.
- [118] J. Hwang and A. Chee, "Improving efficiency of a pre-/post-switching regulator (PFC/PWM) at light loads using green-mode function," in *Proc. IEEE APEC'98*, 1998, pp. 669–675.
- [119] R. Morrison and M. Egan, "A new single transformer, power factor corrected UPS design," in *Proc. IEEE APEC'98*, 1998.
- [120] C. M. da C. Duarte and I. Barbi, "A new ZVS-PWM active-clamping high power factor rectifier: Analysis, design and experimentation," in *Proc. IEEE APEC'98*, 1998, pp. 230–236.
- [121] I. Matsuura, K. M. Smith, and K. M. Smedley, "A comparison of active and passive soft switching methods for PWM converters," in *Proc. IEEE PESC'98*, 1998, pp. 94–100.
- [122] K. C. Lee and B. H. Cho, "Design of the feedback loop for single controller power factor correction converter," in *Proc. IEEE PESC'98*, 1998, pp. 899–904.
- [123] W. Chen and F. C. Lee, "Single magnetic, unity power factor, isolated power converter with ripple free input current," in *Proc. IEEE PESC'98*, 1998, pp. 1450–1455.
- [124] G. Chae, Y. S. Noon, and G. H. Cho, "High power factor correction circuit using valley charge-pumping for low cost electronic ballasts," in *Proc. IEEE PESC'98*, 1998, pp. 2003–2008.
- [125] N. P. Papanikolaou, N. P. Polyzos, and E. C. Tatakis, "Power factor correction in ac/dc converters: Design and measuring problems," in *Proc. IEEE ICHQP'98*, 1998, pp. 222–226.
- [126] Y. Jang, M. M. Jovanović, and C. C. Wen, "Design considerations and performance evaluation of a 3-kW, soft-switched boost converter with active snubber," in *Proc. IEEE INTELEC'98*, 1998, pp. 678–684.
- [127] Y. S. Sun, J. W. Lee, and A. Chu, "Computer-aided modeling of current loop for a boost derived power factor correction circuit," in *Proc. IEEE INTELEC'98*, 1998, pp. 316–320.
- [128] T. Suntio, "Novel approaches to ensure redundant rectifier system's reliability performance," in *Proc. IEEE INTELEC'98*, 1998, pp. 274–281.
- [129] L. Rossetto, S. Buso, and G. Spiazzi, "Conducted EMI issue in a boost PFC design," in *Proc. IEEE INTELEC'98*, 1998, pp. 188–195.
- [130] S. Roy, P. Got, and M. Ammari, "Stability considerations for a single phase generator-rectifier interface," in *Proc. IEEE INTELEC'98*, 1998, pp. 151–155.
- [131] S. M. Ulhaq, S. Shirakawa, M. Nakaoka, and H. Takano, "Computer-aided simulation of digitally-controlled active single phase PFC converter," in *Proc. IEEE PEVSD'98*, Sept. 1998, pp. 121–126.
- [132] H. Ganesh and B. Hesterman, "An electronic ballast with a novel low-cost power factor correction circuit," in *Conf. Rec. IEEE-IAS Annu. Meeting*, 1998, pp. 2025–2031.
- [133] P. N. Wood, "Flourescent ballast design using passive PFC and crest factor control," in *Conf. Rec. IEEE-IAS Annu. Meeting*, 1998, pp. 2076–2081.
- [134] P. Wallmeir, J. Richter, N. Frohliche, L. Langemeyer, and B. Margaritis, "A high efficiency single-phase power factor corrected switched mode rectifier," in *Proc. IEEE IECON'98*, 1998, pp. 679–684.
- [135] Z. Lai and K. M. Smedley, "A family of continuous-conduction-mode power-factor-correction controllers based on the general pulse-width modulator," *IEEE Trans. Power Electron.*, vol. 13, pp. 501–510, May 1998.
- [136] L. Huber and M. M. Jovanović, "Design-oriented analysis and performance evaluation of clamped-current-boost input-current shaper for universal-input-voltage range," *IEEE Trans. Power Electron.*, vol. 13, pp. 528–537, May 1998.
- [137] J. G. Cho, J. W. Baek, D. W. Yoo, and H. S. Lee, "Reduced conduction loss zero-voltage-transition power factor correction converter with low cost," *IEEE Trans. Ind. Electron.*, vol. 45, pp. 395–400, June 1998.
- [138] S. Ben-Yaakov and I. Zeltser, "PWM converters with resistive input," *IEEE Trans. Ind. Electron.*, vol. 45, pp. 519–520, June 1998.
- [139] T.-F.T.-Fu Wu, T.-W. Yu, and Y.-J. Wu, "A microprocessor-based toggle-control lighting system," *IEEE Trans. Ind. Electron.*, vol. 45, pp. 525–528, June 1998.
- [140] S. Buso, R. Mattavelli, L. Rossetto, and G. Spiazzi, "Simple digital control improving dynamic performance of power factor preregulators," *IEEE Trans. Power Electron.*, vol. 13, pp. 814–823, Sept. 1998.
- [141] R. Blundell, L. Kupka, and S. Spiteri, "AC-DC converter with unity power factor and minimum harmonic content of line current: Design considerations," *Proc. IEE—Elect. Power Applicat.*, vol. 145, pp. 553–558, Nov. 1998.
- [142] R. O. Brioschi and J. L. F. Vieira, "High-power-factor electronic ballast with constant DC-link voltage," *IEEE Trans. Power Electron.*, vol. 13, pp. 1030–1037, Nov. 1998.
- [143] V. Grigore, J. Kyra, and J. Rajamaki, "Input filter design for power factor correction converters operating in discontinuous conduction mode," in *Proc. IEEE Electromagnetic Compatibility'99*, 1999, pp. 145–150.
- [144] F. Tao, J. Qian, F. C. Lee, and N. Onishi, "A comparative study of a family of charge pump unity power factor correction electronic ballasts," in *Proc. IEEE APEC'99*, 1999, pp. 739–745.
- [145] T. F. Wu, Y. J. Wu, and Y. C. Liu, "Development of converters for improving efficiency and achieving both power factor correction and fast output regulation," in *Proc. IEEE APEC'99*, 1999, pp. 958–964.
- [146] J. Hwang and C. Hsu, "A new 8 pin power factor correction and pulse width modulator controller for off-line power supplies," in *Proc. IEEE APEC'99*, 1999, pp. 1143–1149.
- [147] H. S. H. Chung, P. W. Tam, and S. Y. R. Hui, "Development of fuzzy logic controller for boost rectifier with active power factor correction," in *Proc. IEEE PESC'99*, 1999, pp. 149–154.
- [148] R. Zane and D. Maksimovic, "A mixed-signal ASIC power-factor-correction (PFC) controller for high frequency switching rectifiers," in *Proc. IEEE PESC'99*, 1999, pp. 117–122.
- [149] J. R. Pinheiro, H. A. Grundling, D. L. R. Vidor, and J. E. Baggio, "Control strategy of an interleaved boost power factor correction converter," in *Proc. IEEE PESC'99*, 1999, pp. 137–142.
- [150] J. C. L. Bunetel and M. Machmoum, "Control of boost unity power factor correction systems," in *Proc. IEEE IECON'99*, 1999, pp. 266–271.
- [151] S. Luo, H. Wei, G. Zhu, and I. Batarseh, "Several schemes of alleviating bus voltage stress in single stage power factor correction converters," in *Proc. IEEE PEDS'99*, 1999, pp. 921–926.
- [152] H. A. C. Braga and I. Barbi, "A 3-kW unity power-factor rectifier based on a two-cell boost converter using a new parallel-connection technique," *IEEE Trans. Power Electron.*, vol. 14, pp. 209–217, Jan. 1999.
- [153] M. Dawande and G. K. Dubey, "Bang-bang current control with pre-decided switching frequency for switch-mode rectifier," *IEEE Trans. Power Electron.*, vol. 14, pp. 61–66, Feb. 1999.
- [154] F. de Souza and I. Barbi, "A new ZVS semiresonant high power factor rectifier with reduced conduction losses," *IEEE Trans. Ind. Electron.*, vol. 46, pp. 82–90, Feb. 1999.
- [155] M. Hernando, J. Sebastián, P. J. Villegas, and S. Ollero, "Improving dynamic response of power-factor correctors by using series-switching postregulator," *IEEE Trans. Ind. Electron.*, vol. 46, pp. 563–568, June 1999.
- [156] S. Ben-Yaakov and I. Zeltser, "The dynamics of a PWM boost converter with resistive input," *IEEE Trans. Ind. Electron.*, vol. 46, pp. 613–619, June 1999.
- [157] J. Rajagopalan, F. C. Lee, and P. Nora, "A general technique for derivation of average current mode control laws for single-phase power-factor correction circuits without input voltage sensing," *IEEE Trans. Power Electron.*, vol. 14, pp. 663–672, July 1999.
- [158] T. F. Wu, T. H. Yu, and Y. C. Liu, "An alternative approach to synthesizing single-stage converters with power-factor correction feature," *IEEE Trans. Ind. Electron.*, vol. 46, pp. 734–748, Aug. 1999.
- [159] D. S. L. Simonetti, J. L. F. Vieira, and G. C. D. Sousa, "Modeling of the high-power-factor discontinuous boost rectifiers," *IEEE Trans. Ind. Electron.*, vol. 46, pp. 788–795, Aug. 1999.

- [160] J. Y. Lee, Y. M. Chang, and F. Y. Liu, "A new UPS topology employing a PFC boost rectifier cascaded high-frequency tri-pot converter," *IEEE Trans. Ind. Electron.*, vol. 46, pp. 803–813, Aug. 1999.
- [161] J. W. Lim and B. H. Kwon, "A power-factor controller for single-phase PWM rectifiers," *IEEE Trans. Ind. Electron.*, vol. 46, pp. 1035–1037, Oct. 1999.
- [162] J. Zhou, Z. Lu, Z. Lin, Y. Ren, Z. Qian, and Y. Wang, "A novel DSP controlled 2 kW PFC converter with a simple sampling algorithm," in *Proc. IEEE APEC'00*, 2000, pp. 434–437.
- [163] B. V. Borges and V. Anunciada, "A new single phase power factor corrector converter," in *Proc. IEEE APEC'00*, 2000, pp. 182–187.
- [164] S. Chattopadhyay, V. Ramanarayanan, and V. Jayashankar, "A predictive switching modulator for current mode control of high power-factor boost rectifier," in *Proc. IEEE PESC'00*, 2000, pp. 371–376.
- [165] O. Garcia, M. D. M. Avail, J. A. Cobos, J. Uceda, J. Gonzalez, and J. A. Navas, "Harmonic reducer converter," in *Proc. IEEE PESC'00*, 2000, pp. 583–587.
- [166] T. Takeshita, Y. Toyoda, and N. Matsui, "Harmonic suppression and DC voltage control of single-phase PFC converter," in *Proc. IEEE PESC'00*, 2000, pp. 571–576.
- [167] H. S. H. Chung, S. Y. R. Hui, and D. Y. Qiu, "Control of active power-factor corrector using a single current sensor," in *Proc. IEEE PESC'00*, 2000, pp. 577–582.
- [168] J. Sebastián, A. Fernandez, P. Hernando, and M. J. Prieto, "New topologies of active input current shaper to allow AC-to-DC converters to comply with the IEC-1000-3-2," in *Proc. IEEE PESC'00*, 2000, pp. 565–570.
- [169] L. Rossetto and S. Buso, "Single-phase ac/dc integrated PWM converter," in *Proc. IEEE INTELEC'00*, 2000, pp. 411–418.
- [170] L. Ping and K. Yong, "Design and performance of an AC/DC voltage source converter," in *Proc. IEEE INTELEC'00*, 2000, pp. 419–423.
- [171] G.-H. Han and B.-S. Ko, "All-digital logic control PWM/PFC for inverter system," in *Proc. IEEE ICDSC'00*, 2000, pp. 789–792.
- [172] V. N. Shet and V. P. Sunder Singh, "A novel power factor correction in phase controlled rectifier," in *Proc. IEEE ICHQP'00*, 2000, pp. 560–564.
- [173] J. Qian and F. C. Lee, "Charge pump power-factor-correction technologies—Part I: Concept and principle," *IEEE Trans. Power Electron.*, vol. 15, pp. 121–129, Jan. 2000.
- [174] L. Rossetto, G. Spiazzi, and P. Tenti, "Boost PFC with 100-Hz switching frequency providing output voltage stabilization and compliance with EMC standards," *IEEE Trans. Ind. Applicat.*, vol. 36, pp. 188–193, Jan./Feb. 2000.
- [175] D. Kim and B. K. Bose, "New ZCS turn-on and ZVS turn-off unity power factor PWM rectifier with reduced conduction loss and no auxiliary switches," *Proc. IEEE—Elect. Power Applicat.*, vol. 147, pp. 146–152, March 2000.
- [176] J.-H. Youm, H.-L. Do, and B.-H. Kwon, "A single-stage electronic ballast with high power factor," *IEEE Trans. Ind. Electron.*, vol. 47, pp. 716–718, June 2000.
- [177] P.-W. Lee, Y.-S. Lee, D. K. W. Cheng, and X.-C. Liu, "Steady-state analysis of an interleaved boost converter with coupled inductors," *IEEE Trans. Ind. Electron.*, vol. 47, pp. 787–795, Aug. 2000.
- [178] T. Yoshida, O. Shiizuka, and K. Ohniwa, "An improvement technique for the efficiency of high-frequency switch-mode rectifiers," *IEEE Trans. Power Electron.*, vol. 15, pp. 1118–1123, Nov. 2000.
- [179] S. C. Yip, H. S. H. Chung, and S. Y. R. Hui, "A unified control scheme for a bi-directional AC-DC converter with high power quality," in *Proc. IEEE APEC'01*, 2001, pp. 74–80.
- [180] J. Zhang, J. Shao, P. Xu, F. C. Lee, and M. M. Jovanović, "Evaluation of input current in the critical mode boost PFC converter for distributed power systems," in *Proc. IEEE APEC'01*, 2001, pp. 130–136.
- [181] S. Bibian and H. Jin, "Digital control with improved performance for boost power factor correction circuits," in *Proc. IEEE APEC'01*, 2001, pp. 137–143.
- [182] M. Fu and Q. Chen, "A DSP based controller for power factor correction (PFC) in a rectifier circuit," in *Proc. IEEE APEC'01*, 2001, pp. 144–149.
- [183] C. M. T. Cruz and I. Barbi, "Unit power factor active clamping single phase three level rectifier," in *Proc. IEEE APEC'01*, 2001, pp. 331–336.
- [184] J. H. Kim, D. Y. Lee, H. S. Choi, and B. H. Cho, "High performance boost PFP (power factor pre-regulator) with an improved ZVT(zero voltage transition) converter," in *Proc. IEEE APEC'01*, 2001, pp. 337–342.
- [185] J. Zhang, F. C. Lee, and M. M. Jovanović, "Design and evaluation of a 450 W single-stage power-factor-correction converter with universal-line input," in *Proc. IEEE APEC'01*, 2001, pp. 357–362.
- [186] M. Shen and Z. Qian, "A novel high efficiency single stage PFC converter with reduced voltage stress," in *Proc. IEEE APEC'01*, 2001, pp. 363–367.
- [187] R. N. D. Prado, A. R. Seidel, F. E. Bisogno, and T. B. Marchezan, "Comparisons among electronic ballasts topologies with high power factor," in *Proc. IEEE APEC'01*, 2001, pp. 651–657.
- [188] R. Teodorescu, S. B. Kjaer, S. M. Nielsen, F. Blaabjerg, and J. K. Pedersen, "Comparative analysis of three interleaved boost power factor corrected topologies in DCM," in *Proc. IEEE PESC'01*, 2001, pp. 3–7.
- [189] K. Rustom and I. Batarseh, "Soft-switching single-stage power factor correction converter," in *Proc. IEEE PESC'01*, 2001, pp. 314–320.
- [190] G. Escobar, A. M. Stanković, and D. J. Perreault, "Regulation and compensation of source harmonics for the boost converter-based power factor precompensator," in *Proc. IEEE PESC'01*, 2001, pp. 539–544.
- [191] Q. Zhao, F. Tao, P. Xu, J. Wei, and F. C. Lee, "Improving performance of continuous current mode boost converters for power factor correction," in *Proc. IEEE PESC'01*, 2001, pp. 642–647.
- [192] K. Shimizu and H. Matsuo, "Input current analysis of the modified half bridge inverter as electronic ballast for fluorescent lamps," in *Proc. IEEE PESC'01*, 2001, pp. 683–687.
- [193] R. K. Tripathi, S. P. Das, and G. K. Dubey, "High power low distortion switch mode rectifier," in *Proc. IEEE PESC'01*, 2001, pp. 701–706.
- [194] G. Spiazzi, E. da Silva Martins, and J. A. Pomilio, "A simple line-frequency commutation cell improving power factor and voltage regulation of rectifiers with passive L-C filter," in *Proc. IEEE PESC'01*, 2001, pp. 724–729.
- [195] S. B. Monge, C. Crebier, S. Ragon, E. Hertz, J. Wei, J. Zhang, D. Boroyevich, and Z. Gürdal, "Optimization techniques applied to the design of a boost power factor correction converter," in *Proc. IEEE PESC'01*, 2001, pp. 920–925.
- [196] O. López, L. G. de Vicuña, and M. Castilla, "Sliding mode control design of a boost high-power-factor pre-regulator based on the quasisteady-state approach," in *Proc. IEEE PESC'01*, 2001, pp. 932–935.
- [197] D. Xu and F. C. Lee, "Two-lower-switch PFC converter with active snubber," in *Proc. IEEE PESC'01*, 2001, pp. 942–946.
- [198] S. K. Mazumder, A. H. Nayfeh, and D. Boroyevich, "A novel approach to the stability analysis of boost power-factor-correction circuits," in *Proc. IEEE PESC'01*, 2001, pp. 1719–1724.
- [199] J. Zhang, J. Shao, L. Huber, M. M. Jovanović, and F. C. Lee, "Single-stage input-current-shaping technique with voltage-doubler-rectifier front end," *IEEE Trans. Power Electron.*, vol. 16, pp. 55–63, Jan. 2001.
- [200] H.-L. Do, K.-W. Seok, and B.-H. Kwon, "Single-stage electronic ballast with unity power factor," *Proc. IEEE—Elect. Power Applicat.*, vol. 148, pp. 171–176, Mar. 2001.
- [201] F. T. Wakabayashi, M. J. Bonato, and C. A. Canesin, "Novel high-power-factor ZCS-PWM preregulators," *IEEE Trans. Ind. Electron.*, vol. 48, pp. 322–333, Apr. 2001.
- [202] S. Y. R. Hui, L. M. Lee, H. S.-H. Chung, and Y. K. Ho, "An electronic ballast with wide dimming range, high PF, and low EMI," *IEEE Trans. Power Electron.*, vol. 15, pp. 465–472, May 2001.

#### • Bidirectional Boost Converters

- [203] T. Kataoka, K. Mizumachi, and S. Miyairi, "A pulsewidth controlled AC-to-DC converter to improve power factor and waveform of AC line current," *IEEE Trans. Ind. Applicat.*, vol. IA-15, pp. 670–675, Nov./Dec. 1979.
- [204] H. Kielgas and R. Nill, "Converter propulsion systems with three-phase induction motors for electric traction vehicles," *IEEE Trans. Ind. Applicat.*, vol. IA-16, pp. 222–233, Mar./Apr. 1980.
- [205] O. Stihl and B. T. Ooi, "A single-phase controlled-current PWM rectifier," *IEEE Trans. Power Electron.*, vol. 3, pp. 453–459, Oct. 1988.
- [206] T. Hashimoto and S. Sone, "PWM converter-inverter system for AC supplied train," in *Proc. MLRE'89*, 1989, pp. 93–97.
- [207] S. Ujiie, S. Tanaka, E. Takahara, and A. Miyazaki, "Development of a pulse power converter with a DSP instantaneous current control," in *Proc. IEEE IECON'89*, 1989, pp. 143–148.
- [208] J. T. Boys and A. W. Green, "Current-forced single-phase reversible rectifier," *Proc. Inst. Elect. Eng.*, vol. 136, pp. 205–211, Sept. 1989.
- [209] M. Liaw, T. H. Chen, T. C. Wang, G. J. Cho, C. M. Lee, and C. T. Wang, "Design and implementation of a single phase current—forced switching mode bilateral," *Proc. Inst. Elect. Eng.*, pt. B, vol. 138, no. 3, pp. 129–136, May 1991.
- [210] K. Thiyagarajah, V. T. Ranganathan, and B. S. Ramakrishna Iyengar, "A high switching frequency IGBT PWM rectifier/inverter system," *IEEE Trans. Power Electron.*, vol. 6, pp. 576–584, Oct. 1991.
- [211] V. R. Kanetkar and G. K. Dubey, "Economical single phase current controlled unipolar and bi-directional voltage source converters," in *Proc. IEEE PESC'93*, 1993, pp. 862–867.

- [212] H. S. Kim, G. H. Choe, G. J. Yu, and J. S. Song, "Analysis of bi-directional PWM converter for application of residential solar air conditioning system," in *Proc. IEEE WCPEC'1994*, pp. 1069–1072.
- [213] O. Miyashita, Y. Nishida, T. Ohnuki, E. Ohtsuji, and T. Haneyoshi, "High power factor PWM rectifier with analog pulse-width predictor," in *Proc. IEEE APEC'94*, 1994, pp. 563–568.
- [214] T. Shimizu, T. Fujita, G. Kimura, and J. Hirose, "Unity-power-factor PWM rectifier with DC ripple compensation," in *Proc. IEEE IECON'94*, 1994, pp. 657–662.
- [215] J. Chen and D. M. Divan, "Simple topologies for single phase AC line conditioning," *IEEE Trans. Ind. Applicat.*, vol. 30, pp. 406–412, Mar./Apr. 1994.
- [216] S. N. Manias, G. Kostakis, and A. Kandianis, "Novel boost converter topologies with zero switching losses for DC-DC and AC-DC applications," in *Proc. IEEE PESC'95*, 1995, pp. 707–713.
- [217] G. V. Covic, G. L. Peters, and J. T. Boys, "An improved single phase to three phase converter for low cost AC motor drives," in *Proc. IEEE PEDS'95*, 1995, pp. 549–554.
- [218] M. Y. Chang, J. Y. Lin, and Y. Y. Tzou, "DSP based fully digital control of a AC/DC converter with a nonlinear digital current mode control," in *Proc. IEEE PESC'96*, 1996, pp. 1702–1708.
- [219] T. Ohnuki, O. Miyashita, T. Haneyoshi, and T. Ohnuki, "High power factor PWM rectifier with analog pulse-width predictor," *IEEE Trans. Power Electron.*, vol. 11, pp. 460–465, May 1996.
- [220] W. J. Ho and M. S. Lin, "Optimising single-phase PFC pre-staged AC/DC/AC topology via common-neutral connection," *Electron. Lett.*, vol. 32, pp. 1529–1530, Aug. 1996.
- [221] F. Flinders and W. Oghanna, "Simulation of a complex traction PWM rectifier using SIMULINK and the dynamic node technique," in *Proc. IEEE IECON'97*, 1997, pp. 738–743.
- [222] W. Ando, I. Takahashi, Y. Tanaka, and M. Ikehara, "Development of a high efficiency UPS having active filter ability composed of a three arms bridge," in *Proc. IEEE IECON'97*, 1997, pp. 804–809.
- [223] M. G. Kim, W. C. Lee, and D. S. Hyun, "Instantaneous control of a single-phase PWM converter considering the variation of observer parameter," in *Proc. IEEE IECON'97*, 1997, pp. 839–844.
- [224] M. Wang and G. C. Hsieh, "Full-wave boost rectifier by ZCS-PWM control with reduced conduction losses," in *Proc. IEEE IECON'97*, 1997, pp. 856–861.
- [225] G. C. Flinders and W. Oghanna, "The characteristics of a new model based controller for single-phase PWM rectifier," in *Proc. IEEE IECON'97*, 1997, pp. 895–900.
- [226] W. J. Ho, J. B. Lio, and W. S. Feng, "A line-interactive UPS structure with built-in vector-controlled charger and PFC," in *Proc. IEEE PEDS'97*, 1997, pp. 127–132.
- [227] D. Maischak, "A novel control strategy for IGBT-four-quadrant converters," in *Proc. EPE'97*, 1997, pp. 3.179–3.183.
- [228] W. Runge, "Control of line harmonics due to four-quadrant-converter in AC tractive stock by means of filter and transformer," in *Proc. EPE'97*, 1997, pp. 3.459–3.464.
- [229] B. Dobrucky, J. Kyyra, V. Racek, M. Hukel, and J. Dubovsky, "Improvement of performance of four quadrant converter using unidirectional DC link inductor," in *Proc. EPE'97*, 1997, pp. 3.465–4.469.
- [230] S. Pirog, "PWM rectifier and active filter with sliding mode control," in *Proc. EPE'97*, 1997, pp. 3.831–3.836.
- [231] V. R. Kanetkar and G. K. Dubey, "Current controlled boost-type single-phase voltage source converters for bi-directional power flow," *IEEE Trans. Power Electron.*, vol. 12, pp. 269–277, Mar. 1997.
- [232] —, "Series equivalence/operation of current-controlled boost-type single-phase voltage source converters for bi-directional power flow," *IEEE Trans. Power Electron.*, vol. 12, pp. 278–286, Mar. 1997.
- [233] Y. Nishida, O. Miyashita, T. Haneyoshi, H. Tomita, and A. Maeda, "A predictive instantaneous-current PWM controlled rectifier with AC-side harmonic current reduction," *IEEE Trans. Ind. Electron.*, vol. 44, pp. 337–343, June 1997.
- [234] J. Carter, C. J. Goodman, and H. Zelaya, "Analysis of the single-phase four-quadrant PWM converter resulting in steady-state and small-signal dynamic models," *Proc. IEEE—Elect. Power Applicat.*, vol. 144, no. 4, pp. 241–247, July 1997.
- [235] N. Hirao, T. Satonaga, T. Uematsu, T. Kohama, T. Ninomiya, and M. Shyama, "Analytical considerations on power loss in a three-arm-type uninterruptible power supply," in *Proc. IEEE PESC'98*, 1998, pp. 1886–1891.
- [236] D. Shmilovitz, D. Czarkowski, Z. Zabar, and S. Y. Yoo, "A novel single-stage unity power factor rectifier/inverter for UPS applications," in *Proc. IEEE INTELEC'98*, 1998, pp. 762–769.
- [237] R. Srinivasan and R. Oruganti, "A unity power factor converter using half-bridge boost topology," *IEEE Trans. Power Electron.*, vol. 13, pp. 487–500, June 1997.
- [238] D. Shmilovitz, D. Czarkowski, Z. Zabar, and S. Zou, "A novel reversible boost rectifier with unity power factor," in *Proc. IEEE APEC'99*, 1999, pp. 363–368.
- [239] B. R. Lin and H. H. Lu, "Implementation of nondeterministic PWM for inverter drives," in *Proc. IEEE ISIE'99*, 1999, pp. 813–818.
- [240] T. Shimizu, Y. Jin, and G. Kimura, "DC ripple current reduction on a single-phase PWM voltage source rectifier," in *Conf. Rec. IEEE-IAS Annu. Meeting*, 1999, pp. 810–817.
- [241] D. Shmilovitz, D. Czarkowski, Z. Zabar, and S. Zou, "A simplified controller for a half-bridge boost rectifier," in *Proc. IEEE APEC'00*, 2000, pp. 452–455.
- [242] D. K. Jackson and S. B. Leeb, "A power factor corrector with bi-directional power transfer capability," in *Proc. IEEE PESC'00*, vol. I, 2000, pp. 365–370.
- [243] M. Ashari, C. Y. Nayar, and S. Islam, "An improved in-line uniteruptible power supply system," in *Proc. IEEE ICHQP'00*, 2000, pp. 548–553.
- [244] S. Kasikci, "A new method for power factor correction and harmonic elimination in power systems," in *Proc. IEEE ICHQP'00*, 2000, pp. 810–815.
- [245] M. Ohshima and E. Masada, "The P, Q controllable domain of a single phase PWM converter to preserve sinusoidal AC current waveform," *IEEE Trans. Power Electron.*, vol. 15, pp. 485–494, May 2000.
- [246] S. J. Chiang, "Design and implementation of a single phase three-arms rectifier inverter," *Proc. IEEE—Elect. Power Applicat.*, vol. 147, no. 5, pp. 379–384, Sept. 2000.
- [247] Y. K. Lo, H. J. Chiu, and S. Y. Ou, "Constant-switching-frequency control of switch-mode rectifiers without current sensors," *IEEE Trans. Ind. Electron.*, vol. 47, pp. 1172–1174, Oct. 2000.
- [248] —, "Dual hysteresis loops for a high-performance four-switch boost rectifier," *IEEE Trans. Ind. Electron.*, vol. 47, pp. 1174–1176, Oct. 2000.
- [249] H. J. Ryo, J. S. Kim, G. H. Rim, Y. J. Kim, M. H. Woo, and C. Y. Won, "Unit power factor operation of parallel operated AC to DC PWM converter for high power traction application," in *Proc. IEEE PESC'01*, 2001, pp. 631–636.
- [250] J. Su, D. J. Adams, and L. M. Tolbert, "Comparative study of power factor correction converters for single-phase half-bridge inverters," in *Proc. IEEE PESC'01*, 2001, pp. 995–1000.

#### ● Unidirectional Buck Converters

- [251] S. K. Tso and C. S. Chan, "A low-cost micro controller-based AC/DC converter with improved power factor," in *Proc. IEEE IECON'88*, vol. 3, 1988, pp. 848–852.
- [252] R. J. King, "Analysis and design of an unusual unity-power-factor rectifier," *IEEE Trans. Ind. Electron.*, vol. 38, pp. 126–134, Apr. 1991.
- [253] H. Endo, T. Yamashita, and T. Sugiura, "A high power-factor buck converter," in *Proc. IEEE PESC'92*, 1992, pp. 1071–1076.
- [254] J. Kunze, U. V. D. Ahe, N. Frohliche, H. Grotstollen, and B. Margarritis, "Aspects on optimum design of the series-parallel resonant converter operated in different high power factor modes," in *Proc. HFPC'92*, 1992, pp. 434–446.
- [255] S. A. Streng and R. J. King, "Ripple feedback for the resonant-filter unity-power-factor rectifier," *IEEE Trans. Power Electron.*, vol. 7, pp. 453–461, July 1992.
- [256] D. Casini and G. Marola, "A quasi optimal technique for the on-line control of AC/DC and DC/AC PWM converter," in *Proc. IEEE IECON'94*, 1994, pp. 97–101.
- [257] L. C. D. Freitas, A. A. Pereira, and J. L. Andrea, "A high power factor operating self-resonant-PWM forward converter," in *Proc. IEEE APEC'95*, 1995, pp. 440–446.
- [258] M. Brkovic and S. Cuk, "A novel single-stage AC-to-DC full bridge converter with magnetic amplifiers for input current shaping," in *Proc. IEEE PESC'95*, 1995, pp. 990–995.
- [259] M. C. Ghanam, K. Al-Haddad, and G. Roy, "Soft commutated unity power factor boost assisted parallel resonant converter (UPFBPRC)," in *Proc. IEEE IECON'95*, 1995, pp. 265–270.
- [260] A. Pereira, J. B. Vieira Jr., and L. C. D. Freitas, "A lossless switching forward converter with unity power factor operation," in *Proc. IEEE IECON'95*, 1995, pp. 329–334.
- [261] J. Hong, D. Maksimovic, R. W. Erickson, and I. Khan, "Half-cycle control of the parallel resonant converter operated as a high power rectifier," *IEEE Trans. Power Electron.*, vol. 10, pp. 1–8, Jan. 1995.
- [262] Y. W. Lo and R. J. King, "High performance ripple feedback for the buck unity-power-factor rectifier," *IEEE Trans. Power Electron.*, vol. 10, pp. 158–163, Mar. 1995.

- [263] G. Marola, "A quasi optimal on-line control of AC/DC PWM converters," *IEEE Trans. Power Electron.*, vol. 10, pp. 185–195, Mar. 1995.
- [264] H. Y. Wu, X. M. Yuan, J. F. Zhang, and W. X. Lin, "Novel single phase current source buck PFC with delta modulation control strategy," in *Proc. IEE PEVSD '96*, 1996, pp. 138–143.
- [265] P. J. Villegas, J. Sebastian, M. M. Hernando, and E. Nuno, "Average current mode control of two-input buck post-regulators used in power factor correctors," in *Proc. IEEE PESC '97*, 1997, pp. 89–95.
- [266] H. Pinheiro, P. Jain, and G. Joos, "A new AC power supply based on series-parallel resonant converter," in *Proc. IEEE PESC '97*, 1997, pp. 310–316.
- [267] H. Benqassmi, J. P. Ferrieux, and J. Barbaroux, "Current-source resonant converter in power factor correction," in *Proc. IEEE PESC '97*, 1997, pp. 378–384.
- [268] G. Bianchin and J. A. Pomilio, "Power factor regulators for heating applications," in *Proc. IEEE PESC '97*, 1997, pp. 509–515.
- [269] L. Huber and M. M. Jovanovic, "Design optimization of single-stage, single-switch input current shapers," in *Proc. IEEE PESC '97*, 1997, pp. 519–526.
- [270] M. Nagao, "One stage forward-type power factor correction circuit," in *Proc. IEEE PESC '97*, 1997, pp. 543–549.
- [271] R. Srinivasan, M. Palaniapan, and R. Oruganti, "A single phase two-switch buck type AC-DC converter topology with inductor voltage control," in *Proc. IEEE PESC '97*, 1997, pp. 556–563.
- [272] G. Spiazzi, "Analysis of buck converters used as power factor preregulators," in *Proc. IEEE PESC '97*, 1997, pp. 564–570.
- [273] H. Pinheiro, P. Jain, and G. Joos, "Performance characterization of two self-oscillating controllers for parallel resonant converters operating with unity input power factor," in *Proc. IEEE PESC '97*, 1997, pp. 692–698.
- [274] H. Benqassmi, J. P. Ferrieux, and B. Chauchat, "Investigation on power factor correction of current-source resonant converter with two energy storage elements," in *Proc. EPE '97*, 1997, pp. 1.476–1.481.
- [275] K. Hirachi, J. Yoshitsugu, T. Iseki, Y. Arai, and M. Nakaoka, "A feasible high-performance single-phase UPS incorporating switched mode rectifier with high-frequency transformer link," in *Proc. EPE '97*, 1997, pp. 2.131–2.137.
- [276] M. Lopez, L. G. D. Vicuna, M. Castilla, and J. Matas, "A AC-DC converter with high-quality waveforms and very low switching losses," in *Proc. EPE '97*, 1997, pp. 2.220–2.225.
- [277] S. P. Wang and M. Nakaoka, "Soft-switched PWM high-frequency load-resonant inverter with power factor correction for induction heating cooking appliance," in *Proc. EPE '97*, 1997, pp. 2.244–2.249.
- [278] K. Taniguchi, T. Morizane, N. Kimura, and H. W. Lee, "A high-power-factor buck converter with soft-switching operation," in *Proc. EPE '97*, 1997, pp. 4.403–4.408.
- [279] P. K. Jain and M. C. Tanju, "A unity power factor resonant AC/DC converter for high frequency space power distribution systems," *IEEE Trans. Power Electron.*, vol. 12, pp. 325–331, Mar. 1997.
- [280] Y. S. Lee, S. J. Wang, and S. Y. R. Hui, "Modeling, analysis, and application of buck converters in discontinuous-input-voltage mode operation," *IEEE Trans. Power Electron.*, vol. 12, pp. 350–360, Mar. 1997.
- [281] A. Ayres and I. Barbi, "A family of converters for UPS production burn-in energy recovery," *IEEE Trans. Power Electron.*, vol. 12, pp. 615–622, July 1997.
- [282] N. O. Sokal, K. K. Sum, and D. C. Hamill, "A capacitor-fed, voltage-step-down, single-phase, nonisolated rectifier," in *Proc. IEEE APEC '98*, 1998, pp. 208–215.
- [283] R. Morrison and M. Egan, "A new single transformer, power factor corrected UPS design," in *Proc. IEEE APEC '98*, 1998, pp. 237–243.
- [284] D. Gerlando and I. Vistoli, "Distortion problems and design solutions of converter fed single-phase permanent magnet motors for small power applications," in *Proc. IEEE ICHQP '98*, 1998, pp. 712–719.
- [285] J. Qian, F. C. Lee, and T. Yamauchi, "Current-source charge-pump power-factor-correction electronic ballast," *IEEE Trans. Power Electron.*, vol. 13, pp. 564–572, May 1998.
- [286] J. Qian and F. C. Lee, "A high-efficiency single-stage single-switch high-power-factor AC/DC converter with universal input," *IEEE Trans. Power Electron.*, vol. 13, pp. 699–705, July 1998.
- [287] J. Sebastian, P. J. Villegas, F. Nuno, and M. M. Hernando, "High-efficiency and wide-bandwidth performance obtainable from a two-input buck converter," *IEEE Trans. Power Electron.*, vol. 13, pp. 706–717, July 1998.
- [288] M. A. D. Rooij, J. A. Ferreira, and J. D. V. Wyk, "A novel unity power factor low-EMI uninterruptible power supply," *IEEE Trans. Ind. Applicat.*, vol. 34, pp. 870–877, July/Aug. 1998.
- [289] V. Belaguli and A. K. S. Bhat, "Operation of the LCC-type parallel resonant converter as a low harmonic rectifier," *IEEE Trans. Ind. Electron.*, vol. 46, pp. 288–299, Apr. 1999.
- [290] J. Sebastian, P. J. Villegas, M. M. Hernando, F. Nuno, and F. F. Lindera, "Average-current-mode control of two-input buck postregulators used in power-factor correctors," *IEEE Trans. Ind. Electron.*, vol. 46, pp. 569–576, June 1999.
- [291] H. Pinheiro, P. Jain, and G. Joos, "Self-oscillating resonant AC/DC converter topology for input power-factor correction," *IEEE Trans. Ind. Electron.*, vol. 46, pp. 692–702, Aug. 1999.
- [292] R. Ito, K. Ishizaka, H. Oishi, and H. Okada, "Single-phase buck rectifier employing voltage reversal circuit for sinusoidal input current waveshaping," *Proc. IEE—Elect. Power Applicat.*, vol. 146, pp. 707–712, Nov. 1999.
- [293] V. Grigore and J. Kyyra, "A step-down converter with low ripple input current for power factor correction," in *Proc. IEEE APEC '00*, 2000, pp. 188–194.
- [294] O. Sullivan, M. Willers, M. G. Egan, J. G. Hayes, P. T. Nguyen, and C. P. Henze, "Power-factor-corrected single-stage inductive charger for electric vehicle batteries," in *Proc. IEEE PESC '00*, 2000, pp. 509–516.
- [295] C. P. Agustoni, M. Brenna, R. Faranda, E. Tironi, and G. Ubezio, "AC/DC unit power factor converter with a high-frequency transformer: Analysis of operation," in *Proc. IEEE ICHQP '00*, 2000, pp. 110–115.
- [296] H. Benqassmi, J.-C. Crebier, and J.-P. Ferrieux, "Comparison between current-driven resonant converters used for single-stage isolated power-factor correction," *IEEE Trans. Ind. Electron.*, vol. 47, pp. 518–524, June 2000.
- [297] J. Ribas, J. M. Alonso, A. J. Calleja, E. L. Corominus, J. Cardesin, and M. R. Secades, "A new discharge lamp ballast based on a self-oscillating full-bridge inverter integrated with a buck-type PFC circuit," in *Proc. IEEE APEC '01*, 2001, pp. 688–694.
- [298] M. R. Ferreres, J. Cardesin, P. J. Villegas, A. Fernandez, and M. M. Hernando, "Universal input voltage AC/DC converter with low output voltage and compliance with IEC-1000-3-2," in *Proc. IEEE PESC '01*, 2001, pp. 678–682.
- [299] H. M. Xu, X. B. Ruan, and Y. G. Yan, "A novel forward single-stage single-switch power factor correction AC/DC converter," in *Proc. IEEE PESC '01*, 2001, pp. 754–759.
- [300] Y. G. Chakraborty and M. Ishida, "Low-harmonic resonant CLL-type AC/DC converter," *Proc. IEE—Elect. Power Applicat.*, vol. 148, no. 2, pp. 187–192, Mar. 2001.

#### • Bidirectional Buck Converters

- [301] S. Z. Dai, N. Lujara, and B. T. Ooi, "A unity power factor current regulated SPWM rectifier with a notch feedback for stabilization and active filtering," *IEEE Trans. Power Electron.*, vol. 7, pp. 356–363, Apr. 1992.
- [302] S. Nonaka and Y. Neba, "Single-phase PWM current source converter with double-frequency parallel resonance circuit for DC smoothing," in *Conf. Rec. IEEE-IAS Annu. Meeting*, 1993, pp. 1144–1151.
- [303] F. Flinders, R. Mathew, and W. Oghanna, "Energy savings through regenerative braking using retrofit converters," in *Proc. IEEE Rail Road Conf. '95*, 1995, pp. 55–61.
- [304] F. Flinders and W. Oghanna, "Energy efficiency improvements to electric locomotives using PWM rectifier technology," in *Proc. IEE ERUE '95*, 1995, pp. 106–110.
- [305] F. F. Zapata, L. D. Salazar, and J. R. Espinoza, "Analysis and design of a single-phase PWM current source rectifier with neutral leg," in *Proc. IEEE IECON '98*, 1998, pp. 519–524.
- [306] R. Oruganti and M. Palaniapan, "Inductor voltage control of buck-type single-phase AC-DC converter," *IEEE Trans. Power Electron.*, vol. 15, pp. 411–417, Mar. 2000.

#### • Unidirectional Buck–Boost Converters

- [307] S. Manias, P. D. Ziogas, and G. Oliver, "An ac-to-dc converter with improved input power factor and high power density," *IEEE Trans. Ind. Applicat.*, vol. 22, pp. 1073–1081, Nov./Dec. 1986.
- [308] S. Manias and P. D. Ziogas, "An SMR topology with suppressed dc link components and predictive line current waveshaping," *IEEE Trans. Ind. Applicat.*, vol. 23, pp. 644–653, July/Aug. 1987.
- [309] P. D. Chibani and M. Nakaoka, "New sinusoidal line-current PWM control-based HF link converter for UPS equipment," in *Proc. EPE '89*, 1989, pp. 1115–1120.
- [310] R. A. Langley, J. D. V. Wyk, and J. J. Schoeman, "A high technology battery charging system for railway signaling applications," in *Proc. EPE '89*, 1989, pp. 1433–1437.
- [311] M. H. Kheraluwala, R. L. Steigerwald, and R. Gurumoorthy, "A fast-response high power factor converter with a single power stage," in *Proc. IEEE PESC '91*, 1991, pp. 769–779.



- [312] J. Sebastián, J. Uceda, J. A. Cobos, J. Arau, and F. Aldana, "Improving power factor correction in distributed power supply system using PWM and ZCS-QR SEPIC topologies," in *Proc. IEEE PESC'91*, 1991, pp. 780–791.
- [313] D. H. Braun, T. P. Gilmore, and W. A. Maslowski, "Regenerative converter for PWM ac drives," in *Conf. Rec. IEEE-IAS Annu. Meeting*, 1991, pp. 862–868.
- [314] S. Funabiki, N. Toita, and A. Mechi, "A single-phase PWM ac to dc converter with a step up/down and sinusoidal source current," in *Conf. Rec. IEEE-IAS Annu. Meeting*, 1991, pp. 1017–1022.
- [315] R. Itoh and K. Ishizaka, "Single-phase sinusoidal rectifier with step-up/down characteristics," *Proc. Inst. Elect. Eng.*, pt. B, vol. 138, no. 6, pp. 338–344, Nov. 1991.
- [316] D. M. Divan, G. Venkataramanan, and C. Chen, "A unity power factor forward converter," in *Conf. Rec. IEEE-IAS Annu. Meeting*, 1992, pp. 666–672.
- [317] C. Takahashi and R. Y. Igarashi, "High power factor switching regulator with no rush current," in *Conf. Rec. IEEE-IAS Annu. Meeting*, 1992, pp. 673–680.
- [318] L. Malesani, L. Rossetto, G. Spiazzi, and P. Tenti, "High efficiency electronic lamp ballast with unity power factor," in *Conf. Rec. IEEE-IAS Annu. Meeting*, 1992, pp. 681–688.
- [319] D. S. L. Simonetti, J. Sebastián, F. S. dos Reis, and J. Uceda, "Design criteria for Sepic and Cuk converters as power factor preregulators in discontinuous conduction mode," in *Proc. IEEE IECON'92*, 1992, pp. 283–288.
- [320] J. G. Cho and G. H. Cho, "Novel off-line zero-voltage-switching PWM ac/dc converter for direct conversion from ac line to 48 V dc bus with power factor correction," in *Proc. IEEE PESC'93*, 1993, pp. 689–695.
- [321] K. W. Klontz, A. Esser, P. J. Wolfs, and D. M. Divan, "Converter selection for electric vehicle charger systems with a high-frequency high-power link," in *Proc. IEEE PESC'93*, 1993, pp. 855–861.
- [322] M. H. Kheraluwala and R. W. De Doncker, "Single phase unity power factor control for dual active bridge converter," in *Conf. Rec. IEEE-IAS Annu. Meeting*, 1993, pp. 909–916.
- [323] M. C. Ghanem, K. Al-Haddad, and G. Roy, "Unity power factor scheme using cascade converters," in *Proc. IEEE IECON'93*, 1993, pp. 936–941.
- [324] G.-C. Hsieh, J.-F. Tsai, M.-F.M.-Fu Lai, and J.-C. Li, "Design of power factor corrector for the off-line isolated buck/boost converter by a voltage-follower technique," in *Proc. IEEE IECON'93*, 1993, pp. 959–964.
- [325] F. S. Dos Reis, J. Sebastián, and J. Uceda, "Characterization of conducted noise generation for Sepic, Cuk and boost converters working as power factor preregulators," in *Proc. IEEE IECON'93*, 1993, pp. 965–970.
- [326] J. Mechi and S. Funabiki, "Step-up/down voltage PWM ac to dc converter with one switching device," *Proc. Inst. Elect. Eng.*, pt. B, vol. 140, no. 1, pp. 35–43, January 1993.
- [327] T. Pan and T. C. Chen, "Modeling and design of an AC to DC converter," *IEEE Trans. Power Electron.*, vol. 8, pp. 501–508, Oct. 1993.
- [328] S. Scott Deuty, "Flyback converter provides 12 VDC battery charger rail from US or European ac or 400 VDC power factor correction input," in *Proc. PCIM'94*, 1994, pp. 99–111.
- [329] J. Hall and E. Tisinger, "A new very high voltage SMARTMOS IC combines power factor control with international off-line startup," in *Proc. PCIM'94*, 1994, pp. 316–324.
- [330] W. Lee, "A three-phase output active online UPS with power factor correction and low harmonic distortion," in *Proc. PCIM'94*, 1994, pp. 332–342.
- [331] J. Sebastián, J. A. Martínez, J. M. Alonso, and J. A. Cobos, "Analysis of the zero-current-switched quasiresonant flyback, Sepic and Cuk used as power factor preregulators with voltage-follower control," in *Proc. IEEE IECON'94*, 1994, pp. 141–146.
- [332] J. A. Pamilio and G. Spiazzi, "Soft-commutated Cuk and Sepic converters as power factor preregulators," in *Proc. IEEE IECON'94*, 1994, pp. 256–261.
- [333] P. Praveen Jain, J. Valerio, and P. Pankaj Jain, "A review of single-phase power factor correction circuits for telecommunication applications," in *Proc. IEEE INTELEC'94*, 1994, pp. 334–338.
- [334] L. Rossetto, G. Spiazzi, P. Tenti, B. Fabiano, and C. Licitra, "Fast-response high-quality rectifier with sliding mode control," *IEEE Trans. Power Electron.*, vol. 9, pp. 146–152, Mar. 1994.
- [335] J. C. Salmon, "Performance of a 1-phase buck-boost rectifier using two coupled windings and a split dc-rail output voltage," in *Proc. IEEE APEC'95*, 1995, pp. 427–433.
- [336] M. Brković and S. Čuk, "Novel single stage ac-to-dc converters with magnetic amplifiers and high power factor," in *Proc. IEEE APEC'95*, 1995, pp. 447–453.
- [337] R. Redl and L. Balogh, "Design considerations for single-stage isolated power-factor-corrected power supplies with fast regulation of the output voltage," in *Proc. IEEE APEC'95*, 1995, pp. 454–458.
- [338] J. S. Glaser and A. F. Witulski, "Design issues for high power factor ac-dc converter systems," in *Proc. IEEE PESC'95*, 1995, pp. 542–548.
- [339] K. W. E. Cheng and S. Y. H. Hui, "Zero switching low output voltage power factor correction circuits," in *Proc. IEEE PESC'95*, 1995, pp. 920–925.
- [340] S. Y. H. Aguilar, F. Canales, J. Arau, J. Sebastián, and J. Uceda, "An improved battery charger/discharger topology with power factor correction," in *Proc. IEEE IECON'95*, 1995, pp. 590–595.
- [341] H. Oishi, H. Okada, K. Ishizaka, and R. Itoh, "Single-phase switch-mode rectifier employing voltage-reversal circuit switched with a fixed frequency," *Proc. IEE—Elect. Power Applicat.*, vol. 142, no. 2, pp. 145–160, March 1995.
- [342] G. W. Moon, Y. S. Jung, and M. J. Youn, "Switched sliding-mode control for ZCS series-resonant AC/DC converter," *Proc. IEE—Elect. Power Applicat.*, vol. 142, no. 5, pp. 297–307, Sept. 1995.
- [343] W. Sulistyono and P. Enjeti, "A series resonant AC-to-DC rectifier with high-frequency isolation," *IEEE Trans. Power Electron.*, vol. 10, pp. 784–790, Nov. 1995.
- [344] R. Zane and D. Maksimović, "Modeling of high-power-factor rectifiers based on switching converters with nonlinear-carrier control," in *Proc. IEEE PESC'96*, 1996, pp. 1105–1111.
- [345] M. C. Ghanem, K. Al-Haddad, and G. Roy, "A new control strategy to achieve sinusoidal line current in a cascade buck-boost converter," *IEEE Trans. Ind. Electron.*, vol. 43, pp. 441–449, June 1996.
- [346] K. Tse and M. H. L. Chow, "New single-stage power-factor-corrected regulators operating in discontinuous capacitor voltage mode," in *Proc. IEEE PESC'97*, 1997, pp. 371–377.
- [347] K. Schenk and S. Cuk, "A single-switch single-stage active power factor corrector with high quality input and output," in *Proc. IEEE PESC'97*, 1997, pp. 385–391.
- [348] P. Kornetzky, H. Wei, G. Zhu, and I. Batarseh, "A single-switch ac/dc converter with power factor correction," in *Proc. IEEE PESC'97*, 1997, pp. 527–535.
- [349] O. García, J. A. Cobos, P. Alou, R. Prieto, J. Uceda, and S. Ollero, "A new family of single stage ac/dc power factor correction converters with fast output voltage regulation," in *Proc. IEEE PESC'97*, 1997, pp. 536–542.
- [350] S. Rodríguez, F. Canales, P. Najera, and J. Arau, "A novel isolated high quality rectifier with fast dynamic output response," in *Proc. IEEE PESC'97*, 1997, pp. 550–555.
- [351] S. Kislovski, "Low-cost, low-power, buck-based input stages meeting the IEC 1000-3-2 line current-harmonics limits," in *Proc. EPE'97*, vol. 1, 1997, pp. 336–341.
- [352] M. A. E. Andersen, "Fast prediction of differential mode noise input filter requirements for flyback and boost unity power factor converters," in *Proc. EPE'97*, vol. 2, 1997, pp. 806–809.
- [353] H. Jorquera and D. Sadarnac, "A single-stage isolated unity power factor correction scheme with single output voltage control loop, automatic current shaping and fast output voltage regulation," in *Proc. EPE'97*, vol. 2, 1997, pp. 923–928.
- [354] M. M. Hernando, P. Villegas, J. Sebastián, and F. Nuño, "Using two-input buck post-regulator to obtain high quality flyback power factor correction," in *Proc. EPE'97*, vol. 2, 1997, pp. 946–951.
- [355] Y. Nishida, E. Hiraki, J. Yoshitsugu, and M. Nakaoka, "High-performance single-phase power factor correction converter using new pulse integral value-related modulation scheme and its practical evaluation," in *Proc. EPE'97*, vol. 3, 1997, pp. 256–263.
- [356] K. W. Siu and Y. S. Lee, "Novel fast-response ac-dc converter with regenerative circuit and high power factor," in *Proc. IEEE IECON'97*, vol. 2, 1997, pp. 770–773.
- [357] S. Dos Reis, F. Antunes, J. Sebastián, and J. Uceda, "PFP converters size evaluation," in *Proc. IEEE IECON'97*, vol. 2, 1997, pp. 866–871.
- [358] J. Oishi, H. Okada, K. Ishizaka, and R. Itoh, "Single-phase step-up/down rectifier with improved supply current waveform," *Proc. IEE—Elect. Power Applicat.*, vol. 144, no. 1, pp. 6–12, Jan. 1997.
- [359] R. Pollock and J. O. Flower, "New method of power control for series-parallel load-resonant converters maintaining zero-current switching and unity power factor operation," *IEEE Trans. Power Electron.*, vol. 12, pp. 103–115, Jan. 1997.

- [360] K. S. Bhat, "Operation of high-frequency resonant converters on the utility line with improved characteristics," *IEEE Trans. Power Electron.*, vol. 12, pp. 623–636, July 1997.
- [361] K. S. Aguilar, F. Canales, J. Arau, J. Sebastián, and J. Uceda, "An integrated battery charger/discharger with power-factor correction," *IEEE Trans. Ind. Electron.*, vol. 44, pp. 597–603, Oct. 1997.
- [362] T.-F. Wu and T.-H. Yu, "Off-line applications with single-stage converters," *IEEE Trans. Ind. Electron.*, vol. 44, pp. 638–647, Oct. 1997.
- [363] G. A. Karvelis and S. N. Manias, "Analysis and design of a flyback zero-current switched quasiresonant AC/DC converter," *Proc. IEE—Elect. Power Applicat.*, vol. 144, no. 6, pp. 401–408, Nov. 1997.
- [364] T.-F. Wu, T.-H. Yu, and Y.-C. Liu, "Principle of synthesizing single-stage converters for off-line applications," in *Proc. IEEE APEC'98*, 1998, pp. 427–433.
- [365] R. Venkatraman and M. Edmunds, "A soft-switching single-stage ac-to-dc converter with low harmonic distortion—analysis, design, simulation and experimental results," in *Proc. IEEE APEC'98*, 1998, pp. 662–668.
- [366] M. Sebastián, M. M. Hernando, P. Villegas, J. Díaz, and A. Fontán, "Input current shaper based on the series connection of a voltage source and a loss-free resistor," in *Proc. IEEE APEC'98*, 1998, pp. 461–467.
- [367] N. Jayaram and D. Maksimović, "Power factor correctors based on coupled-inductor Sepic and Ćuk converters with nonlinear-carrier control," in *Proc. IEEE APEC'98*, 1998, pp. 468–474.
- [368] M. Alonso, A. J. Calleja, E. López, J. Ribas, F. J. Ferrero, and M. Rico, "Analysis and experimental results of a single-stage high-power-factor electronic ballast based on flyback converter," in *Proc. IEEE APEC'98*, 1998, pp. 1142–1148.
- [369] S. Korotkov, V. Meleshin, and S. Fraidlin, "Integrated ac/dc converter with high power factor," in *Proc. IEEE APEC'98*, 1998, pp. 434–440.
- [370] O. García, J. A. Cobas, P. Alou, R. Prieto, and J. Uceda, "A high efficient low output voltage (3.3 V) single stage ac/dc power factor correction converter," in *Proc. IEEE APEC'98*, 1998, pp. 201–207.
- [371] Z. Yang and P. C. Sen, "Recent developments in high power factor switch-mode converters," in *Proc. IEEE CCECE'98*, 1998, pp. 477–480.
- [372] E. Rodríguez, O. García, J. A. Cobos, J. Arau, and J. Uceda, "A single-stage rectifier with PFC and fast regulation of the output voltage," in *Proc. CIEP'98*, 1998, pp. 30–36.
- [373] N. Vázquez, C. Aguilar, J. Alvarez, R. Cáceres, I. Barbi, and J. Arau, "A different approach to build an uninterruptible power supply system with power factor correction," in *Proc. CIEP'98*, 1998, pp. 119–124.
- [374] J. Beristáin, E. Rodríguez, A. Claudio, F. Chan, J. Arau, and J. Sebastián, "An integrated flyback rectifier with fast response using the tibuck converter," in *Proc. IEEE INTELEC'98*, 1998, pp. 588–594.
- [375] H. L. Chow, K. W. Siu, C. K. Tse, and Y.-S. Lee, "A novel method for elimination of line-current harmonics in single-stage PFC switching regulators," *IEEE Trans. Power Electron.*, vol. 13, pp. 75–83, Jan. 1998.
- [376] R. Zane and D. Maksimović, "Nonlinear-carrier control for high-power-factor rectifiers based on up-down switching converters," *IEEE Trans. Power Electron.*, vol. 13, pp. 213–221, Mar. 1998.
- [377] D. van der Berg and J. A. Ferreira, "A family of low EMI unity power factor converters," *IEEE Trans. Power Electron.*, vol. 13, pp. 547–555, May 1998.
- [378] H. M. Suryawanshi and S. G. Tarnekar, "Resonant converter in high power factor, high voltage dc applications," *Proc. IEE—Elect. Power Applicat.*, vol. 45, pp. 307–314, July 1998.
- [379] J. Sebastián, J. A. Martínez, J. M. Alonso, and J. A. Cobos, "Voltage-follower control in zero-current-switched quasiresonant power factor pre-regulators," *IEEE Trans. Power Electron.*, vol. 13, pp. 727–738, July 1998.
- [380] J. Qian, Q. Zhao, and F. C. Lee, "Single-stage single-switch power factor correction ac/dc converters with bus voltage feedback for universal line applications," *IEEE Trans. Power Electron.*, vol. 13, pp. 1079–1088, Nov. 1998.
- [381] Y.-S. Lee, K.-W. Siu, and B.-T. Lin, "Novel single-stage isolated power-factor-corrected power supplies with regenerative clamping," *IEEE Trans. Ind. Applicat.*, vol. 34, pp. 1299–1308, Nov./Dec. 1998.
- [382] B.-T. Roškarič, "Multiplier based on PWM in a double-buck and boost converter," in *Proc. IEEE ISIE'99*, 1999, pp. 1530–1533.
- [383] M. Liaw, T. H. Chen, and W. L. Lin, "Dynamic modeling and control of a step up/down switching-mode rectifier," *Proc. IEE—Elect. Power Applicat.*, vol. 146, no. 3, pp. 317–324, May 1999.
- [384] T.-F. Wu and Y.-K. Chen, "Modeling of single-stage converters with high power factor and fast regulation," *IEEE Trans. Ind. Electron.*, vol. 46, pp. 585–593, June 1999.
- [385] Y.-K. López, L. G. de Vicuña, M. Castilla, J. Matas, and M. López, "Sliding-mode-control design of a high-power-factor buck-boost-rectifier," *IEEE Trans. Ind. Electron.*, vol. 46, pp. 604–612, June 1999.
- [386] S. V. Mollov and A. J. Forsyth, "Analysis, design, and resonant current control for a 1-MHz high-power-factor rectifier," *IEEE Trans. Ind. Electron.*, vol. 46, pp. 620–627, June 1999.
- [387] A. J. García, J. A. Cobos, R. Prieto, P. Alou, and J. Uceda, "An alternative to supply DC voltages with high power factor," *IEEE Trans. Ind. Electron.*, vol. 46, pp. 703–709, Aug. 1999.
- [388] J.-Y. Lee, G.-W. Moon, and M.-J. Youn, "Design of a power-factor-correction converter based on half-bridge topology," *IEEE Trans. Ind. Electron.*, vol. 46, pp. 710–723, Aug. 1999.
- [389] M. T. Madigan, R. W. Erickson, and E. H. Ismail, "Integrated high-quality rectifier-regulators," *IEEE Trans. Ind. Electron.*, vol. 46, pp. 749–758, Aug. 1999.
- [390] T.-F. Wu and Y.-K. Chen, "Analysis and design of an isolated single-stage converter achieving power-factor correction and fast regulation," *IEEE Trans. Ind. Electron.*, vol. 46, pp. 759–767, Aug. 1999.
- [391] G.-C. Hsieh and C.-M. Wang, "ZCS-PWM full-wave boost rectifier with unity power factor and low conduction losses," *IEEE Trans. Ind. Electron.*, vol. 46, pp. 768–779, Aug. 1999.
- [392] C.-J. Tseng and C.-L. Chen, "A novel ZVT PWM Ćuk power-factor corrector," *IEEE Trans. Ind. Electron.*, vol. 46, pp. 780–787, Aug. 1999.
- [393] E. Rodríguez, D. Abud, and J. Arau, "A novel single-stage single-phase DC uninterruptible power supply with power-factor correction," *IEEE Trans. Ind. Electron.*, vol. 46, pp. 1137–1147, Dec. 1999.
- [394] J. M. Alonso, A. J. Calleja, E. López, J. Ribas, and M. R. Scades, "A novel single-stage constant-wattage high-power-factor electronic ballast," *IEEE Trans. Ind. Electron.*, vol. 46, pp. 1148–1158, Dec. 1999.
- [395] V. F. Pires and J. F. Silva, "Half-bridge single-phase buck-boost type AC-DC converter with sliding mode control of the input source current," *Proc. IEE—Elect. Power Applicat.*, vol. 147, no. 1, pp. 61–67, Jan. 2000.
- [396] K.-W. Siu and Y.-S. Lee, "A novel high-efficiency flyback power-factor-correction circuit with regenerative clamping and soft switching," *IEEE Trans. Circuits Syst. I*, vol. 47, pp. 350–356, Mar. 2000.
- [397] K. Matsui, I. Yamamoto, S. Hirose, K. Ando, and T. Kobayashi, "Utility-interactive photovoltaic power conditioning systems with forward converter for domestic applications," *Proc. IEE—Elect. Power Applicat.*, vol. 147, no. 3, pp. 199–205, May 2000.
- [398] S. Buso, G. Spiazzi, and D. Tagliavia, "Simplified control technique for high-power-factor flyback Ćuk and sepic rectifiers operating in CCM," *IEEE Trans. Ind. Applicat.*, vol. 36, pp. 1413–1418, Sept./Oct. 2000.
- [399] G. K. Anderson and F. Blaabjerg, "Current programmed control of a single phase two-switch buck-boost power factor correction circuit," in *Proc. IEEE APEC'01*, 2001, pp. 350–356.
- [400] J. Chen, D. Maksimovic, and R. Erickson, "A new low-stress buck-boost converter for universal-input PFC applications," in *Proc. IEEE APEC'01*, 2001, pp. 343–349.
- [401] M. Ponce, J. Arau, A. Lopez, J. Correa, and J. M. Alonso, "A novel high-power-factor single-switch electronic ballast for compact fluorescent lamps," in *Proc. IEEE APEC'01*, 2001, pp. 454–460.
- [402] J. M. García, J. A. Cobos, R. Prieto, P. Alou, and J. Uceda, "Power factor correction: A survey," in *Proc. IEEE PESC'01*, 2001, pp. 8–13.
- [403] J. Hoyo, J. Arau, and C. Aguilar, "A novel approach to design PFC converters for use in AC UPS applications," in *Proc. IEEE PESC'01*, 2001, pp. 271–276.
- [404] W. Guo and P. K. Jain, "A power factor corrected AC-AC inverter topology using a unified controller for high frequency power distribution architecture," in *Proc. IEEE PESC'01*, 2001, pp. 48–53.
- [405] —, "Comparison between boost and buckboost implemented PFC inverter with build-in soft switching and a unified controller," in *Proc. IEEE PESC'01*, 2001, pp. 472–477.
- [406] C.-F. Jin and T. Ninomiya, "A novel soft-switched single-stage AC-DC converter with low line-current harmonics and low output-voltage ripple," in *Proc. IEEE PESC'01*, 2001, pp. 660–665.
- [407] L. Peterson, "Input-current-shaper based on a modified SEPIC converter with low voltage stress," in *Proc. IEEE PESC'01*, 2001, pp. 666–671.
- [408] L. Aguilar, A. Ruiz, F. Canales, and F. Lee, "Analysis of the half-bridge boost rectifier as integrated electronic ballast with power factor correction," in *Proc. IEEE PESC'01*, 2001, pp. 707–712.
- [409] M. M. A. Rahman and A. K. S. Bhat, "A high-frequency transformer isolated single-phase single-stage soft-switched AC-to DC bridge converter," in *Proc. IEEE PESC'01*, 2001, pp. 718–723.
- [410] J. Chen and C. Chang, "Analysis and design of SEPIC converter in boundary condition mode for universal-line power factor correction applications," in *Proc. IEEE PESC'01*, 2001, pp. 742–747.

- [411] C. Qiao and K. M. Smedley, "A universal input single-stage power supply with power factor correction and automatic voltage clamping," in *Proc. IEEE PESC'01*, 2001, pp. 907–913.
- [412] F. Tao, Q. Zhao, F. C. Lee, and N. Onishi, "Single-stage power-factor-correction electronic ballast with a wide continuous dimming control for fluorescent lamps," in *Proc. IEEE PESC'01*, 2001, pp. 926–931.
- [413] D. C. Lu, D. K. W. Cheng, and Y. S. Lee, "A novel single-phase power-factor-corrected voltage regulator," in *Proc. IEEE PESC'01*, 2001, pp. 936–941.
- [414] J. Zhang, F. C. Lee, and M. M. Jovanović, "A novel interleaved discontinuous-current-mode single-stage power-factor-correction technique with universal-line input," in *Proc. IEEE PESC'01*, 2001, pp. 1007–1012.
- [415] Y. T. Feng, G. L. Tsai, and Y. Y. Tzou, "Digital control of a single-stage single-switch flyback PFC AC/DC converter with fast dynamic response," in *Proc. IEEE PESC'01*, 2001, pp. 1251–1256.
- [416] V. A. Anunciada and R. D. Monteiro, "Single-stage full bridge converter with power factor correction," in *Proc. IEEE PESC'01*, 2001, pp. 1566–1570.
- [417] R. D. Hernández, N. Vázquez, E. Rodríguez, R. Osorio, and J. Arau, "Voltage regulator with unity power factor and high efficiency," in *Proc. IEEE PESC'01*, 2001, pp. 1653–1658.
- [418] J. Fernández, A. Ferreres, P. Villegas, J. Sebastián, and L. Álvarez, "Size comparison between a half bridge converter with an AICS and a two-stage boost converter operating in a narrow input voltage range," in *Proc. IEEE PESC'01*, 2001, pp. 1793–1798.
- [419] M. Castilla, L. G. D. Vicuña, and O. López, "Analysis of a new quantum resonant rectifier topology with high-quality input waveforms," in *Proc. IEEE PESC'01*, 2001, pp. 1812–1817.
- [420] O. Venkatraman and A. K. S. Bhat, "Small-signal analysis of a soft-switching, single-stage, two switch AC-to-DC converter," in *Proc. IEEE PESC'01*, 2001, pp. 1824–1830.
- [421] C. Yip, D. Y. Qiu, H. S. H. Chung, and S. Y. R. Hui, "A novel voltage sensorless control technique for a bi-directional AC/DC converter," in *Proc. IEEE PESC'01*, 2001, pp. 1899–1904.
- [422] N. P. Papanikolou, E. J. Rikos, and E. C. Tatakis, "Novel technique for power factor correction in flyback converters," *Proc. IEE—Elect. Power Applicat.*, vol. 148, pp. 177–186, Mar. 2001.
- [423] J. Sebastian, A. Fernandez, P. J. Villegas, M. M. Hernando, and J. M. Lopera, "Improved active input current shapers for converters with symmetrically driven transformer," *IEEE Trans. Ind. Applicat.*, vol. 37, pp. 592–600, Mar./Apr. 2001.
- [424] L. Huber, J. Zhang, M. M. Jovanovic, and F. C. Lee, "Generalized topologies of single-stage input-current-shaping circuits," *IEEE Trans. Power Electron.*, vol. 16, pp. 508–513, July 2001.
- [425] F. C. Morrison and M. G. Egan, "A new modulation strategy for a buck-boost input AC/DC converter," *IEEE Trans. Power Electron.*, vol. 16, pp. 34–45, Jan. 2001.
- [426] M. G. Qiao and K. M. Smedley, "A topology survey of single-stage power factor corrector with a boost type input-current-shaper," *IEEE Trans. Power Electron.*, vol. 16, pp. 360–368, May 2001.
- **Bidirectional Buck–Boost Converters**
- [427] K. M. Bogdan and T. Citko, "Application of the AC link in power conversion systems," in *Proc. EPE'97*, 1997, pp. 4.459–4.464.
- **Unidirectional Multilevel Converters**
- [428] M. T. Zhang, Y. Jiang, F. C. Lee, and M. M. Jovanovic, "Single-phase three-level boost power factor correction converter," in *Proc. IEEE APEC'95*, 1995, pp. 434–439.
- [429] D. Maksimovic and R. Erickson, "Universal-input, high-power-factor, boost doubler rectifiers," in *Proc. IEEE APEC'95*, 1995, pp. 459–465.
- [430] J. C. Salmon, "Circuit topologies for PWM boost rectifiers operated from 1-phase and 3-phase ac supplies and using either single or split dc rail voltage output," in *Proc. IEEE APEC'95*, 1995, pp. 473–479.
- [431] P. Bartholomeus and P. L. Moigne, "A 3 kW unit-power-factor multilevel rectifier based on a double boost converter," in *Proc. EPE'97*, 1997, pp. 4.204–4.209.
- [432] Y. Jiang, "High efficiency boost converters for wide range single-phase AC input power factor correction," in *Proc. IEEE INTELEC'98*, 1998.
- [433] B. R. Lin and H. H. Lu, "Multilevel PWM for single-phase power factor pre-regulator," in *Proc. IEEE ISCAS'99*, 1999, pp. VI-57–VI-60.
- [434] —, "Single-phase three-level PWM rectifier," in *IEEE PEDS'99*, 1999, pp. 63–68.
- [435] B. R. Lin, C. N. Wang, and H. H. Lu, "Multilevel AC/DC/AC converter by using three-level boost rectifier and five-level diode clamped inverter," in *IEEE PEDS'99*, 1999, pp. 444–448.
- [436] B. R. Lin and H. H. Lu, "Multilevel AC/DC/AC converter for AC drives," *Proc. IEE—Elect. Power Applicat.*, vol. 146, pp. 397–406, July 1999.
- [437] —, "A new control scheme for single-phase PWM multilevel rectifier with power-factor correction," *IEEE Trans. Ind. Electron.*, vol. 46, pp. 820–829, Aug. 1999.
- [438] —, "Single-phase three-level rectifier and random PWM inverter drives," *IEEE Trans. Aerosp. Electron. Syst.*, vol. 35, pp. 1334–1342, Oct. 1999.
- [439] —, "Single-phase three-level PWM rectifier with power-factor correction," *Eur. Trans. Elect. Power*, vol. 9, pp. 355–362, Nov./Dec. 1999.
- [440] —, "A novel PWM scheme for single-phase three-level power-factor-correction circuit," *IEEE Trans. Ind. Electron.*, vol. 47, pp. 245–252, Apr. 2000.
- [441] C. M. T. Cruz and I. Barbi, "Unit power factor active clamping single phase three level rectifier," in *Proc. IEEE APEC'01*, 2001, pp. 331–336.
- [442] B. R. Lin and H. H. Lu, "Single-phase three-level rectifier with high power-factor," *Eur. Trans. Elect. Power*, vol. 11, pp. 31–37, Jan./Feb. 2001.
- **Bidirectional Multilevel Converters**
- [443] B. Yu and U. Kunz, "Current control of a current-source single-phase PWM-converter with low reaction on mains," in *Proc. EPE'89*, 1989, pp. 1561–1564.
- [444] H. Stemmler, "Power electronics in electric traction applications," in *Proc. IEEE IECON'93*, 1993, pp. 707–713.
- [445] T. A. Meynard and H. Foch, "Multilevel converters and derived topologies for high power conversion," in *Proc. IEEE IECON'95*, 1995, pp. 21–26.
- [446] J. S. Lai and F. Z. Peng, "Multilevel converters—A new breed of power converters," *IEEE Trans. Ind. Applicat.*, vol. 32, pp. 509–517, May/June 1996.
- [447] F. Z. Steimel, "Electric railway traction in Europe," *IEEE Ind. Applicat. Mag.*, vol. 2, pp. 6–17, Nov./Dec. 1996.
- [448] F. Z. Osawa, Y. Matsumoto, T. Mizukami, and S. Ozaki, "A state-space modeling and a neutral point voltage control for an NPC power converter," in *Proc. IEEE PCC-Nagaoka'97*, 1997, pp. 225–230.
- [449] G. Hilpert and T. Zullig, "Integrated power module in IGBT technology for modular power traction converters," in *Proc. EPE'97*, 1997, pp. 1.106–1.111.
- [450] S. Inarida, W. Miyake, N. Mizuguchi, T. Haryama, and K. Hoshi, "Development of three-level power converter system using IGBT's for Shinkansen trains," in *Proc. EPE'97*, 1997, pp. 1.216–1.220.
- [451] P. Oom, I. Gehrke, C. Endrikat, and E. D. Lettner, "MITRAC drive control unit for IGBT converters," in *Proc. EPE'97*, 1997, pp. 1.221–1.226.
- [452] L. Fratelli and G. Giannini, "Power traction converter with 3.3 kV IGBT modules," in *Proc. EPE'97*, 1997, pp. 1.232–1.237.
- [453] K. H. Ketteler, J. Scheibengraf, U. Meyer, and R. Reichelt, "Next generation high power locomotive converter of 12X," in *Proc. EPE'97*, 1997, pp. 3.422–3.427.
- [454] N. Schibli and A. Rufer, "Single-phase and three-phase multilevel converters for traction systems 50 Hz/16.66 Hz," in *Proc. EPE'97*, 1997, pp. 4.210–4.215.
- [455] A. Damiano, M. Fracchia, M. Marchesoni, and I. Marongiu, "A new approach in multilevel power conversion," in *Proc. EPE'97*, 1997, pp. 4.216–4.221.
- [456] J. B. Saada, P. Colignon, P. Thomas, F. Avaux, L. Delporte, and P. Mathys, "High power factor, high efficiency bi-directional GTO rectifiers for locomotive application," in *Proc. EPE'97*, 1997, pp. 4.298–4.304.
- [457] J. Shen and N. Butterworth, "Analysis and design of a three-level PWM converter system for railway-traction applications," *Proc. IEE—Elect. Power Applicat.*, vol. 144, no. 5, pp. 357–371, Sept. 1997.
- [458] J. G. Mayordomo, M. Lopez, R. Asensi, L. F. Beites, J. M. Rodriguez, and J. Bueno, "A general treatment of traction PWM converters for load flow and harmonic penetration studies," in *Proc. IEEE ICHQPP'98*, 1998, pp. 685–692.
- [459] M. Madrigal, O. Anaya, E. Acha, J. G. Mayordomo, and R. Asensi, "Single-phase PWM converters array for three-phase reactive power compensation. Part I: Time domain studies," in *Proc. IEEE ICHQPP'00*, 2000, pp. 541–547.
- [460] R. Lin, Y. L. Hou, and H. K. Chiang, "Implementation of a three-level rectifier for power factor correction," *IEEE Trans. Power Electron.*, vol. 15, pp. 891–900, Sept. 2000.
- [461] R. Lin, H. H. Lu, and H. C. Tsay, "Control technique for high power factor multilevel rectifier," *IEEE Trans. Aerosp. Electron. Syst.*, vol. 37, pp. 226–241, Jan. 2001.
- [462] R. Lin and Y. L. Hou, "Simplified control method for single-phase multilevel active rectifier with current harmonic filtering characteristics," *Proc. IEE—Elect. Power Applicat.*, vol. 148, pp. 85–96, Jan. 2001.
- [463] —, "High-power-factor single-phase capacitor clamped rectifier," *Proc. IEE—Elect. Power Applicat.*, vol. 148, pp. 214–224, Mar. 2001.



**Bhim Singh** (SM'99) was born in Rahamapur, India, in 1956. He received the B.E. (Electrical) degree from the University of Roorkee, Roorkee, India, in 1977, and the M.Tech. and Ph.D. degrees from the Indian Institute of Technology (IIT), New Delhi, India, in 1979 and 1983, respectively.

In 1983, he joined the Department of Electrical Engineering, University of Roorkee, as a Lecturer. In 1988, he became a Reader. In December 1990, he joined the Department of Electrical Engineering, IIT, New Delhi, India, as an Assistant Professor. He became an Associate Professor in 1994 and a full Professor in 1997. His fields of interest include power electronics, electrical machines and drives, active filters, static var compensators, and analysis and digital control of electrical machines.

Prof. Singh is a Fellow of the Indian National Academy of Engineering, Institution of Engineers (India), and Institution of Electronics and Telecommunication Engineers and a Life Member of the Indian Society for Technical Education, System Society of India, and National Institution of Quality and Reliability.

Prof. Singh is a Fellow of the Indian National Academy of Engineering, Institution of Engineers (India), and Institution of Electronics and Telecommunication Engineers and a Life Member of the Indian Society for Technical Education, System Society of India, and National Institution of Quality and Reliability.



**Brij N. Singh** (S'93-M'98) was born in Shahpur Charki, India, in 1968. He received the B.E. degree from Madan Mohan Malviya Engineering College, Gorakhpur, India, in 1989, the M.E. degree from the University of Roorkee, Roorkee, India, in 1991, and the Ph.D. degree from the Indian Institute of Technology, New Delhi, India, in 1996.

In 1996, he joined École de technologie supérieure, Montreal, QC, Canada, as a Post-Doctoral Fellow to work in the area of FACTS and Power Quality. In 1999, he joined Concordia University, Montreal, QC, Canada, where he worked in the area of power supplies for telecommunication and computer systems. In January 2000, he joined the Department of Electrical Engineering and Computer Science, Tulane University, New Orleans, LA, as an Assistant Professor. His fields of interest include power quality, power supplies, digital control of electrical machines, renewable energy sources, and new energy storage devices.

Dr. Singh is a Life Member of the IEEE Power Electronics and IEEE Industrial Electronics Societies and a Member of the IEEE Industry Applications and IEEE Power Engineering Societies.

Dr. Singh is a Life Member of the IEEE Power Electronics and IEEE Industrial Electronics Societies and a Member of the IEEE Industry Applications and IEEE Power Engineering Societies.



**Amrish Chandra** (SM'99) was born in India in 1955. He received the B.E. degree from the University of Roorkee, Roorkee, India, in 1977, the M. Tech. degree from the Indian Institute of Technology, New Delhi, India, in 1980, and the Ph.D. degree from the University of Calgary, Calgary, AB, Canada, in 1987.

He was a Lecturer and later a Reader at the University of Roorkee. Since 1994, he has been a Professor in the Electrical Engineering Department, École de technologie supérieure, University of Québec, Montreal, QC, Canada. His main research interests are power quality, active filters, static reactive power compensation, and flexible AC transmission systems (FACTS).

Dr. Chandra is a Member of the Order of Engineers of Quebec, Canada.

Dr. Chandra is a Member of the Order of Engineers of Quebec, Canada.



**Kamal Al-Haddad** (S'82-M'88-SM'92) was born in Beirut, Lebanon, in 1954. He received the B.Sc.A. and the M.Sc.A. degrees from the University of Québec à Trois-Rivières, Canada, and the Ph.D. degree from the Institut National Polytechnique, Toulouse, France, in 1982, 1984, and 1988, respectively.

From June 1987 to June 1990, he was a Professor in the Engineering Department, Université du Québec à Trois Rivières. In June 1990, he joined the teaching staff as a Professor in the Electrical Engineering Department, École de Technologie Supérieure, Montreal, QC, Canada. He has held the Canada Research Chair in Energy Conversion and Power Electronics since 2002. His fields of interest are static power converters, harmonics and reactive power control, and switch-mode and resonant converters, including the modeling, control, and development of industrial prototypes for various applications. He is a coauthor of the Power System Blockset software of Matlab.

Dr. Al-Haddad is a Member of the Order of Engineering of Quebec, Canada, and the Canadian Institute of Engineers.



**Ashish Pandey** (S'01) received his B.S. and M.S. degrees in electrical engineering from Tashkent State Technical University, Tashkent, U.S.S.R. He is currently working toward the Ph.D. degree at the Indian Institute of Technology, New Delhi, India.

He is currently engaged in research on power-factor-corrected converters. His research includes developing conventional/nonlinear control schemes for power converters. He is also investigating use of intelligent controls like fuzzy logic controllers and neural networks in enhancing the performance of power converters.

performance of power converters.



**Dwarka P. Kothari** (SM'03) received the B.E. (Electrical), M.E. (Power Systems), and Doctoral degree in electrical engineering from the Birla Institute of Technology and Science, Pilani, India.

He is Professor, Centre for Energy Studies, and Deputy Director (Admn), Indian Institute of Technology, New Delhi, India. His activities include optimal hydro-thermal scheduling, unit commitment, maintenance scheduling, energy conservation (loss minimization and voltage control), and power quality and energy systems planning and modeling.

He has guided 16 Ph. D. scholars and has contributed extensively in these areas as evidenced by the 335 research papers authored by him which have been published in various national and international journals. He has also authored 15 books on power systems. He was a Visiting Professor at the Royal Melbourne Institute of Technology, Melbourne, Australia, in 1982 and 1989. He was a National Science Foundation Fellow at Purdue University, West Lafayette, IN, in 1992. He has visited and delivered several invited talks and keynote addresses at both national and international conferences on the topic of electric energy systems. He was Principal of Visvesvaraya Regional Engineering College, Nagpur, India, during 1997-1998.

Prof. Kothari has received several best paper awards and gold medals for his work.